

securistyle

HD HEAVY DUTY



Sterling

INTELLIGENT



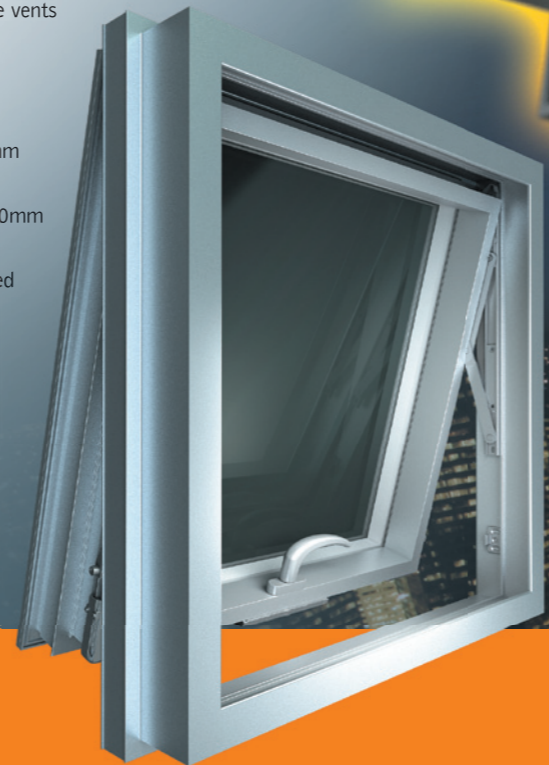
HEAVY DUTY Window Locks

securistyle

THE ALL NEW COMPACT STERLING HEAVY DUTY WINDOW LOCK, TOUGHER, STRONGER, SLIMMER AND ALL TOGETHER SMARTER THAN THE COMPETITION!

STERLING LOCK DELIVERS A MYRIAD OF INTELLIGENT FEATURES

- A compact window lock that will not interfere with the internal weather gaskets of the window and will fit any drive bar.
- Fastens to Euro-groove using a 5mm Hex key without the need for transit screws. This allows quick and easy fitting of the handle at the final installation stage whilst minimising potential damage of handles.
- Product materials are of a high specification providing excellent corrosion resistance and will meet 480hrs corrosion resistance class 5 of BS EN 1670.
- Left and right hand variants available for symmetric installation on dual handle applications.
- Polymer bushing on all pivot surfaces reducing operational friction and wear improving durability and reliability.
- Inherently strong design allows lock to be used on large vents with many locking points.
- Investment cast stainless steel 7mm square drive gear.
- Endurance tested to in excess of 30,000 operations.
- Integrated euro-groove fitting system with 14mm, 15mm and 16mm groove width options.
- 18mm bi-directional throw. Available with 6mm and 10mm drive spigots.
- Fully austenitic to compliment Sterling, Storm Balanced and Parallel Hinges.
- 12 year guarantee

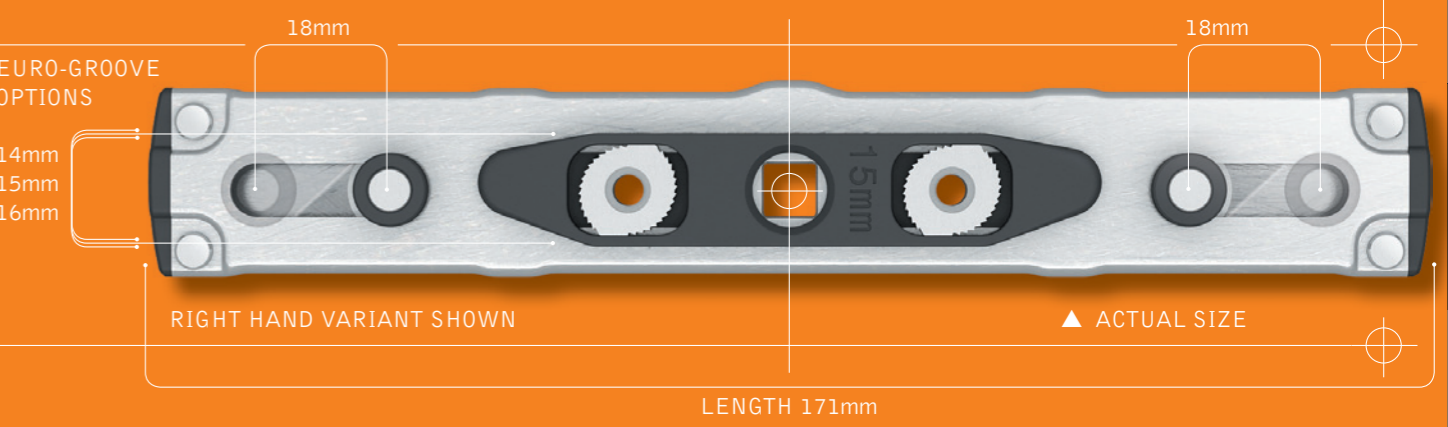


HD HEAVY DUTY

LOCK SOLUTIONS



Sterling



Sterling Window Lock Specification



PART CODES AND VARIANTS

Part Code	Eurogroove Fitting System Width (mm)			Drive Spigot Diameter (mm)	
	14	15	16	6	10
SLT1406*	•			•	
SLT1410*	•				•
SLT1506*		•		•	
SLT1510*		•			•
SLT1606*			•	•	
SLT1610*			•		•

*Add L or R depending on handed requirement.

MATERIALS

- Steel Components -304, 316 Stainless Steel
- Plastic Components - Acetal
- Lubricant - Lithium based multi-purpose grease

MAINTENANCE

- Following installation and prior to initial operation ensure gearbox is clear of any building debris.
- Check the tightness of handle/gearbox fixing screws every 12 months.
- May be cleaned using water or a mild detergent on a damp cloth. Do not use acid, alkaline, solvent or abrasive cleaning agents or materials.

COMPATIBLE PRODUCTS

- Sterling Hinges
- Storm Balanced Hinges
- Storm Egress
- Parallel Plus
- Rushmore
- Sterling/Storm Fixed Restrictors
- Stay Open Restrictor
- Detachable Restrictor
- Pull-In Blocks
- Separate Adjuster
- Cavity Fit Restrictor

TESTING AND ACCREDITATION

- Neutral Salt Spray to BS EN 1670 Class 5.
- Endurance tested to 30,000 operations.

ENVIRONMENTAL CONSTRAINTS

- Normal operating temperature range is -20°C to +60°C.
- Normal operating humidity range is 10% RH to 95% RH.
- Materials used will not degrade, due to ultra violet light or when using neutral acidity non solvent cleaning chemicals, at a rate faster than other parts of the window assembly.



12
YEAR GUARANTEE



Need more information?
please call +44 (0) 1242 221 200
or visit our website: www.securistyle.co.uk

ADDITIONAL TECHNICAL DATA FOR THESE PRODUCTS CAN BE OBTAINED FROM SECURISTYLE PLEASE CALL: +44 (0)1242 221200
or E-mail: info@securistyle.co.uk



Securistyle Ltd
Kingsmead Industrial Estate, Princess Elizabeth Way
Cheltenham, Gloucestershire GL51 7RE, UK

Tel: +44 (0) 1242 221200
Fax: +44 (0)1242 228194 / 520828

E-mail: info@securistyle.co.uk
Website: www.securistyle.co.uk

Due to our policy of continual improvement we reserve the right to alter specifications without notice. It is the responsibility of the window manufacturer to ensure that the finished window meets the required performance and safety specification.

All transactions are subject to our standard conditions of supply, which are available on request.

* Conditions apply.

STERLING WINDOW LOCK
Specification



STORM HINGE
TYPE
HEAVY DUTY FRICTION HINGE

FEATURING
UNRIVALLED WEATHER SEALING CAPABLE OF ACHIEVING AAMA 101/I.S.2 - 97 SECTION 4.1 AW90 RATING (135 LB/FT² 6,470 PA) AUSTENITIC 304 STAINLESS STEEL THROUGHOUT CAPABLE OF SUPERIOR CARRYING CAPACITIES. MINIMISES INVENTORY AND 12 YEAR GUARANTEE*

STERLING HINGE
TYPE
HEAVY DUTY FRICTION HINGE

FEATURING
PROVEN UP TO 30,000 FULL CYCLES AND CONFORMS TO ALL INTERNATIONAL STANDARDS, INCLUDING THE UK BS 6375; THE NORTH AMERICAN AAMA 904.1; AND THE SINGAPORE STANDARD 212:2004. SELF-BALANCING HINGE WITH UNRIVALLED WEATHER SEALING MADE FROM HIGHEST GRADE (304) AUSTENITIC STAINLESS STEEL FOR MAXIMUM PERFORMANCE IN THE MOST CORROSIVE ENVIRONMENTS. 12 YEAR GUARANTEE*

RUSHMORE HINGE
TYPE
EXTRA HEAVY DUTY BALANCING HINGE

FEATURING
SPECIFICALLY DESIGNED FOR LARGE OPENINGS IN CURTAIN WALLING. EACH WINDOW CAN BE EITHER MECHANICALLY OR MOTOR DRIVEN TO CONTROL OPENING AND CLOSING OR MANUALLY OPERATED. HELPS PROVIDE NATURAL VENTILATION OR SMOKE RELEASE IN COMMERCIAL BUILDINGS AND EASILY COPES WITH TOP OR BOTTOM HUNG VENTS OF UP TO 350KG AND 4.2 METRES HIGH OR LARGER SUBJECT TO TESTING.

*TERMS AND CONDITIONS APPLY



PARALLEL HINGE
TYPE
HEAVY DUTY PARALLEL HINGE SYSTEM

FEATURING
AESTHETICALLY PLEASING SIGHTLINES, MAINTAINING THE FACADE REFLECTIVE QUALITIES, WITH BUILT-IN SAFETY FEATURES. WINDOWS EQUIPPED WITH PARALLEL PLUS PROVIDE THE ULTIMATE IN NATURAL VENTILATION BY PROVIDING A BALANCED AIR FLOW AROUND THE ENTIRE OPENING. 12 YEAR GUARANTEE

ACCESSORIES
TYPE
RESTRICTORS, PULL-IN BLOCKS & ADJUSTMENT BLOCKS

RESTRICTORS
SECURISTYLE CAN OFFER A VARIETY OF DIFFERENT RESTRICTORS TO SUIT YOUR REQUIREMENTS PROVIDING YOU WITH RESTRICTED OPENINGS FOR TOP OR SIDE HUNG VENTS INCLUDING: STAY OPEN RESTRICTOR, CAVITY FIT RESTRICTOR, FIXED RESTRICTOR, DETACHABLE RESTRICTORS

PULL-IN BLOCKS
PULL-IN BLOCKS WILL MAINTAIN AN EFFECTIVE WEATHER SEAL THROUGHOUT THE OPERATING LIFE OF THE VENT. OPTIMISATION OF THE COMPRESSION CAN BE ACHIEVED BY MEANS OF THE ADJUSTABLE FRAME COMPONENT.

ADJUSTMENT BLOCKS
USED ON TOP HUNG VENTS OVER 100KG AND OPTIONAL ON LIGHTER VENTS AND PARALLEL PLUS. CAM ADJUSTMENT DEVICE FOR +/- 2MM VERTICAL ADJUSTMENT BY SIMPLE ALLEN KEY OPERATION.

PORTFOLIO

PORTFOLIO

PORTFOLIO

PORTFOLIO

