

Application

For residential and commercial folding doors where weatherproofing of the opening is required.

This section covers Weatherfold 4c 75 hardware suitable for non mortice timber applications.

Brio Weatherfold 4c hardware system eliminates the need for a reinforced structural beam above the opening, as all the doors' weight is carried by large diameter horizontal bottom rollers. Rollers come standard with stainless steel precision bearings.

Door Specifications

Track System:	Weatherfold 4c 75
Max Panel Height	3300mm
Max Panel Weight	75kg
Max Panel Width	1000mm
Panel Thickness	35-68mm
Max No. of Panels	8 each direction

Hardware Specifications

Top Track:	981
Material	Aluminium in Clear Anodised
Standard Lengths	2000mm, 3000mm, 4000mm and 6000mm

Roller Sets:	
Intermediate Hanger Set:	Includes Roller, Guide and Hinge BWC4-75H
End Hanger Set:	Includes Roller and Guide
left	BWC2L-75H
right	BWC2R-75H

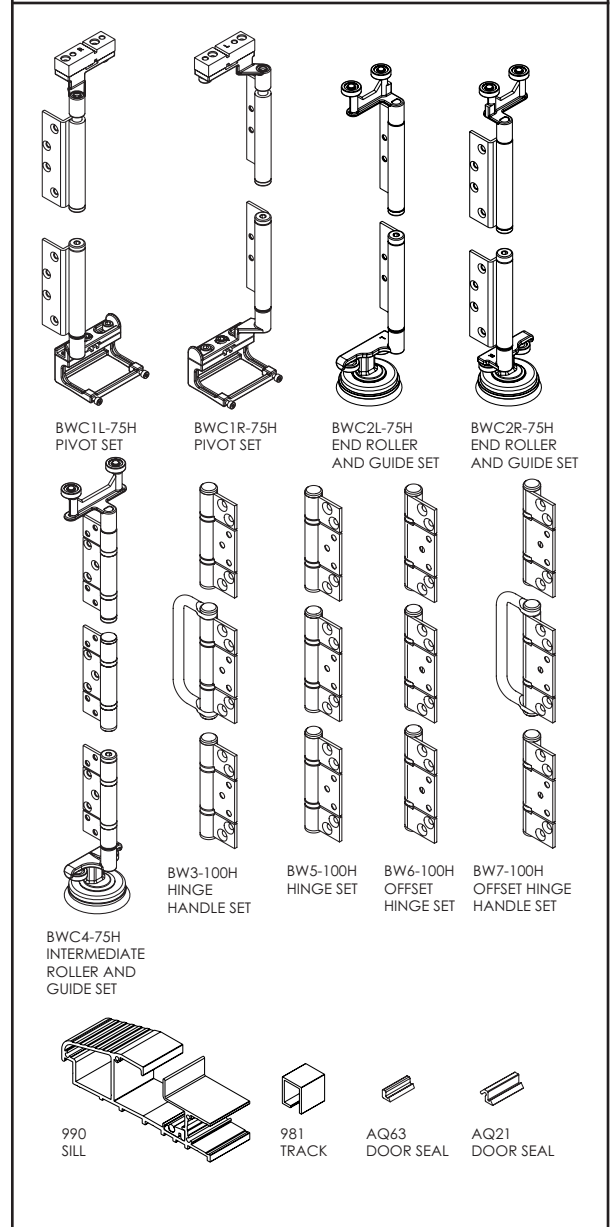
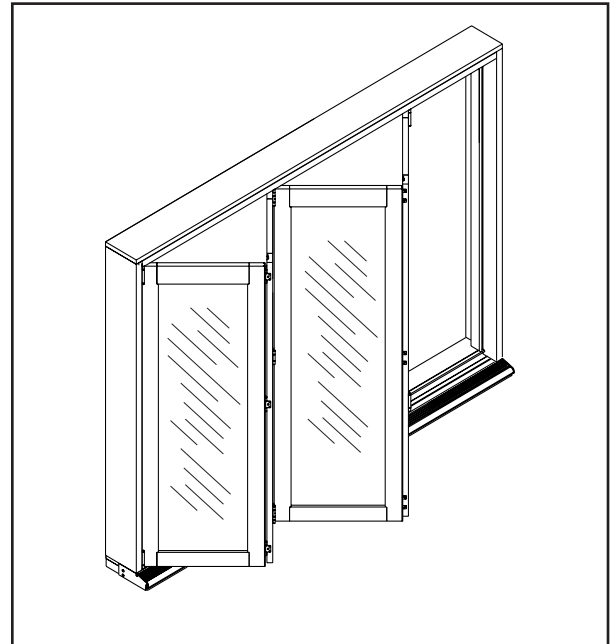
Pivot Set:	Top & Bottom Pivots
left	BWC1L-75H
right	BWC1R-75H

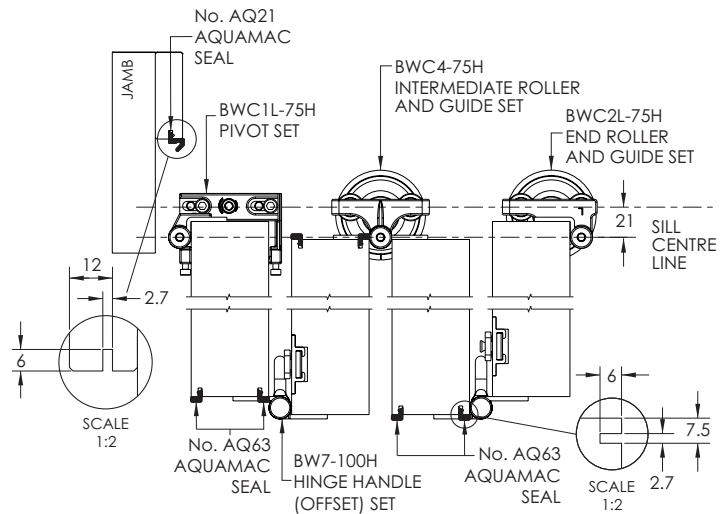
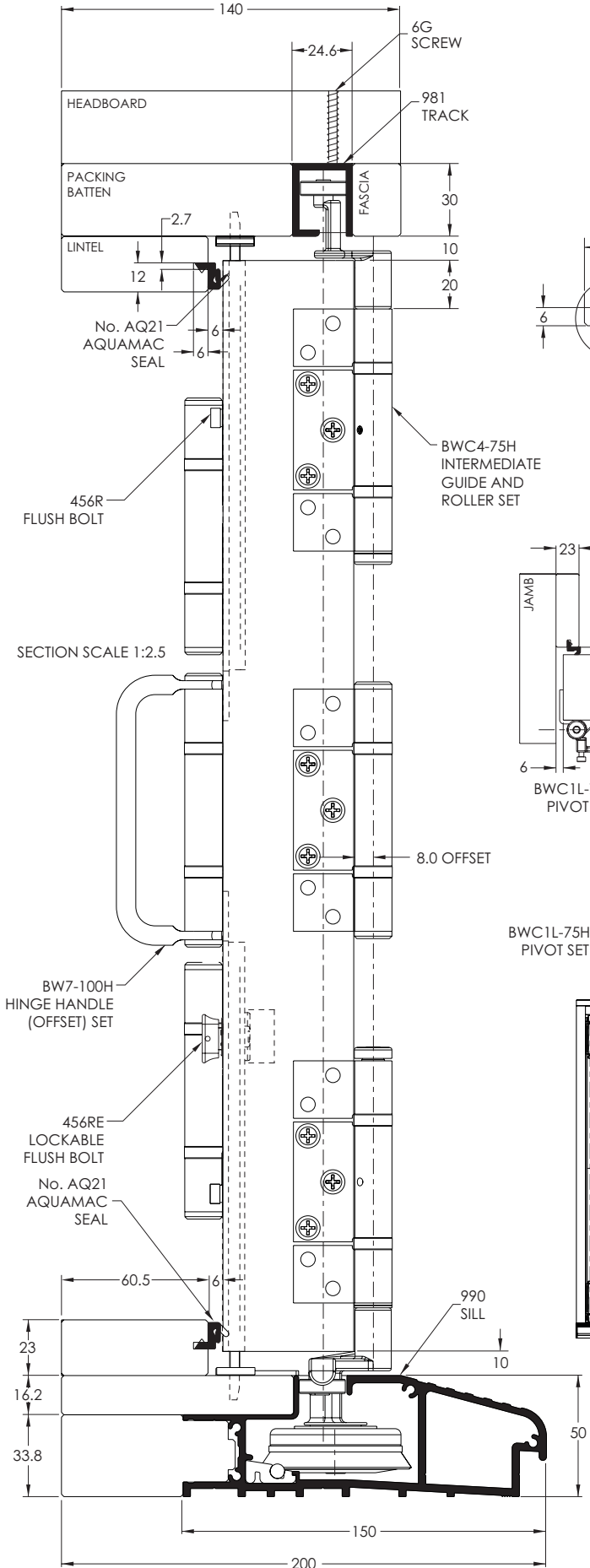
Hinge Sets:	
Hinge Handle Set	BW3-100H
Offset Hinge Handle Set	BW7-100H
Hinge Set	BW5-100H
Offset Hinge Set	BW6-100H

Bottom Sill:	990
Material	Aluminium in Clear Anodised
Standard lengths	2000mm, 3000mm, 4000mm and 6000mm

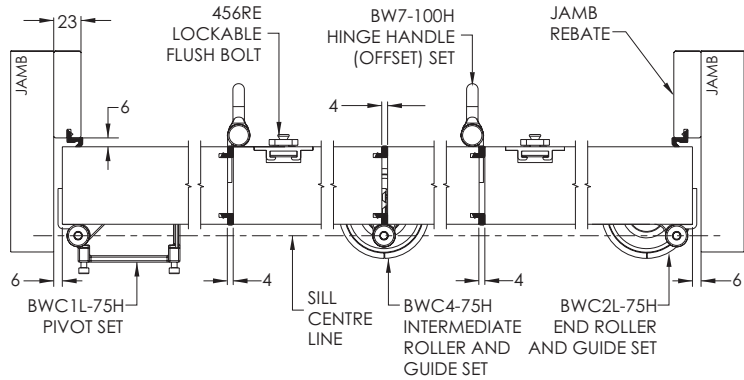
Accessories:	
Flush Bolt - 190mm	456R
Flush Bolt Lockable - 190mm	456RE
Flush Bolt - 450mm	456RL
Frame Seal - White	AQ21W
Frame Seal - Brown	AQ21B
Door Seal - White	AQ63W
Door Seal - Brown	AQ63B

Hardware Finish:	
Hardware:	(SS) Satin Stainless, (PS) Polished Stainless
Flushbolts:	(SN) Satin Nickel, (PN) Polished Nickel

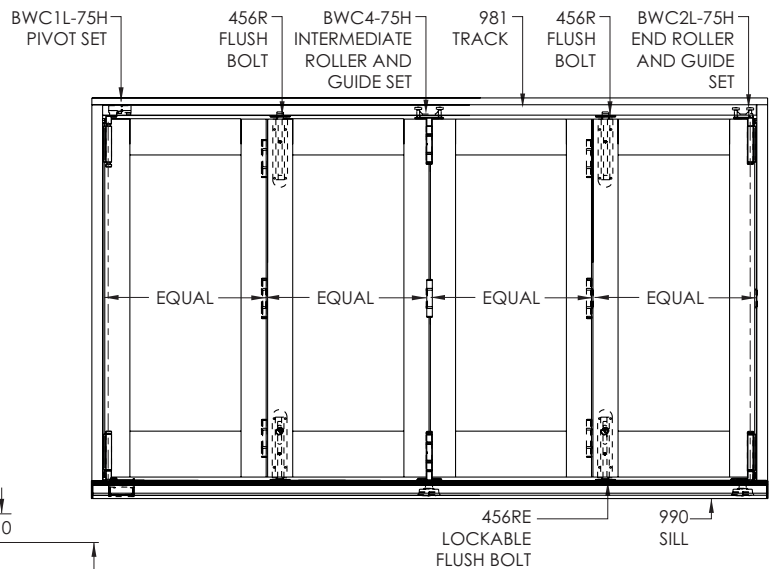




4+0 PANEL OUTWARD OPENING SYSTEM - OPEN
(SHOWN WITHOUT TRACK OR HEAD) SECTION SCALE 1:5



4+0 PANEL OUTWARD OPENING SYSTEM - CLOSED
(SHOWN WITHOUT TRACK OR HEAD) SECTION SCALE 1:5



4+0 PANEL OUTWARD OPENING SYSTEM - CLOSED
TYPICAL OUTSIDE ELEVATION

Application

For residential and commercial folding doors where weatherproofing of the opening is required.

This section covers Weatherfold 4c 75 hardware suitable for aluminium timber composite door applications.

Brio Weatherfold 4c hardware system eliminates the need for a reinforced structural beam above the opening, as all the doors' weight is carried by large diameter horizontal bottom rollers. Rollers come standard with stainless steel precision bearings.

Door Specifications

Track System:	Weatherfold 4c 75
Max Panel Height	3300mm
Max Panel Weight	75kg
Max Panel Width	1000mm
Panel Thickness	51mm min
Aluminium Cladding	18mm max
Max No. of Panels	8 each direction

Hardware Specifications

Top Track:	981
Material	Aluminium in Clear Anodised
Standard Lengths	2000mm, 3000mm, 4000mm and 6000mm

Roller Sets:	
Intermediate Hanger Set:	Includes Roller, Guide and Hinge BWC4-75HA
End Hanger Set:	Includes Roller and Guide
left	BWC2L-75A
right	BWC2R-75A

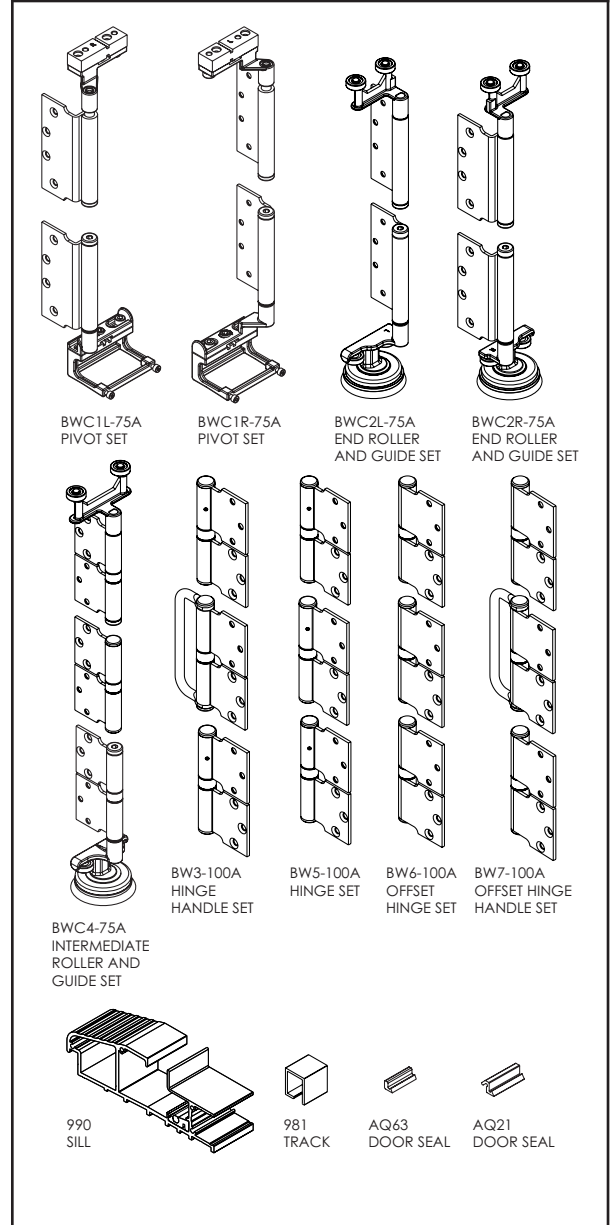
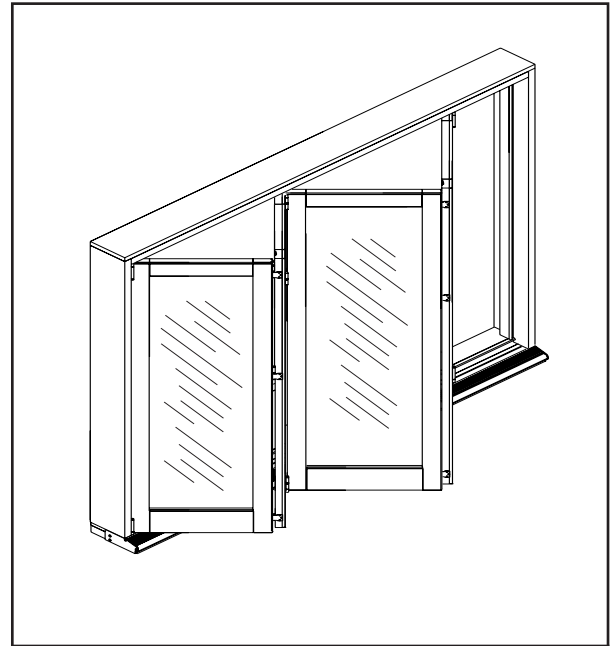
Pivot Set:	Top & Bottom Pivots
left	BWC1L-75A
right	BWC1R-75A

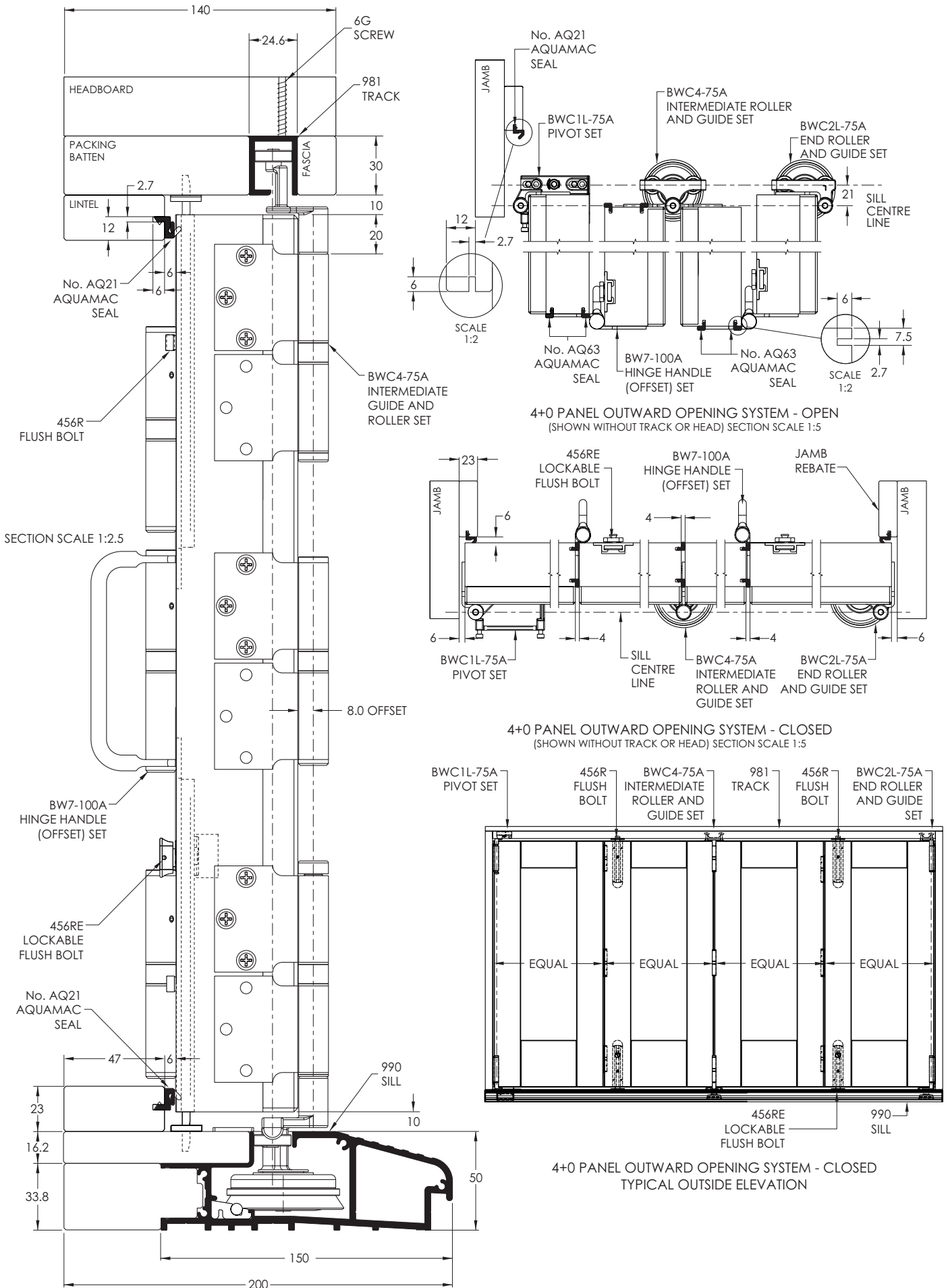
Hinge Sets:	
Hinge Handle Set	BW3-100A
Offset Hinge Handle Set	BW7-100A
Hinge Set	BW5-100A
Offset Hinge Set	BW6-100A

Bottom Sill:	990
Material	Aluminium in Clear Anodised
Standard lengths	2000mm, 3000mm, 4000mm and 6000mm

Accessories:	
Flush Bolt - 190mm	456R
Flush Bolt Lockable - 190mm	456RE
Flush Bolt - 450mm	456RL
Frame Seal - White	AQ21W
Frame Seal - Brown	AQ21B
Door Seal - White	AQ48W
Door Seal - Brown	AQ48B

Hardware Finish:	
Hardware: (SS) Satin Stainless, (PS) Polished Stainless	
Flushbolts: (SN) Satin Nickel, (PN) Polished Nickel	





Application

For residential and commercial folding doors where weatherproofing of the opening is required.

This section covers Weatherfold 4c 75 hardware suitable for mortice radius timber applications.

Brio Weatherfold 4c hardware system eliminates the need for a reinforced structural beam above the opening, as all the doors' weight is carried by large diameter horizontal bottom rollers. Rollers come standard with stainless steel precision bearings.

Door Specifications

Track System:	Weatherfold 4c 75
Max Panel Height	3300mm
Max Panel Weight	75kg
Max Panel Width	1000mm
Panel Thickness	35-68mm
Max No. of Panels	8 each direction

Hardware Specifications

Top Track:	981
Material	Aluminium in Clear Anodised
Standard Lengths	2000mm, 3000mm, 4000mm and 6000mm

Roller Sets:	
Intermediate Hanger Set:	Includes Roller, Guide and Hinge BWC4-75T
End Hanger Set:	Includes Roller and Guide
left	BWC2L-75T
right	BWC2R-75T

Pivot Set:	Top & Bottom Pivots
left	BWC1L-75T
right	BWC1R-75T

Hinge Sets:	
Hinge Handle Set	BW3-100T
Offset Hinge Handle Set	BW7-100T
Hinge Set	BW5-100T
Offset Hinge Set	BW6-100T

Bottom Sill:	990
Material	Aluminium in Clear Anodised
Standard lengths	2000mm, 3000mm, 4000mm and 6000mm

Accessories:	
Flush Bolt - 190mm	456R
Flush Bolt Lockable - 190mm	456RE
Flush Bolt - 450mm	456RL
Frame Seal - White	AQ21W
Frame Seal - Brown	AQ21B
Door Seal - White	AQ48W
Door Seal - Brown	AQ48B

Hardware Finish:	
Hardware:	(SS) Satin Stainless
Flushbolts:	(SN) Satin Nickel

