



capello

**PARTS
MANUAL**

QUASAR

R5-R6-R8

Grazie per aver acquistato un prodotto dalla Capello s.r.l

Scopo: Questo catalogo dei componenti è stato progettato per offrire agli utilizzatori una risorsa efficace per individuare le parti di ricambio per le apparecchiature prodotte dalla Capello S.r.l.

Indirizzo: Via Valle Po 100
12100 Cuneo, Italia

Ricambi e assistenza Tel.: +39 0171-413997

Fax ufficio ricambi: +39 0171-413677

E-Mail: parts@capello.it

Website: www.capelloworld.it

Stampato in: Italia

Anno di pubblicazione: 2015

Disconoscimento: La Capello s.r.l ha fatto ogni sforzo possibile per garantire che tutte le informazioni, le illustrazioni e le specifiche contenute in questo catalogo siano accurate al momento della pubblicazione.
La Capello s.r.l si riserva il diritto di apportare modifiche nelle costruzioni dei propri prodotti quanto tali modifiche sono considerate un miglioramento o un perfezionamento senza incorrere l'obbligo di aggiungere tali modifiche su qualsiasi prodotto già venduto.

Thank You for purchasing a product from Capello s.r.l

Purpose: This Parts Catalogue is designed to provide Dealers with an efficient resource to locate replacement parts for Capello s.r.l equipment.

Address: Via Valle Po 100
12100 Cuneo, Italy

Parts & Service Tel.: +39 0171-413997

Parts Dept. Fax: +39 0171-413677

E-Mail: parts@capello.it

Website: www.capelloworld.it

Printed in: Italy

Year of Publication: 2015

Disclaimer: Capello s.r.l has made every effort possible to ensure all information, illustrations and specifications in this Parts Catalogue, are accurate at the time of publication.
Capello s.r.l reserves the right to make changes in the construction of its products when such changes are deemed an improvement or refinement, without incurring the obligation to add such changes to any product already sold.

Merci d'avoir acheté un produit de Capello s.r.l

But: Ce catalogue de composants a été conçu pour offrir aux utilisateurs un moyen efficace de trouver les pièces de rechange pour leurs équipements produits par Capello S.r.l.

Adresse: Via Valle Po 100
12100 Cuneo, Italie

Pièces et Service Tel.: +39 0171-413997

Fax Bureau pièces: +39 0171-413677

E-Mail: parts@capello.it

Site web: www.capelloworld.it

Imprimé en: Italie

Année: 2015

Disclaimer: Capello s.r.l met tout en oeuvre pour garantir que toutes les informations, les illustrations et spécifications contenues dans ce catalogue sont exactes au moment de la publication. Capello s.r.l se réserve le droit de faire des changements dans la construction de ses produits si ces changements sont considérés comme une amélioration sans encourir l'obligation d'ajouter ces modifications sur les produits déjà vendus.

Danke für den Erwerb eines Produktes der Fa. Capello s.r.l.

Zweck: Dieser Ersatzteilkatalog wurde erstellt, um Händlern eine effiziente Quelle bei der Suche nach Ersatzteilen für Produkte der Fa. Capello s.r.l. zur Verfügung zu stellen.

Adresse: Via Valle Po 100
12100 Cuneo, Italien

Ersatzteil & Service Tel.: +39 0171-413997

Ersatzteilabteilung Fax: +39 0171-413677

E-Mail: parts@capello.it

Site web: www.capelloworld.it

Gedruckt in: Italien

Publikationsjahr: 2015

Disclaimer: Capello s.r.l hat jede nur denkbar mögliche Sorgfalt darauf verwendet, sicherzustellen, dass alle Informationen, Abbildungen und Spezifikationen in diesem Ersatzteilkatalog am Erscheinungstag akkurat sind. Capello s.r.l behält sich das Recht vor, Konstruktionsänderungen ihrer Produkte vorzunehmen, wenn diese als Änderungen als Verbesserung oder Veredelung erachtet werden, ohne dass eine Verpflichtung besteht diese Änderungen an bereits verkauften Produkten durchzuführen.

Table of Contents

PANEL	TAVOLA	Page
FRAME AND FRONT PLATE R5-750/800	TELAIO E LAMIERE ANTERIORI R5-750/800	9
FRAME AND FRONT PLATE R6-700	TELAIO E LAMIERE ANTERIORI R6-700	11
FRAME AND FRONT PLATE R6-750/800	TELAIO E LAMIERE ANTERIORI R6-750/800	13
FRAME AND FRONT PLATE R8-700	TELAIO E LAMIERE ANTERIORI R8-700	15
FRAME AND FRONT PLATE R8-750(3200)	TELAIO E LAMIERE ANTERIORI R8-750(3200)	17
FRAME AND FRONT PLATE R8-750(3400)	TELAIO E LAMIERE ANTERIORI R8-750(3400)	19
FRAME AND FRONT PLATE R8-800	TELAIO E LAMIERE ANTERIORI R8-800	21
GUARD R5-750/800	LAMIERE RIPARO TRINCIA R5-750/800	23
GUARD R6-700/750/800	LAMIERE RIPARO TRINCIA R6-700/750/800	25
GUARD R8-700	LAMIERE RIPARO TRINCIA R8-700	27
GUARD R8-750 (320/340)	LAMIERE RIPARO TRINCIA R8-750 (320/340)	29
GUARD R8-800	LAMIERE RIPARO TRINCIA R8-800	31
ARMS OPEN R5-R6	APERTURA BRACCI R5-R6	33
ARMS OPEN R8	APERTURA BRACCI R8	35
CENTER HOOD	COFANO CENTRALE	37
HARDWARE CENTRAL HOOD	FISSAGGIO COFANO CENTRALE	39
CENTER HOOD RIGHT ARM	COFANO CENTRALE BRACCIO DESTRO	41
CENTER HOOD LEFT ARM	COFANO CENTRALE BRACCIO SINISTRO	43
LEFT TIPPING HOOD R5-R6	COFANO RIBALTABILE SINISTRO R5-R6	45
HARDWARE LEFT TIPPING HOOD R5-R6	FISSAGGIO COFANO RIBALTABILE SINISTRO R5-R6	47
RIGHT TIPPING HOOD R5-R6	COFANO RIBALTABILE DESTRO R5-R6	49
HARDWARE RIGHT TIPPING HOOD R5-R6	FISSAGGIO COFANO RIBALTABILE DESTRO R5-R6	51
LEFT TIPPING HOOD R8	COFANO RIBALTABILE SINISTRO R8	53
HARDWARE LEFT TIPPING HOOD R8	FISSAGGIO COFANO RIBALTABILE SINISTRO R8	55
RIGHT TIPPING HOOD R8	COFANO RIBALTABILE DESTRO R8	57
HARDWARE RIGHT TIPPING HOOD R8	FISSAGGIO COFANO RIBALTABILE DESTRO R8	59
FENDER	COFANO LATERALE	61
FENDER HARDWARE	FISSAGGIO COFANO LATERALE	63
COVER	COPERTURA	65
CENTER SNOOT	PUNTA CENTRALE	67
HARDWARE	FISSAGGIO PUNTA CENTRALE	69
FENDER SNOOT	PUNTA LATERALE	71
HARDWARE	FISSAGGIO PUNTA LATERALE	73
EAR SAVER	GOMMA RIPARO PANNOCCHIE	75
MACHINE BODY FIXING	FISSAGGIO CARROZZERIA	77
STABILIZER RODS	TIRANTE	79

Table of Contents

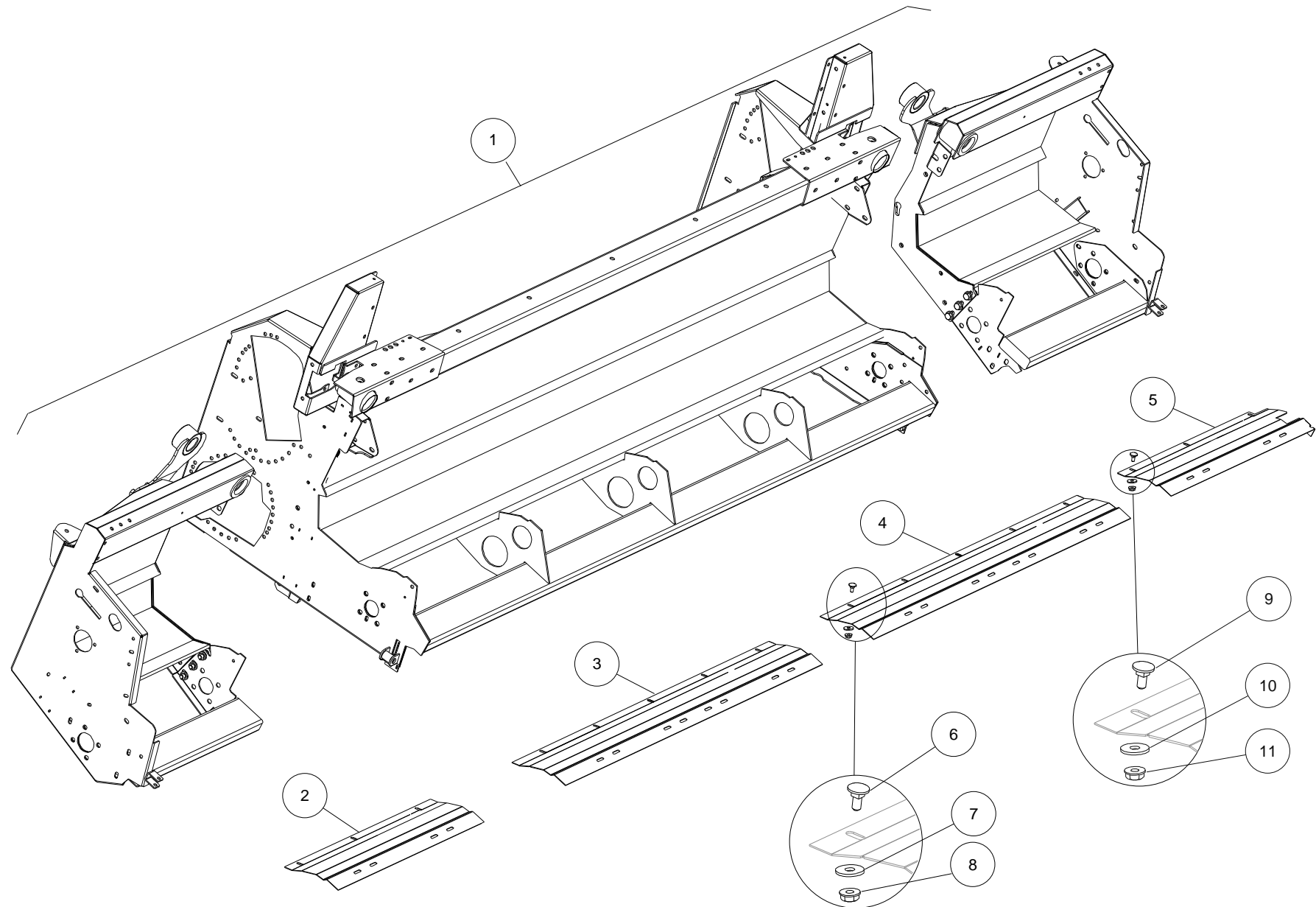
PANEL	TAVOLA	Page
SUPPORTS	APPOGGI	81
SHANK	CODOLO	83
TO HARVESTING CHAIN	TRASMISSIONE CATENE	85
ROLLERS TRASMISSION	TRASMISSIONE RULLI	87
GATHERING CHAIN	TENDICATENA	89
LOGEMENT	INVOLUCRI	93
ROLLER	RULLI A COLTELLI	95
COVER WITHOUT STALK CHOPPER	COPERCHI SENZA TRINCIASTOCCHI	99
COVER WITH STALK CHOPPER	COPERCHI CON TRINCIASTOCCHI	101
TO CHOPPING UNIT	TRASMISSIONE	103
STALK CHOPPER	ROTORE TRINCIASTOCCHI	107
GUARD	PROTEZIONE TRINCIASTOCCHI	109
CLUTCH	LIMITATORE DI COPPIA	111
FIXING E SHAFTS	FISSAGGIO E ASTE LEVERAGGIO	113
DECK PLATES INDICATOR	INDICATORE LEVERAGGIO PIATTI	115
ELECTICAL PLATE LEVERAGE	LEVERAGGIO PIATTI ELETTRICO	117
HYDRAULIC PLATE LEVERAGE	LEVERAGGIO PIATTI IDRAULICO	119
HEXAGONAL SHAFT TRANSMISSION	TRASMISSIONE ALBERI ESAGONALI	121
JOINT	INNESTO ALBERI ESAGONALI	123
HEXAGONAL SHAFT 5 ROWS 750/800	ALBERI ESAGONALI 5 FILE 750/800	125
HEXAGONAL SHAFT 6 ROWS 700/750	ALBERI ESAGONALI 6 FILE 700/750	127
HEXAGONAL SHAFT 6 ROWS 800	ALBERI ESAGONALI 6 FILE 800	129
HEXAGONAL SHAFT 8 ROWS 700-750 (320)	ALBERI ESAGONALI 8 FILE 700-750 (320)	131
HEXAGONAL SHAFT 8 ROWS 750 (340)	ALBERI ESAGONALI 8 FILE 750 (340)	133
HEXAGONAL SHAFT 8 ROWS 800	ALBERI ESAGONALI 8 FILE 800	135
AUGER TRASMISSION R5-700/750	TRASMISSIONE COCLEA R5-700/750	137
LEFT AUGER R5-700/750	COCLEA SINISTRA R5-700/750	141
LEFT AUGER R5-750/800 AND R6-700/750/800	COCLEA SINISTRA R5-750/800 E R6-700/750/800	143
LEFT AUGER R8-700/750/800	COCLEA SINISTRA R8-700/750/800	145
CENTRAL AUGER R5-700/750/800	COCLEA CENTRALE R5-700/750/800	147
CENTRAL AUGER R8-700/750/800	COCLEA CENTRALE R8-700/750/800	149
CENTRAL AUGER R8-700/750/800	COCLEA CENTRALE R8-700/750/800	151
RIGHT AUGER R5-700/750/800	COCLEA DESTRA R5-700/750/800	153
RIGHT AUGER R6-700/750/800	COCLEA DESTRA R6-700/750/800	155
RIGHT AUGER R8-700/750/800	COCLEA DESTRA R8-700/750/800	157
AUGER GEARBOX	SCATOLA TRASMISSIONE COCLEA	159

Table of Contents

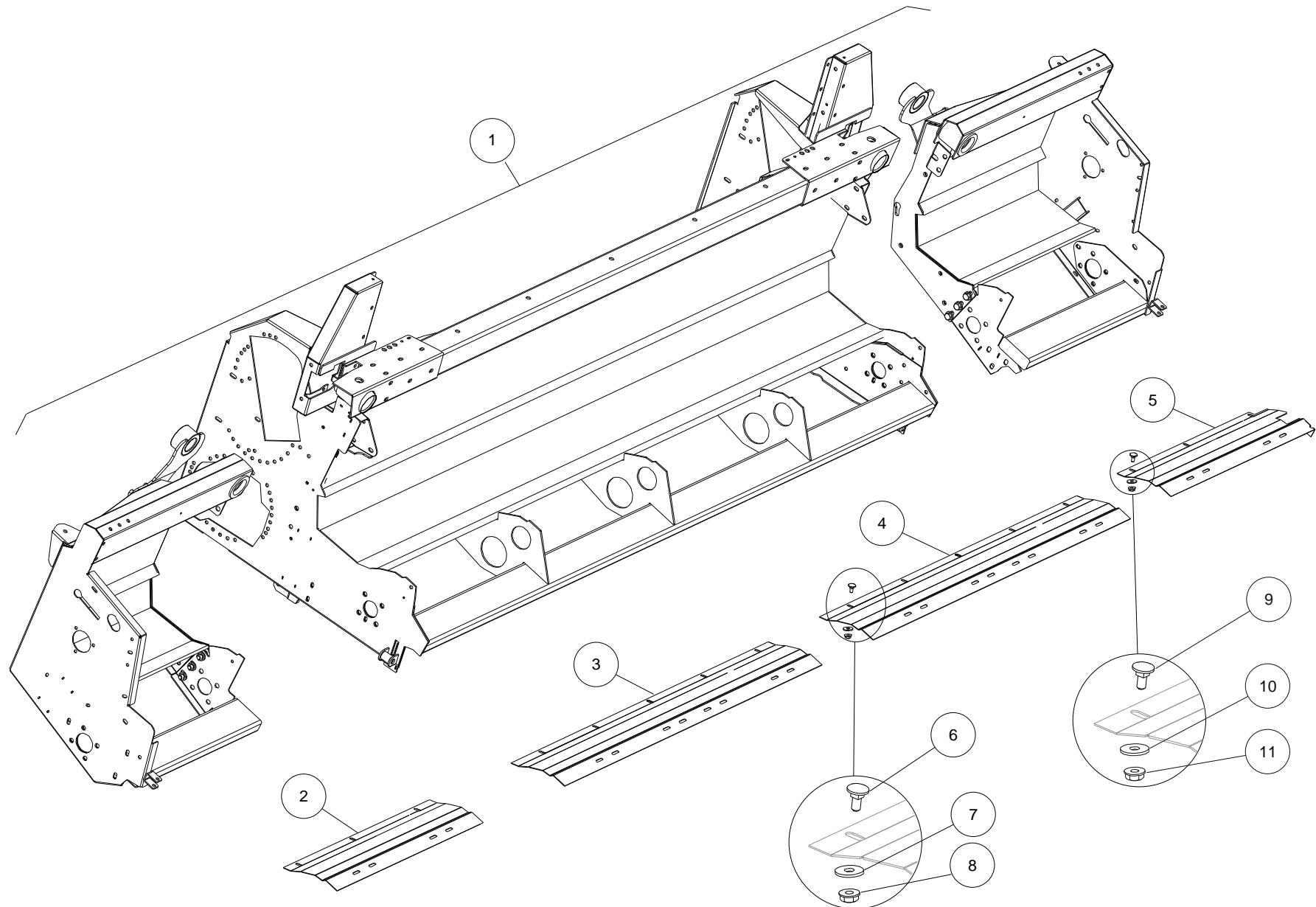
PANEL	TAVOLA	Page
LATERAL TRANSMISSION (FROM 2013)	TRASMISSIONE LATERALE (DAL 2013)	163
LATERAL GEARBOX (FROM 2013)	SCATOLA LATERALE (DAL 2013)	167
LATERAL GEARBOX CLAAS	SCATOLA LATERALE CLAAS	171
LATERAL GEARBOX DEUTZ FAHR	SCATOLA LATERALE DEUTZ FAHR	175
LATERAL GEARBOX LAVERDA	SCATOLA LATERALE LAVERDA	179
FLANGE	FLANGIA UNIFICATA MOTO	181
EXTERNAL TRASMISSION N. H., AGCO, JOHN DEERE	MOTO ESTERNO N. H., AGCO, JOHN DEERE	183
EXTERNAL TRASMISSION CLAAS	MOTO ESTERNO CLAAS	187
EXTERNAL TRASMISSION GUARD	CARTER MOTO ESTERNO	191
WRAPPED MOTION	MOTO SPOSTATO	193
WRAPPED MOTION PLATES	PIASTRE MOTO SPOSTATO	195
LATERAL GUARD	CARTER LATERALE	197
LATERAL GUARD	CARTER LATERALE	199
MECHANICAL AUGERS	COCLEE MECCANICHE	201
HYDRAULIC AUGERS	COCLEE IDRAULICHE	203
AUGERS SUPPORT	SUPPORTO COCLEE	205
LEFT OPEN MACHINE CILINDER	CILINDRO APERTURA MACCHINA SINISTRO	207
RIGHT OPEN MACHINE CILINDER	CILINDRO APERTURA MACCHINA DESTRO	209
LOCKING MACHINE CYLINDER	CILINDRO BLOCCAGGIO MACCHINA	211
OPENING VALVE	VALVOLA APERTURA COFANI RIBALTABILI	213
TIPPING FRAME CILINDER	CILINDRO ALZATA COFANO	215
MULTIFASTER CLAAS	MULTIFASTER CLAAS	219
MULTIFASTER NEW HOLLAND	MULTIFASTER NEW HOLLAND	221
MULTIFASTER JOHN DEERE	MULTIFASTER JOHN DEERE	223
MULTIFASTER CASE IH	MULTIFASTER CASE IH	225
MOUNTING PLATE JOHN DEERE WTS	ATTACCO JOHN DEERE WTS	227
MOUNTING PLATE JOHN DEERE 2000	ATTACCO JOHN DEERE 2000	229
MOUNTING PLATE JOHN DEERE TRINCIA	ATTACCO JOHN DEERE TRINCIA	231
MOUNTING PLATE NEW HOLLAND TX	ATTACCO NEW HOLLAND TX	233
MOUNTING PLATE NEW HOLLAND CX	ATTACCO NEW HOLLAND CX	235
MOUNTING PLATE CLAAS LEXION 400	ATTACCO CLAAS LEXION 400	237
MOUNTING PLATE LEXION 500	ATTACCO CLAAS LEXION 500	239
MOUNTING PLATE CLAAS AVERO	ATTACCO CLAAS AVERO	243
MOUNTING PLATE CLAAS MEDION	ATTACCO CLAAS MEDION	247
MOUNTING PLATE CLAAS 200	ATTACCO CLAAS 200	249
MOUNTING PLATE AGCO	ATTACCO AGCO	251

Table of Contents

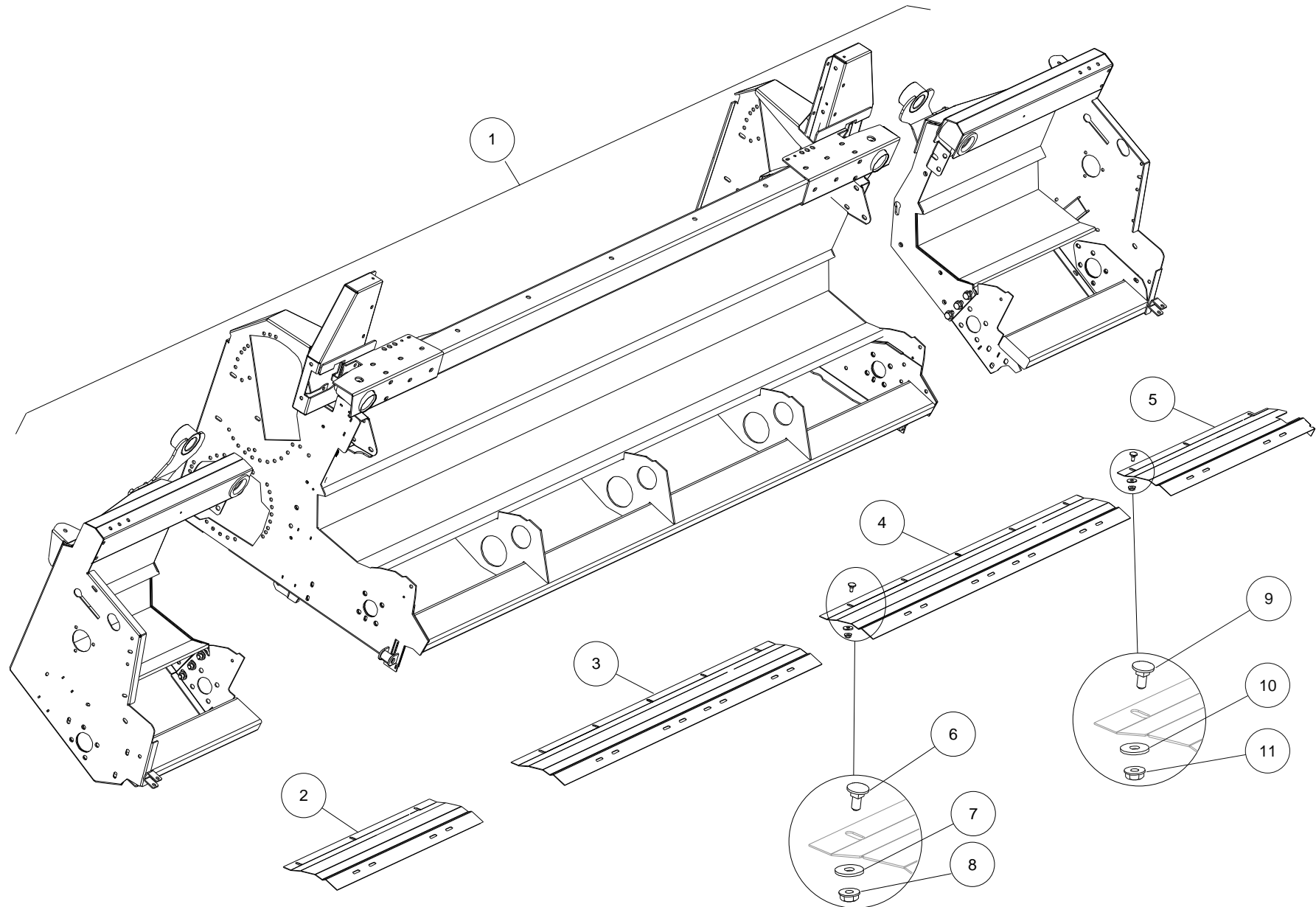
PANEL	TAVOLA	Page
MOUNTING PLATE CASE IH LARGE MOUTHPIECE	ATTACCO CASE IH IMBOCCATURA LARGA	253
MOUNTING PLATE LAVERDA LARGE MOUTHPIECE	ATTACCO LAVERDA IMBOCCATURA LARGA	255
MOUNTING PLATE LAVERDA NARROW MOUTH	ATTACCO LAVERDA IMB. STRETTA	257
MOUNTING PLATE JAGUAR 494	ATTACCO JAGUAR 494	259
MOUNTING PLATE JAGUAR 492 LATERAL	ATTACCO JAGUAR 492 MOTO LATERALE	261
MOUNTING PLATE JAGUAR 494 FRONTAL	ATTACCO JAGUAR 492 FRONTALE	263
MOUNTING PLATE DEUTZ FAHR LARGE MOUTH	ATTACCO DEUTZ FAHR IMBOCCATURA LARGA	265
MOUNTING PLATE DEUTZ FAHR LARGE MOUTH	ATTACCO DEUTZ FAHR IMBOCCATURA LARGA	267
MOUNTING PLATE FIAT 521	ATTACCO FIAT 521	269
MOUNTING PLATE FIAT 624	ATTACCO FIAT 624	271
PTO SHAFT PROTECTION	PROTEZIONE CARDANI	273
HEAD SENSOR (JOHN DEERE-AGCO- CLAAS)	TASTATORE (JOHN DEERE-AGCO- CLAAS)	275
HEAD SENSOR (NH - DEUTZ FAHR)	TASTATORE (NH - DEUTZ FAHR)	277
STALK CRUSHER	SCHIACCIASTOCCHI	279
KIT SUNFLOWER	KIT GIRASOLE	281
SAFETY STICKERS	ADESIVI DI SICUREZZA	283
STALK CHOPPER	ROTORE TRINCIASTOCCHI	284



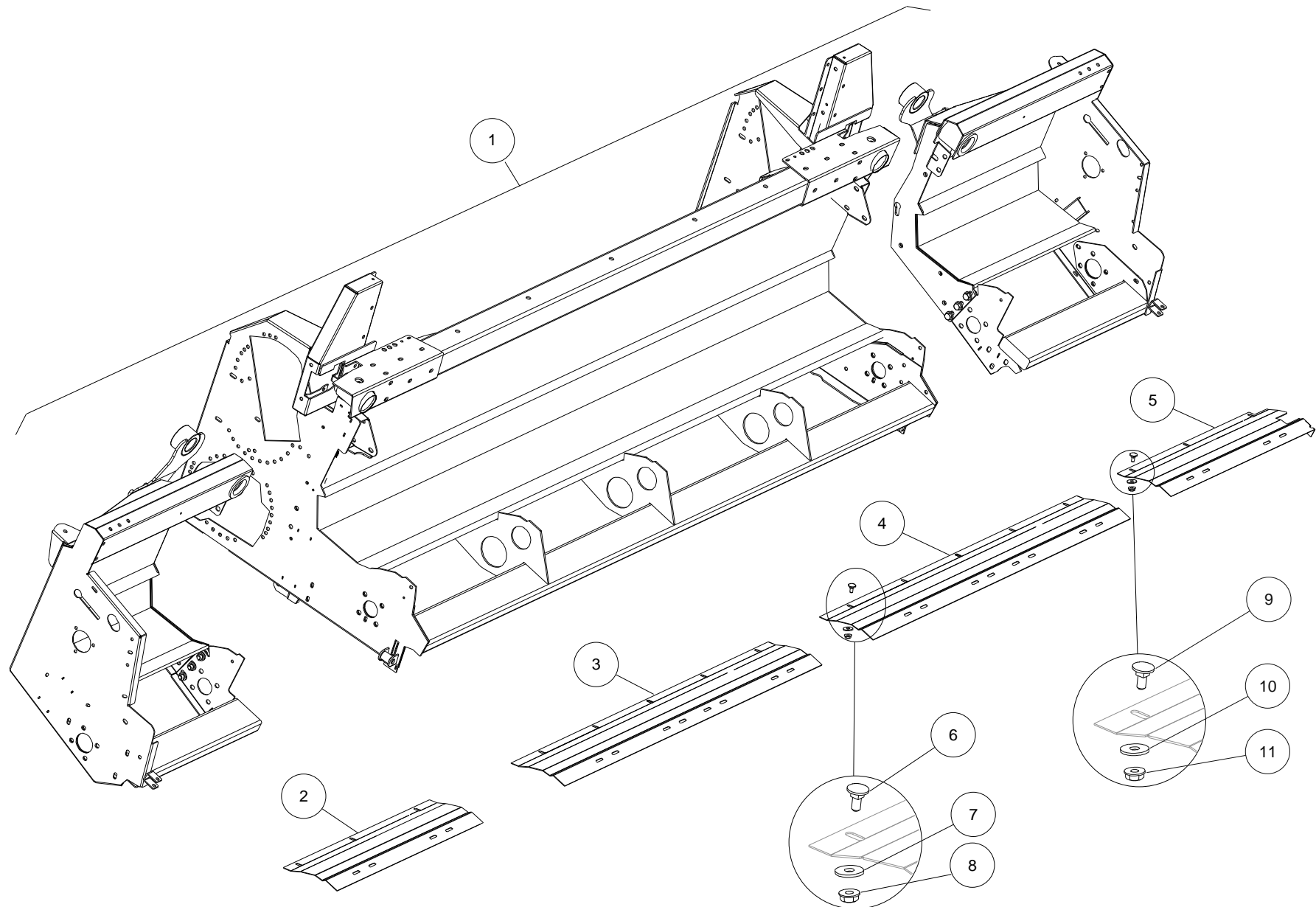
Pos	Code	Descrizione	Note	Description	Description	Beschreibung	Descripcìon
1	01.4516.00	TELAIO COMPLETO		COMPLETE FRAME	CHASSIS COMPLETE	RAHMEN KOMPLETT	CHASIS COMPLETO
2	01.2578.00	LAMIERA ANTERIORE DESTRA		RIGHT FLOOR PLATE	TOLE DE FOND DROITE	BODENBLECH RECHTS	PLACA DERECHA
3	01.2558.00	LAMIERA ANTERIORE CENTRALE DESTRA		MIDDLE RIGHT FLOOR PLATE	TOLE DE FOND CENTRALE-DROITE	BODENBLECH MITTE RECHTS	PLACA CENTRAL-DERECHA
4	01.2557.00	LAMIERA ANTERIORE CENTRALE SINISTRA		MIDDLE LEFT FLOOR PLATE	TOLE DE FOND CENTRALE-GAUCHE	BODENBLECH MITTE LINKS	PLACA CENTRAL-IZQUIERDA
5	01.2591.00	LAMIERA ANTERIORE SINISTRA		LEFT FLOOR PLATE	TOLE DE FOND GAUCHE	BODENBLECH LINKS	PLACA IZQUIERDA
6	PMF-000029	VITE TBQS	M10X25	COACH SCREW	VIS A TETE BOMBEE	FLACHRUNDSCHRAUBE	TORNILLO
7	M1-10267	RONDELLA		WASHER	RONDELLE	SCHEIBE	ARANDELLA
8	PMF-000012	DADO TENSILOCK	M10	SECURING NUT TENSILOCK	ECROU TENSILOCK	SICHERUNGSMUTTER TENSILOCK	CONTRATUERCA TENSILOCK
9	PMF-000017	VITE TBQS	M8X20	COACH SCREW	VIS A TETE BOMBEE	FLACHRUNDSCHRAUBE	TORNILLO
10	PMF-000141	RONDELLA	8X16X1.6	WASHER	RONDELLE	SCHEIBE	ARANDELLA
11	PMF-000016	DADO TENSILOCK	M8	SECURING NUT TENSILOCK	ECROU TENSILOCK	SICHERUNGSMUTTER TENSILOCK	CONTRATUERCA TENSILOCK



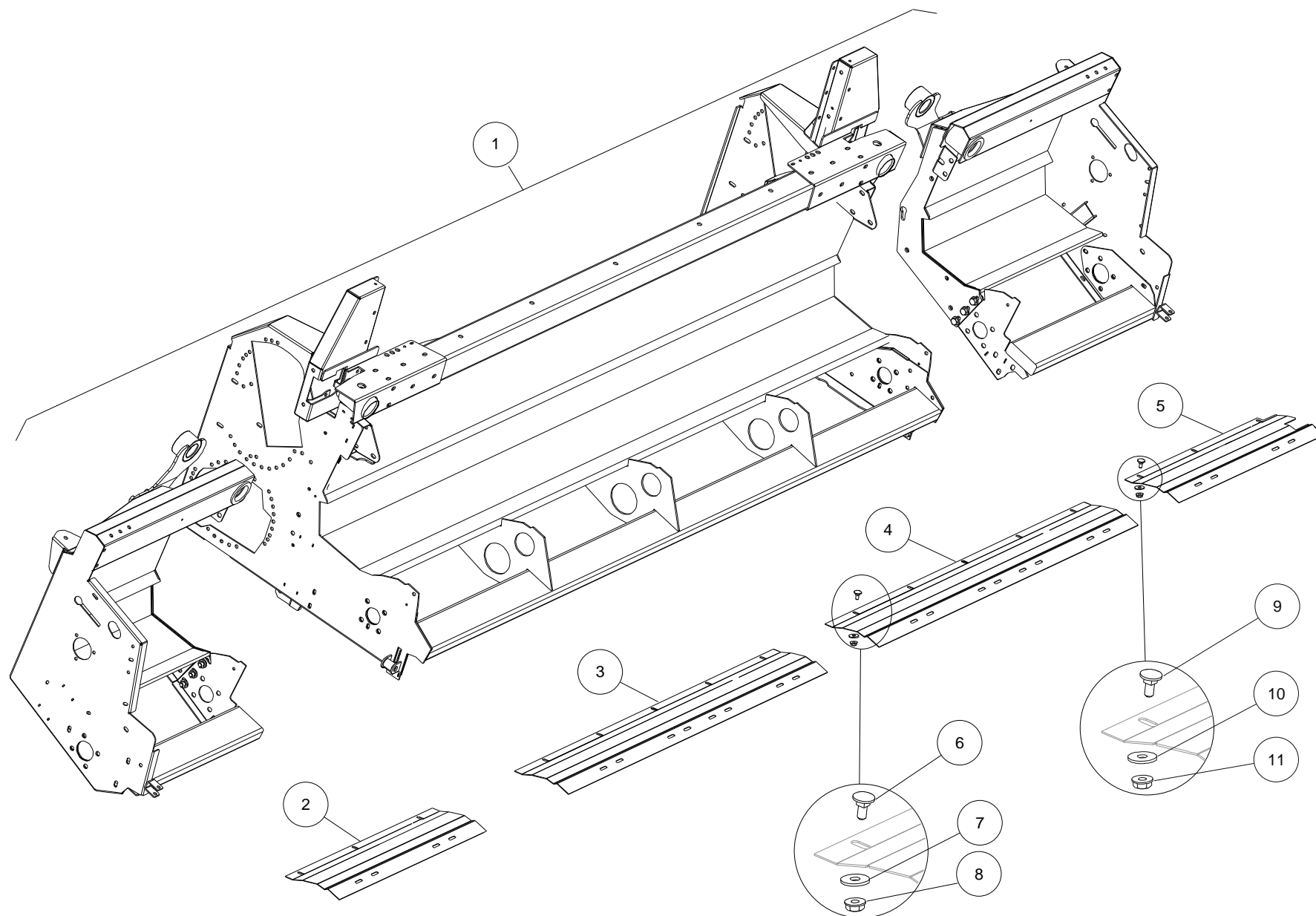
Pos	Code	Descrizione	Note	Description	Description	Beschreibung	Descripcìon
1	01.4517.00	TELAIO COMPLETO		COMPLETE FRAME	CHASSIS COMPLETE	RAHMEN KOMPLETT	CHASIS COMPLETO
2	01.2578.00	LAMIERA ANTERIORE DESTRA		RIGHT FLOOR PLATE	TOLE DE FOND DROITE	BODENBLECH RECHTS	PLACA DERECHA
3	01.2559.00	LAMIERA ANTERIORE CENTRALE DESTRA		MIDDLE RIGHT FLOOR PLATE	TOLE DE FOND CENTRALE-DROITE	BODENBLECH MITTE RECHTS	PLACA CENTRAL-DERECHA
4	01.2560.00	LAMIERA ANTERIORE CENTRALE SINISTRA		MIDDLE LEFT FLOOR PLATE	TOLE DE FOND CENTRALE-GAUCHE	BODENBLECH MITTE LINKS	PLACA CENTRAL-IZQUIERDA
5	01.2591.00	LAMIERA ANTERIORE SINISTRA		LEFT FLOOR PLATE	TOLE DE FOND GAUCHE	BODENBLECH LINKS	PLACA IZQUIERDA
6	PMF-000029	VITE TBQS	M10X25	COACH SCREW	VIS A TETE BOMBEE	FLACHRUNDSCHRAUBE	TORNILLO
7	M1-10267	RONDELLA		WASHER	RONDELLE	SCHEIBE	ARANDELLA
8	PMF-000012	DADO TENSILOCK	M10	SECURING NUT TENSILOCK	ECROU TENSILOCK	SICHERUNGSMUTTER TENSILOCK	CONTRATUERCA TENSILOCK
9	PMF-000017	VITE TBQS	M8X20	COACH SCREW	VIS A TETE BOMBEE	FLACHRUNDSCHRAUBE	TORNILLO
10	PMF-000141	RONDELLA	8X16X1.6	WASHER	RONDELLE	SCHEIBE	ARANDELLA
11	PMF-000016	DADO TENSILOCK	M8	SECURING NUT TENSILOCK	ECROU TENSILOCK	SICHERUNGSMUTTER TENSILOCK	CONTRATUERCA TENSILOCK



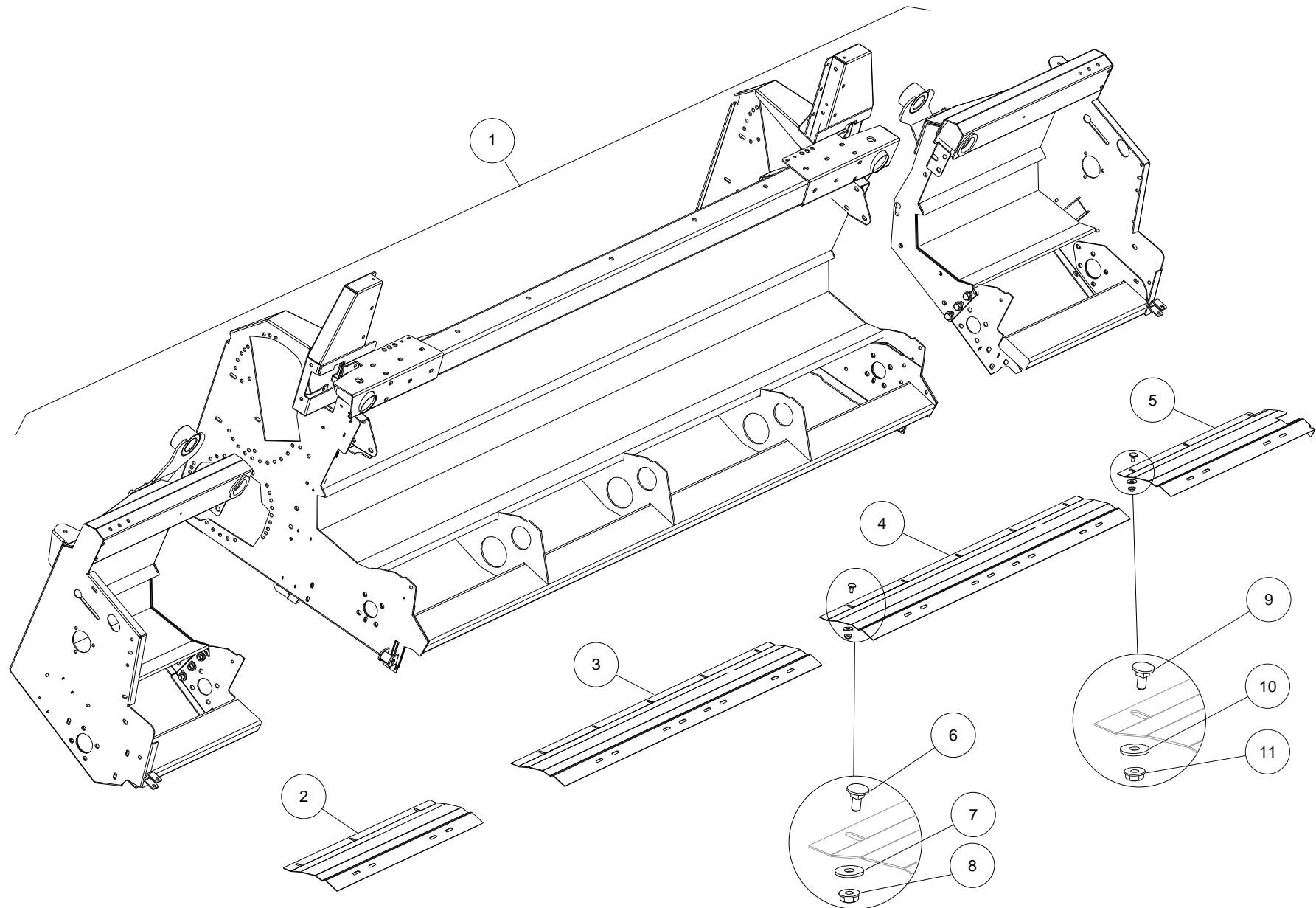
Pos	Code	Descrizione	Note	Description	Description	Beschreibung	Descripcìon
1	01.4518.00	TELAIO COMPLETO		COMPLETE FRAME	CHASSIS COMPLETE	RAHMEN KOMPLETT	CHASIS COMPLETO
2	01.2578.00	LAMIERA ANTERIORE DESTRA		RIGHT FLOOR PLATE	TOLE DE FOND DROITE	BODENBLECH RECHTS	PLACA DERECHA
3	01.2561.00	LAMIERA ANTERIORE CENTRALE DESTRA		MIDDLE RIGHT FLOOR PLATE	TOLE DE FOND CENTRALE-DROITE	BODENBLECH MITTE RECHTS	PLACA CENTRAL-DERECHA
4	01.2562.00	LAMIERA ANTERIORE CENTRALE SINISTRA		MIDDLE LEFT FLOOR PLATE	TOLE DE FOND CENTRALE-GAUCHE	BODENBLECH MITTE LINKS	PLACA CENTRAL-IZQUIERDA
5	01.2314.00	LAMIERA ANTERIORE SINISTRA		LEFT FLOOR PLATE	TOLE DE FOND GAUCHE	BODENBLECH LINKS	PLACA IZQUIERDA
6	PMF-000029	VITE TBQS	M10X25	COACH SCREW	VIS A TETE BOMBEE	FLACHRUNDSCHRAUBE	TORNILLO
7	M1-10267	RONDELLA		WASHER	RONDELLE	SCHEIBE	ARANDELLA
8	PMF-000012	DADO TENSILOCK	M10	SECURING NUT TENSILOCK	ECROU TENSILOCK	SICHERUNGSMUTTER TENSILOCK	CONTRATUERCA TENSILOCK
9	PMF-000017	VITE TBQS	M8X20	COACH SCREW	VIS A TETE BOMBEE	FLACHRUNDSCHRAUBE	TORNILLO
10	PMF-000141	RONDELLA	8X16X1.6	WASHER	RONDELLE	SCHEIBE	ARANDELLA
11	PMF-000016	DADO TENSILOCK	M8	SECURING NUT TENSILOCK	ECROU TENSILOCK	SICHERUNGSMUTTER TENSILOCK	CONTRATUERCA TENSILOCK



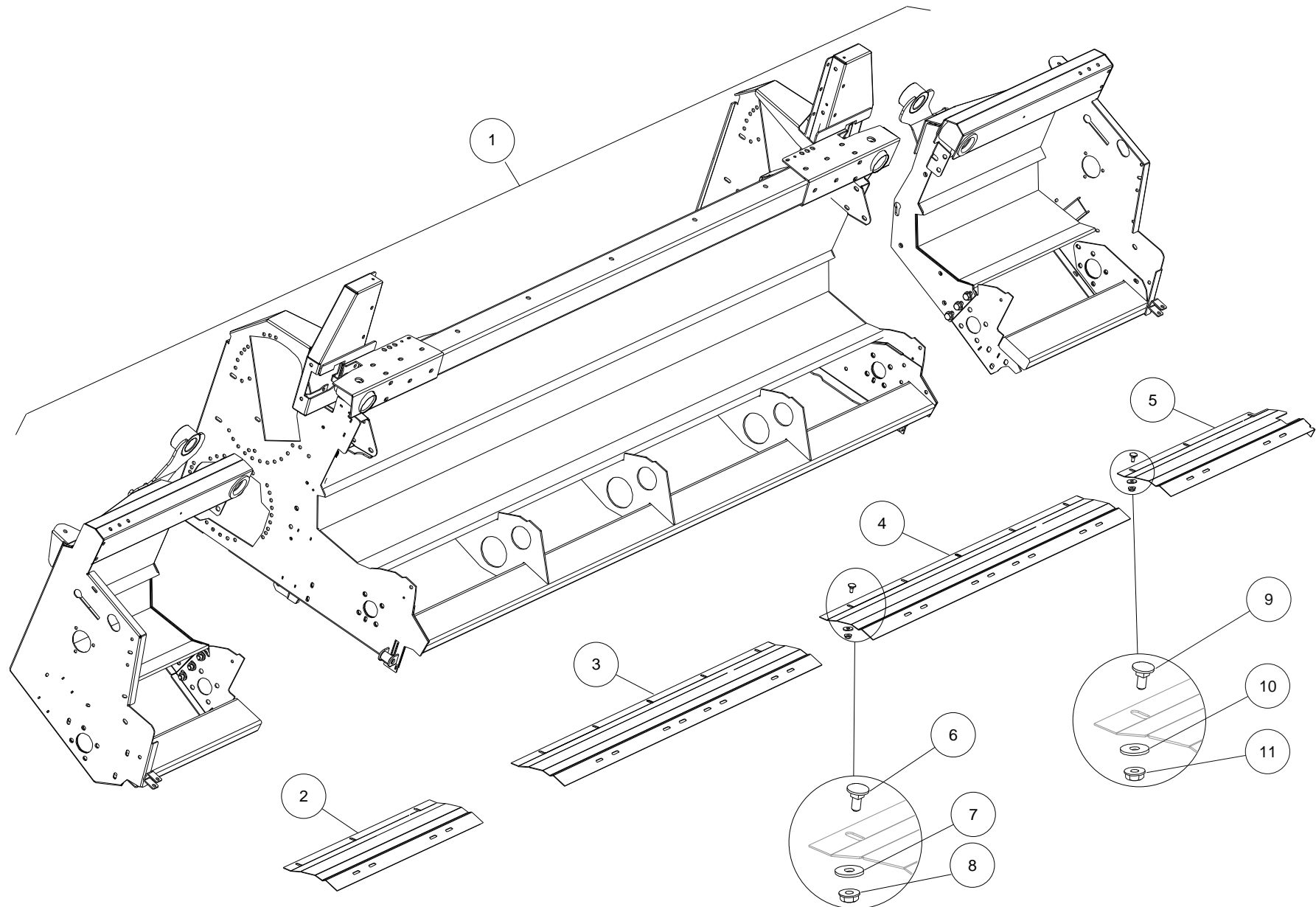
Pos	Code	Descrizione	Note	Description	Description	Beschreibung	Descripcìon
1	01.4522.00	TELAIO COMPLETO		COMPLETE FRAME	CHASSIS COMPLETE	RAHMEN KOMPLETT	CHASIS COMPLETO
2	01.2403.00	LAMIERA ANTERIORE DESTRA		RIGHT FLOOR PLATE	TOLE DE FOND DROITE	BODENBLECH RECHTS	PLACA DERECHA
3	01.2565.00	LAMIERA ANTERIORE CENTRALE DESTRA		MIDDLE RIGHT FLOOR PLATE	TOLE DE FOND CENTRALE-DROITE	BODENBLECH MITTE RECHTS	PLACA CENTRAL-DERECHA
4	01.2566.00	LAMIERA ANTERIORE CENTRALE SINISTRA		MIDDLE LEFT FLOOR PLATE	TOLE DE FOND CENTRALE-GAUCHE	BODENBLECH MITTE LINKS	PLACA CENTRAL-IZQUIERDA
5	01.2314.00	LAMIERA ANTERIORE SINISTRA		LEFT FLOOR PLATE	TOLE DE FOND GAUCHE	BODENBLECH LINKS	PLACA IZQUIERDA
6	PMF-000029	VITE TBQS	M10X25	COACH SCREW	VIS A TETE BOMBEE	FLACHRUNDSCHRAUBE	TORNILLO
7	M1-10267	RONDELLA		WASHER	RONDELLE	SCHEIBE	ARANDELLA
8	PMF-000012	DADO TENSILOCK	M10	SECURING NUT TENSILOCK	ECROU TENSILOCK	SICHERUNGSMUTTER TENSILOCK	CONTRATUERCA TENSILOCK
9	PMF-000017	VITE TBQS	M8X20	COACH SCREW	VIS A TETE BOMBEE	FLACHRUNDSCHRAUBE	TORNILLO
10	PMF-000141	RONDELLA	8X16X1.6	WASHER	RONDELLE	SCHEIBE	ARANDELLA
11	PMF-000016	DADO TENSILOCK	M8	SECURING NUT TENSILOCK	ECROU TENSILOCK	SICHERUNGSMUTTER TENSILOCK	CONTRATUERCA TENSILOCK



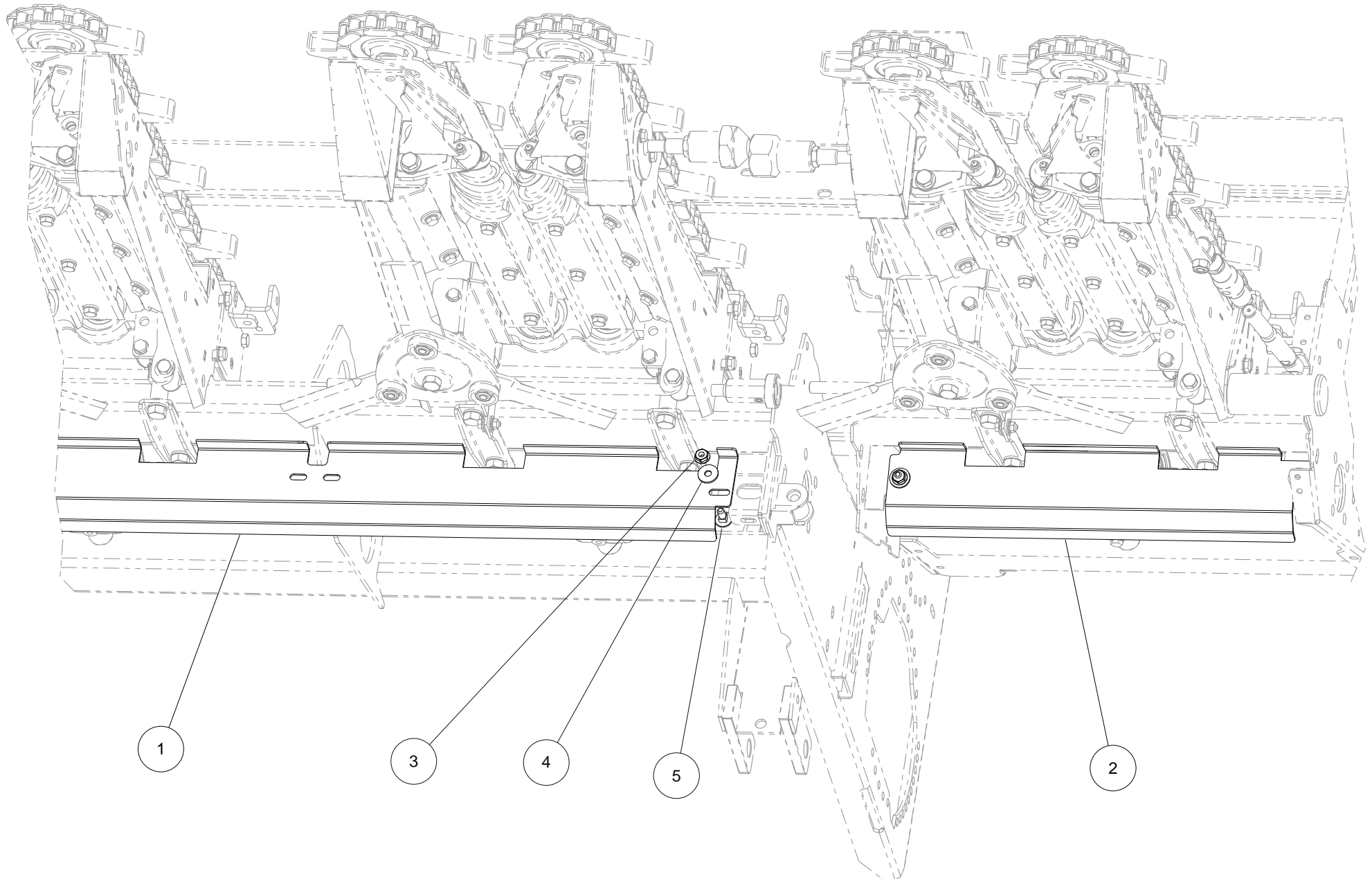
Pos	Code	Descrizione	Note	Description	Description	Beschreibung	Descripcìon
1	01.4519.00	TELAIO COMPLETO		COMPLETE FRAME	CHASSIS COMPLETE	RAHMEN KOMPLETT	CHASIS COMPLETO
2	01.2403.00	LAMIERA ANTERIORE DESTRA		RIGHT FLOOR PLATE	TOLE DE FOND DROITE	BODENBLECH RECHTS	PLACA DERECHA
3	01.2401.00	LAMIERA ANTERIORE CENTRALE DESTRA		MIDDLE RIGHT FLOOR PLATE	TOLE DE FOND CENTRALE-DROITE	BODENBLECH MITTE RECHTS	PLACA CENTRAL-DERECHA
4	01.2402.00	LAMIERA ANTERIORE CENTRALE SINISTRA		MIDDLE LEFT FLOOR PLATE	TOLE DE FOND CENTRALE-GAUCHE	BODENBLECH MITTE LINKS	PLACA CENTRAL-IZQUIERDA
5	01.2404.00	LAMIERA ANTERIORE SINISTRA		LEFT FLOOR PLATE	TOLE DE FOND GAUCHE	BODENBLECH LINKS	PLACA IZQUIERDA
6	PMF-000029	VITE TBQS	M10X25	COACH SCREW	VIS A TETE BOMBEE	FLACHRUNDSCHRAUBE	TORNILLO
7	M1-10267	RONDELLA		WASHER	RONDELLE	SCHEIBE	ARANDELLA
8	PMF-000012	DADO TENSILOCK	M10	SECURING NUT TENSILOCK	ECROU TENSILOCK	SICHERUNGSMUTTER TENSILOCK	CONTRATUERCA TENSILOCK
9	PMF-000029	VITE TBQS	M8X20	COACH SCREW	VIS A TETE BOMBEE	FLACHRUNDSCHRAUBE	TORNILLO
10	PMF-000141	RONDELLA	8X16X1.6	WASHER	RONDELLE	SCHEIBE	ARANDELLA
11	PMF-000016	DADO TENSILOCK	M8	SECURING NUT TENSILOCK	ECROU TENSILOCK	SICHERUNGSMUTTER TENSILOCK	CONTRATUERCA TENSILOCK



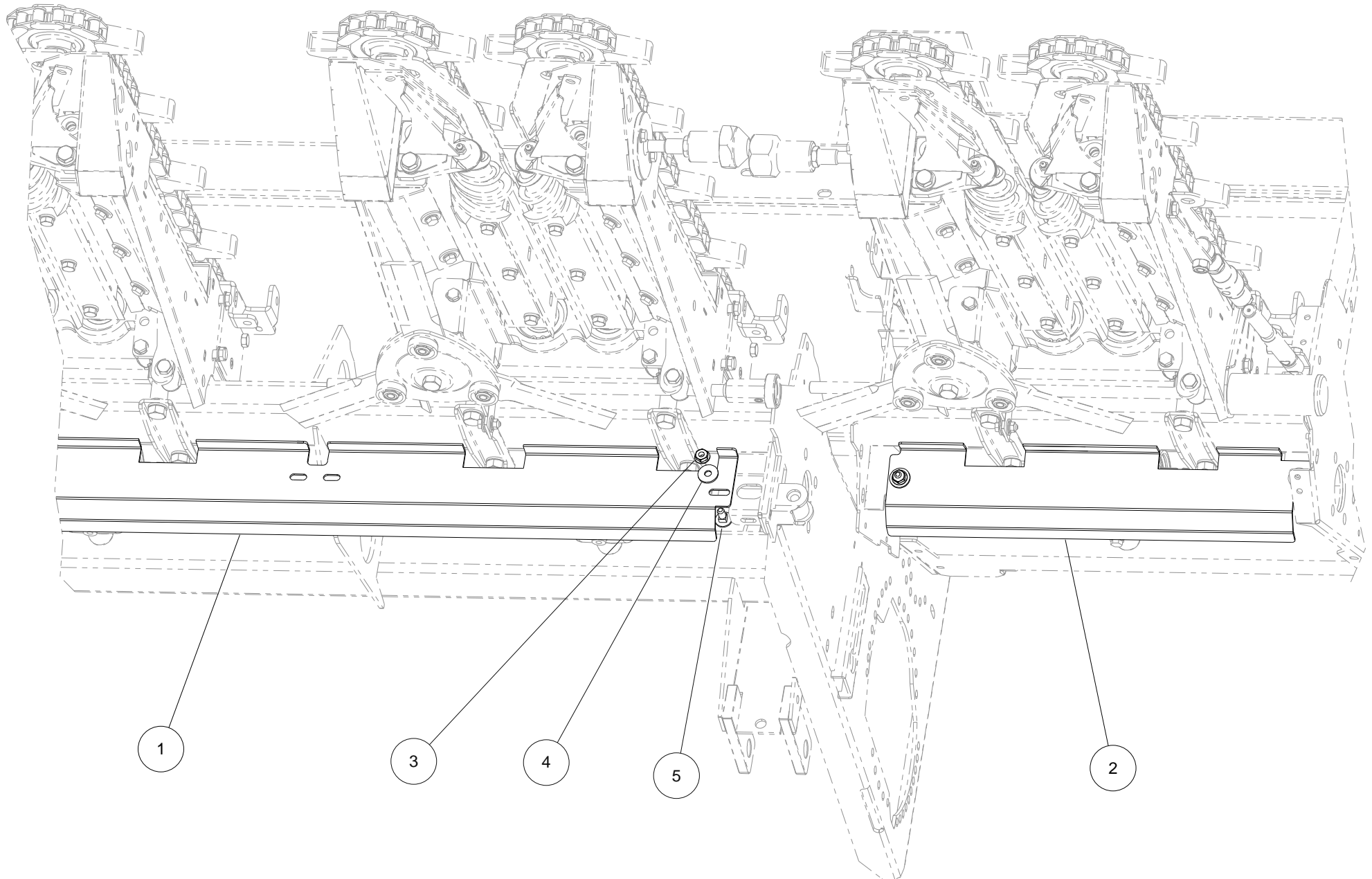
Pos	Code	Descrizione	Note	Description	Description	Beschreibung	Descripcìon
1	01.4523.00	TELAIO COMPLETO		COMPLETE FRAME	CHASSIS COMPLETE	RAHMEN KOMPLETT	CHASIS COMPLETO
2	01.2403.00	LAMIERA ANTERIORE DESTRA		RIGHT FLOOR PLATE	TOLE DE FOND DROITE	BODENBLECH RECHTS	PLACA DERECHA
3	01.2408.00	LAMIERA ANTERIORE CENTRALE DESTRA		MIDDLE RIGHT FLOOR PLATE	TOLE DE FOND CENTRALE-DROITE	BODENBLECH MITTE RECHTS	PLACA CENTRAL-DERECHA
4	01.2409.00	LAMIERA ANTERIORE CENTRALE SINISTRA		MIDDLE LEFT FLOOR PLATE	TOLE DE FOND CENTRALE-GAUCHE	BODENBLECH MITTE LINKS	PLACA CENTRAL-IZQUIERDA
5	01.2404.00	LAMIERA ANTERIORE SINISTRA		LEFT FLOOR PLATE	TOLE DE FOND GAUCHE	BODENBLECH LINKS	PLACA IZQUIERDA
6	PMF-000029	VITE TBQS	M10X25	COACH SCREW	VIS A TETE BOMBEE	FLACHRUNDSCHRAUBE	TORNILLO
7	M1-10267	RONDELLA		WASHER	RONDELLE	SCHEIBE	ARANDELLA
8	PMF-000012	DADO TENSILOCK	M10	SECURING NUT TENSILOCK	ECROU TENSILOCK	SICHERUNGSMUTTER TENSILOCK	CONTRATUERCA TENSILOCK
9	PMF-000017	VITE TBQS	M8X20	COACH SCREW	VIS A TETE BOMBEE	FLACHRUNDSCHRAUBE	TORNILLO
10	PMF-000141	RONDELLA	8X16X1.6	WASHER	RONDELLE	SCHEIBE	ARANDELLA
11	PMF-000016	DADO TENSILOCK	M8	SECURING NUT TENSILOCK	ECROU TENSILOCK	SICHERUNGSMUTTER TENSILOCK	CONTRATUERCA TENSILOCK



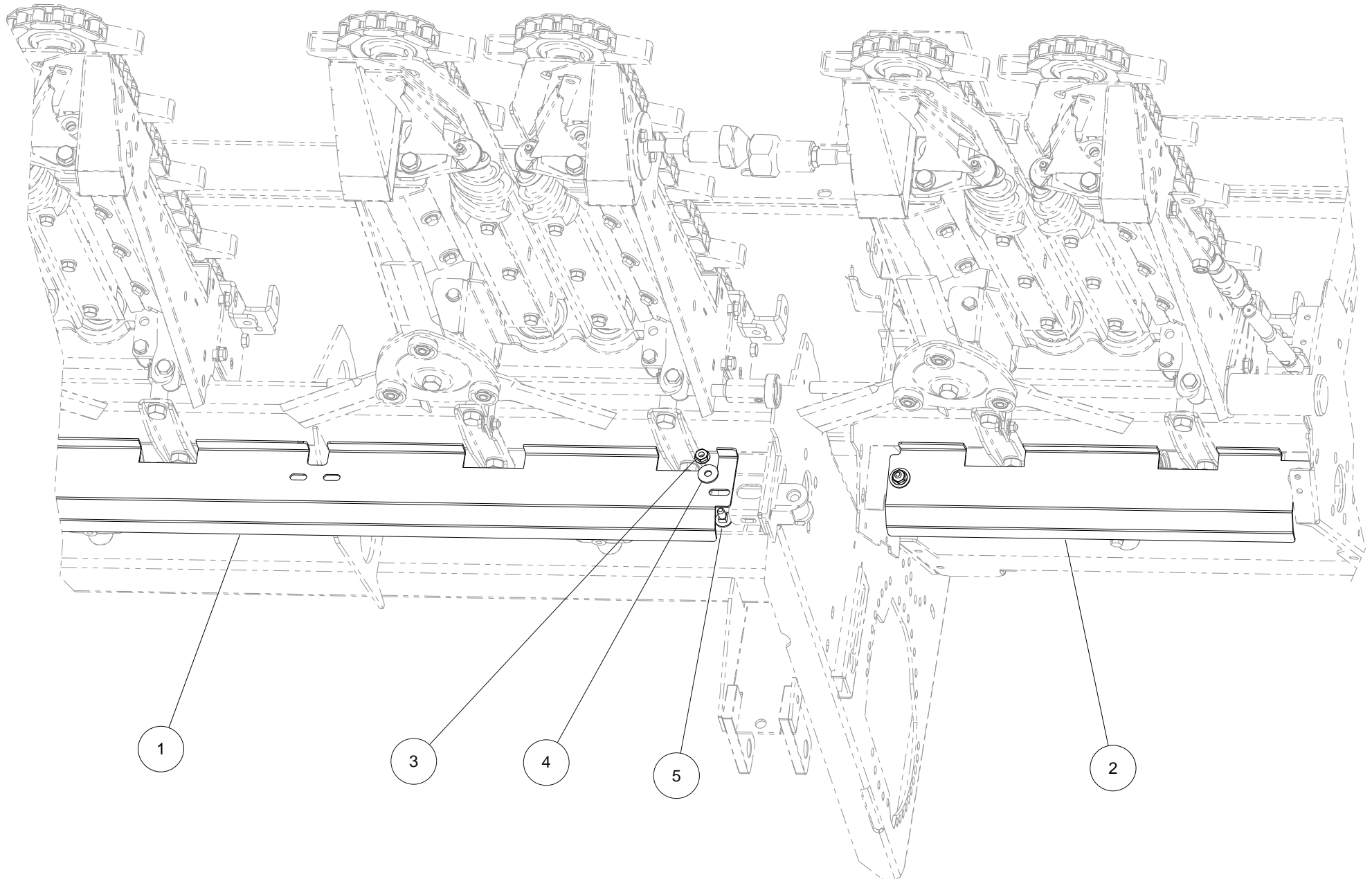
Pos	Code	Descrizione	Note	Description	Description	Beschreibung	Descripcìon
1	01.4521.00	TELAIO COMPLETO		COMPLETE FRAME	CHASSIS COMPLETE	RAHMEN KOMPLETT	CHASIS COMPLETO
2	01.2583.00	LAMIERA ANTERIORE DESTRA		RIGHT FLOOR PLATE	TOLE DE FOND DROITE	BODENBLECH RECHTS	PLACA DERECHA
3	01.2411.00	LAMIERA ANTERIORE CENTRALE DESTRA		MIDDLE RIGHT FLOOR PLATE	TOLE DE FOND CENTRALE-DROITE	BODENBLECH MITTE RECHTS	PLACA CENTRAL-DERECHA
4	01.2412.00	LAMIERA ANTERIORE CENTRALE SINISTRA		MIDDLE LEFT FLOOR PLATE	TOLE DE FOND CENTRALE-GAUCHE	BODENBLECH MITTE LINKS	PLACA CENTRAL-IZQUIERDA
5	01.2582.00	LAMIERA ANTERIORE SINISTRA		LEFT FLOOR PLATE	TOLE DE FOND GAUCHE	BODENBLECH LINKS	PLACA IZQUIERDA
6	PMF-000029	VITE TBQS	M10X25	COACH SCREW	VIS A TETE BOMBEE	FLACHRUNDSCHRAUBE	TORNILLO
7	M1-10267	RONDELLA		WASHER	RONDELLE	SCHEIBE	ARANDELLA
8	PMF-000012	DADO TENSILOCK	M10	SECURING NUT TENSILOCK	ECROU TENSILOCK	SICHERUNGSMUTTER TENSILOCK	CONTRATUERCA TENSILOCK
9	PMF-000017	VITE TBQS	M8X20	COACH SCREW	VIS A TETE BOMBEE	FLACHRUNDSCHRAUBE	TORNILLO
10	PMF-000141	RONDELLA	8X16X1.6	WASHER	RONDELLE	SCHEIBE	ARANDELLA
11	PMF-000016	DADO TENSILOCK	M8	SECURING NUT TENSILOCK	ECROU TENSILOCK	SICHERUNGSMUTTER TENSILOCK	CONTRATUERCA TENSILOCK



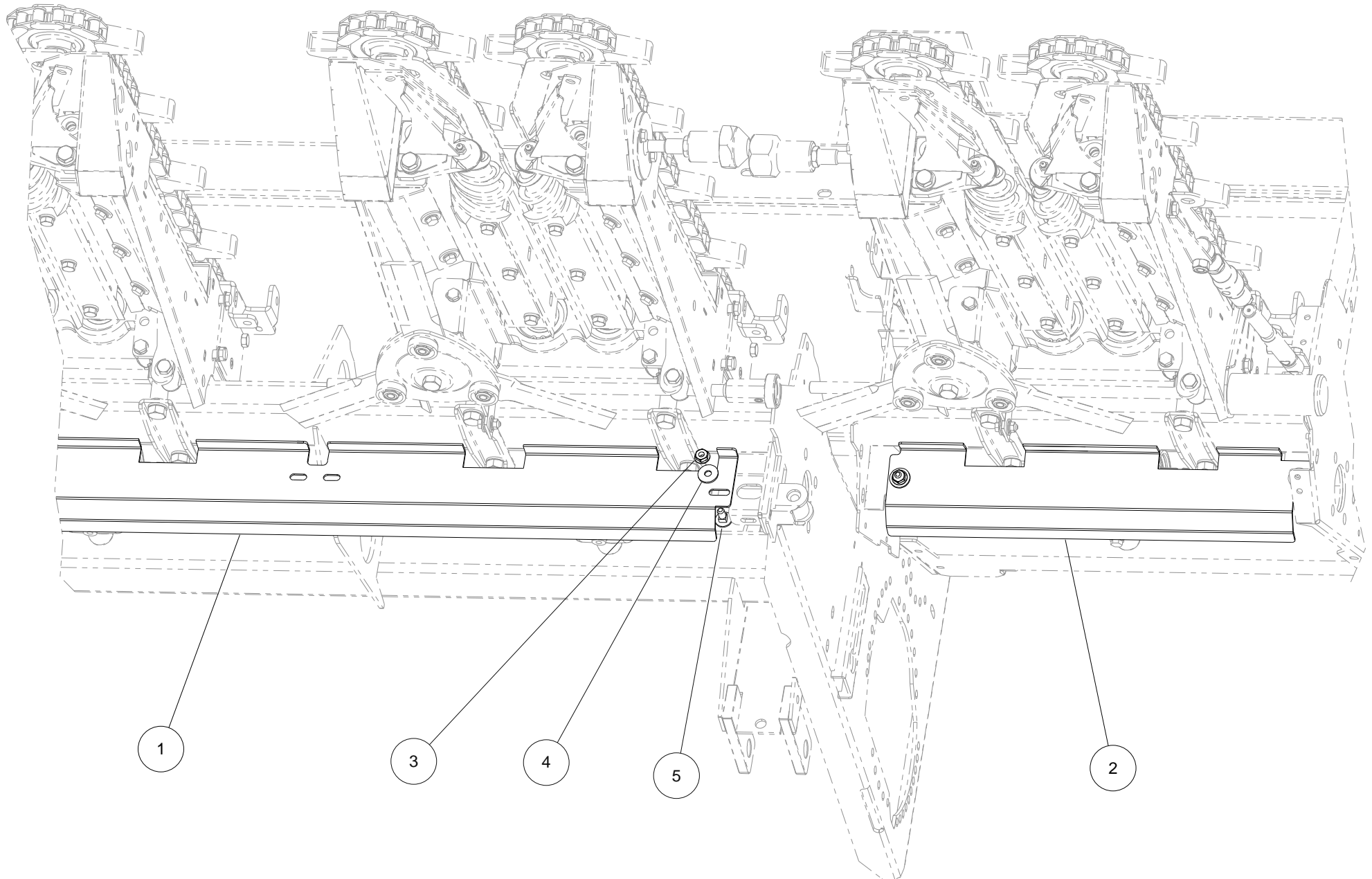
Pos	Code	Descrizione	Note	Description	Description	Beschreibung	Descripcìon
1	01.3002.00	LAMIERA RIPARO TRINCIASTOCCHI		GUARD	GARANT	SCHUTZ	REPARO
2	01.2586.00	LAMIERA RIPARO TRINCIASTOCCHI DESTRA		RIGHT GUARD	GARANT DROITE	SCHUTZ RECHTS	REPARO DERECHO
2	01.2587.00	LAMIERA RIPARO TRINCIASTOCCHI SINISTRA		LEFT GUARD	GARANT GAUCHE	SCHUTZ LINKS	REPARO IZQUIERDO
3	PMF-000012	DADO TENSILOCK	M10	SECURING NUT TENSILOCK	ECROU TENSILOCK	SICHERUNGSMUTTER TENSILOCK	CONTRATUERCA TENSILOCK
4	PMF-000075	RONDELLA	10X30X2.5	WASHER	RONDELLE	SCHEIBE	ARANDELLA
5	PMF-000029	VITE TBQS	M10X25	COACH SCREW	VIS A TETE BOMBEE	FLACHRUNDSCHRAUBE	TORNILLO



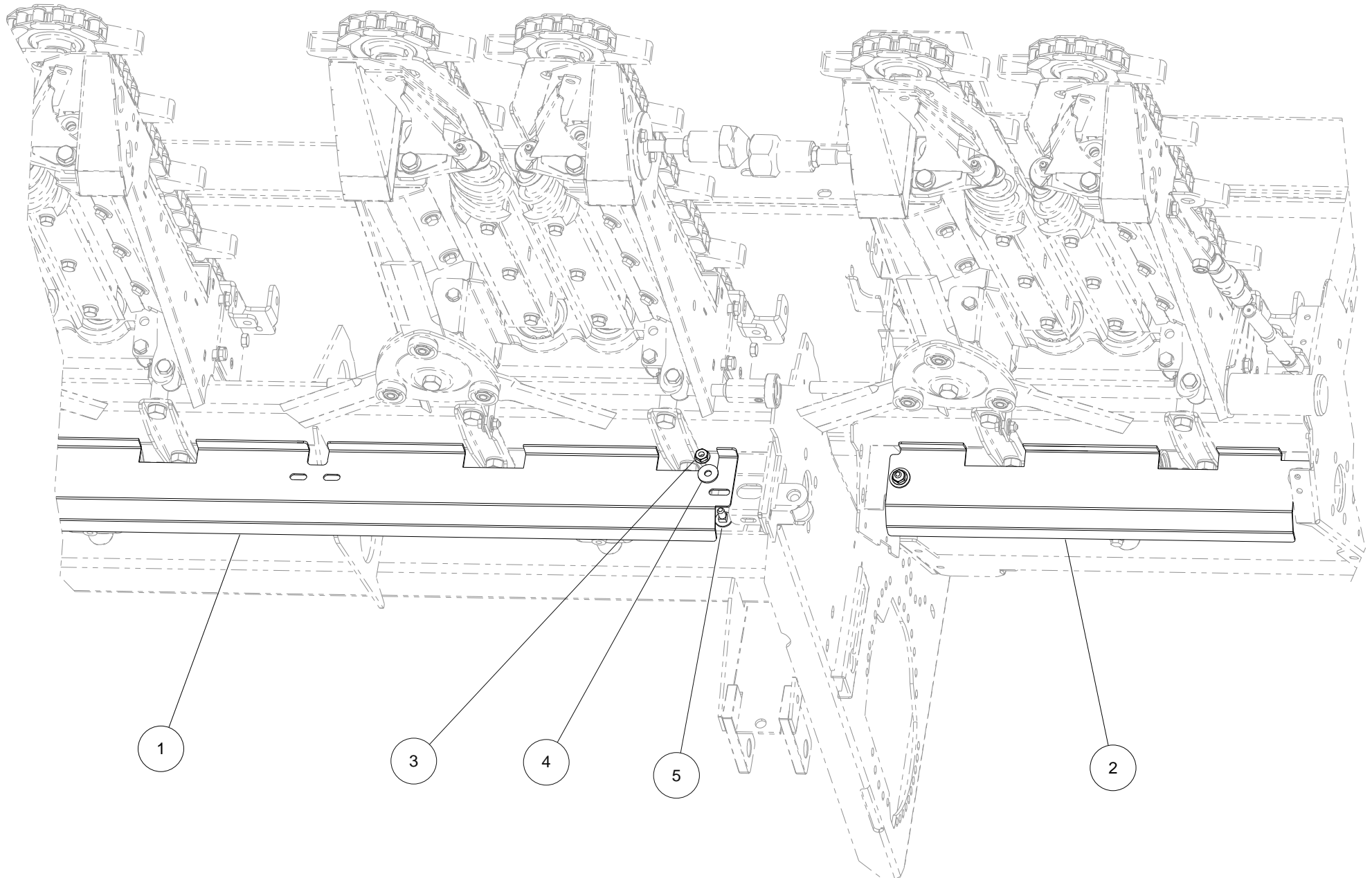
Pos	Code	Descrizione	Note	Description	Description	Beschreibung	Descripción
1	01.2585.00	LAMIERA RIPARO TRINCIASTOCCHI	750-800	GUARD	GARANT	SCHUTZ	REPARO
1	01.2592.00	LAMIERA RIPARO TRINCIASTOCCHI	700	GUARD	GARANT	SCHUTZ	REPARO
2	01.2586.00	LAMIERA RIPARO TRINCIASTOCCHI DESTRA		RIGHT GUARD	GARANT DROITE	SCHUTZ RECHTS	REPARO DERECHO
2	01.2587.00	LAMIERA RIPARO TRINCIASTOCCHI SINISTRA		LEFT GUARD	GARANT GAUCHE	SCHUTZ LINKS	REPARO IZQUIERDO
3	PMF-000012	DADO TENSILOCK	M10	SECURING NUT TENSILOCK	ECROU TENSILOCK	SICHERUNGSMUTTER TENSILOCK	CONTRATUERCA TENSILOCK
4	PMF-000075	RONDELLA	10X30X2.5	WASHER	RONDELLE	SCHEIBE	ARANDELLA
5	PMF-000029	VITE TBQS	M10X25	COACH SCREW	VIS A TETE BOMBEE	FLACHRUNDSCHRAUBE	TORNILLO



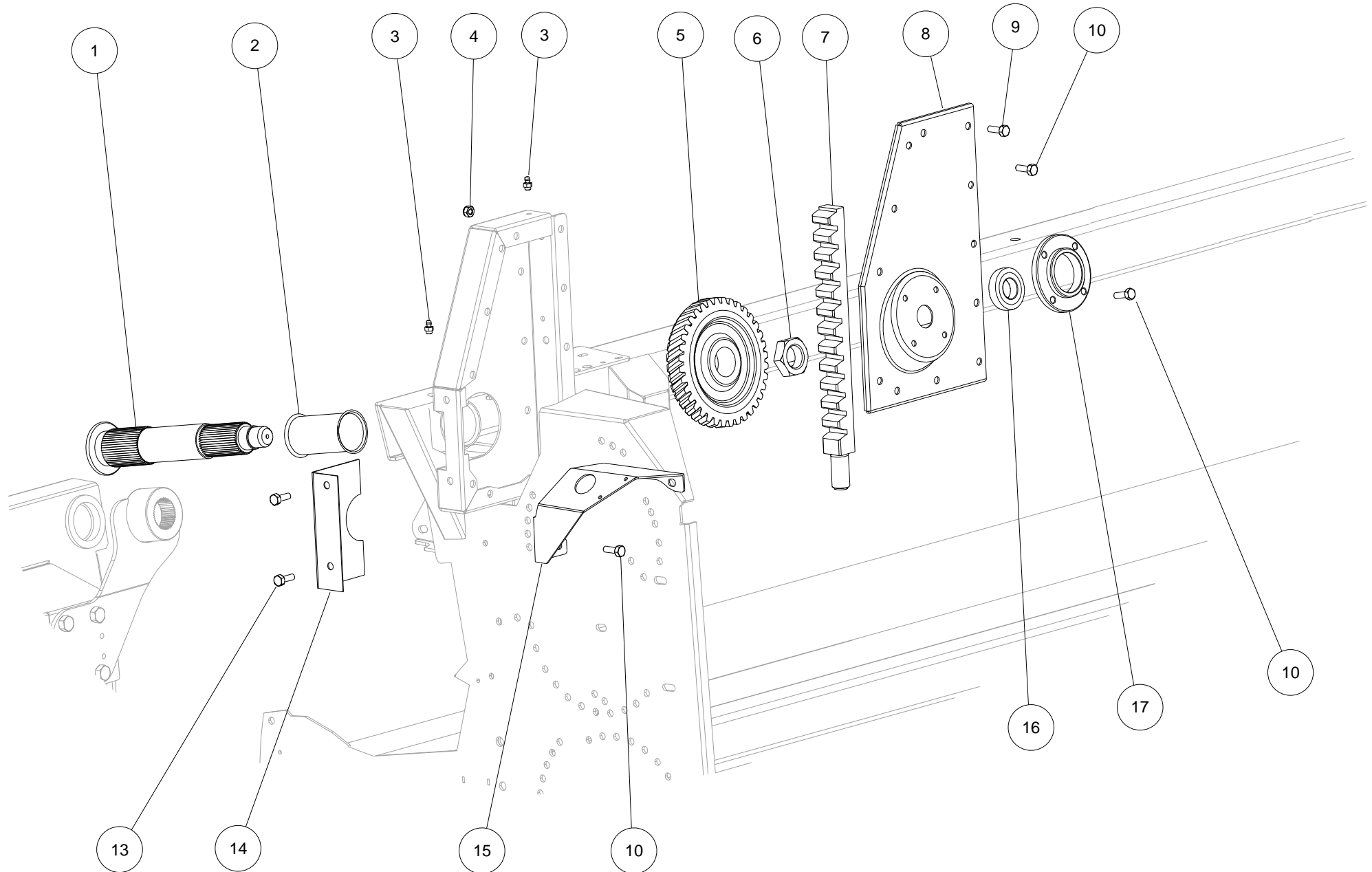
Pos	Code	Descrizione	Note	Description	Description	Beschreibung	Descripción
1	01.2596.00	LAMIERA RIPARO TRINCIASTOCCHI		GUARD	GARANT	SCHUTZ	REPARO
2	01.2318.00	LAMIERA RIPARO TRINCIASTOCCHI SINISTRA		LEFT GUARD	GARANT GAUCHE	SCHUTZ LINKS	REPARO IZQUIERDO
2	01.2406.00	LAMIERA RIPARO TRINCIASTOCCHI DESTRA		RIGHT GUARD	GARANT DROITE	SCHUTZ RECHTS	REPARO DERECHO
3	PMF-000012	DADO TENSILOCK	M10	SECURING NUT TENSILOCK	ECROU TENSILOCK	SICHERUNGSMUTTER TENSILOCK	CONTRATUERCA TENSILOCK
4	PMF-000075	RONDELLA	10X30X2.5	WASHER	RONDELLE	SCHEIBE	ARANDELLA
5	PMF-000029	VITE TBQS	M10X25	COACH SCREW	VIS A TETE BOMBEE	FLACHRUNDSCHRAUBE	TORNILLO



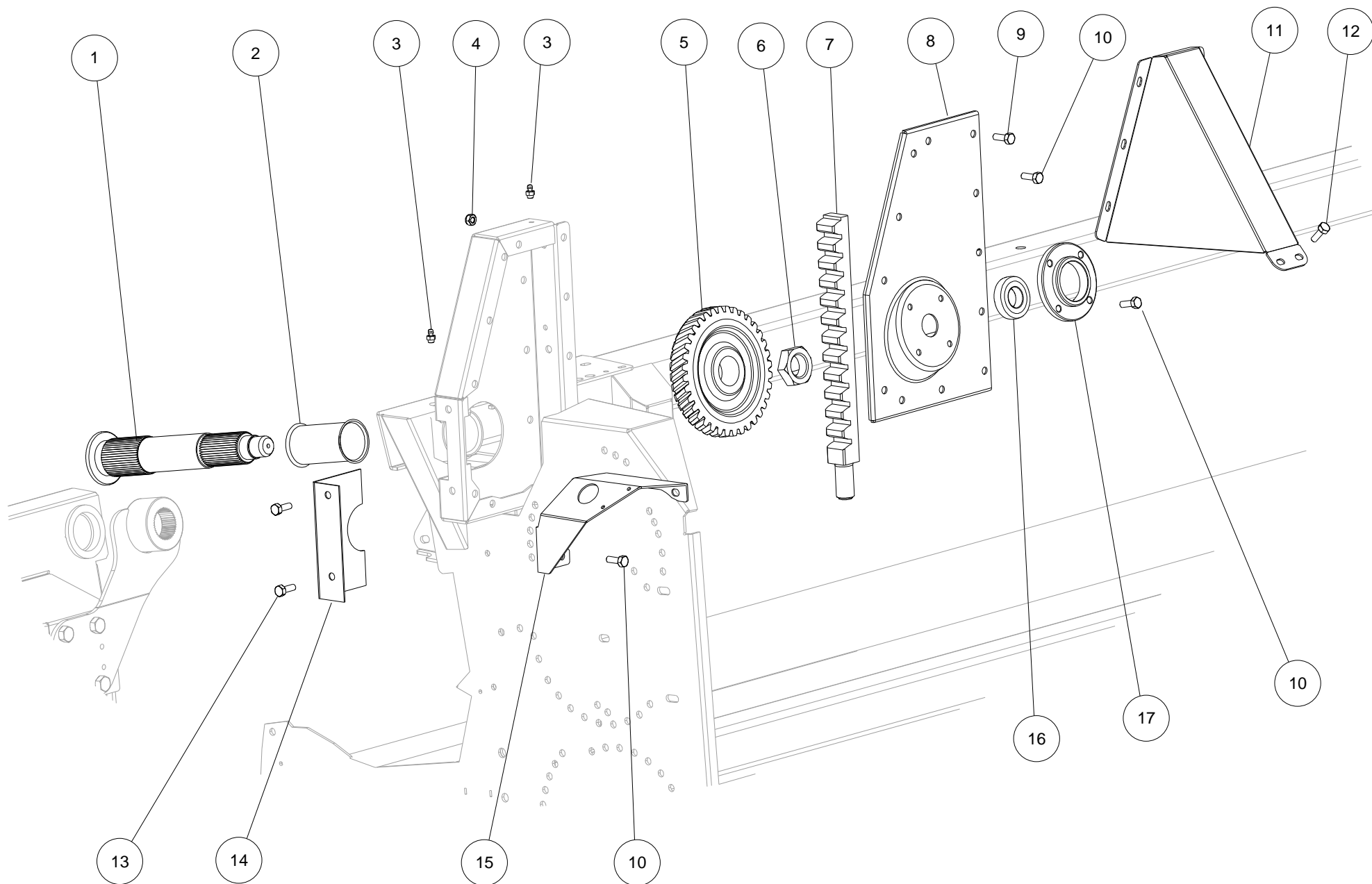
Pos	Code	Descrizione	Note	Description	Description	Beschreibung	Descripción
1	01.2405.00	LAMIERA RIPARO TRINCIASTOCCHI	(320)	GUARD	GARANT	SCHUTZ	REPARO
1	01.2410.00	LAMIERA RIPARO TRINCIASTOCCHI	(340)	GUARD	GARANT	SCHUTZ	REPARO
2	01.2406.00	LAMIERA RIPARO TRINCIASTOCCHI DESTRA		RIGHT GUARD	GARANT DROITE	SCHUTZ RECHTS	REPARO DERECHO
2	01.2407.00	LAMIERA RIPARO TRINCIASTOCCHI SINISTRA		LEFT GUARD	GARANT GAUCHE	SCHUTZ LINKS	REPARO IZQUIERDO
3	PMF-000012	DADO TENSILOCK	M10	SECURING NUT TENSILOCK	ECROU TENSILOCK	SICHERUNGSMUTTER TENSILOCK	CONTRATUERCA TENSILOCK
4	PMF-000075	RONDELLA	10X30X2.5	WASHER	RONDELLE	SCHEIBE	ARANDELLA
5	PMF-000029	VITE TBQS	M10X25	COACH SCREW	VIS A TETE BOMBEE	FLACHRUNDSCHRAUBE	TORNILLO



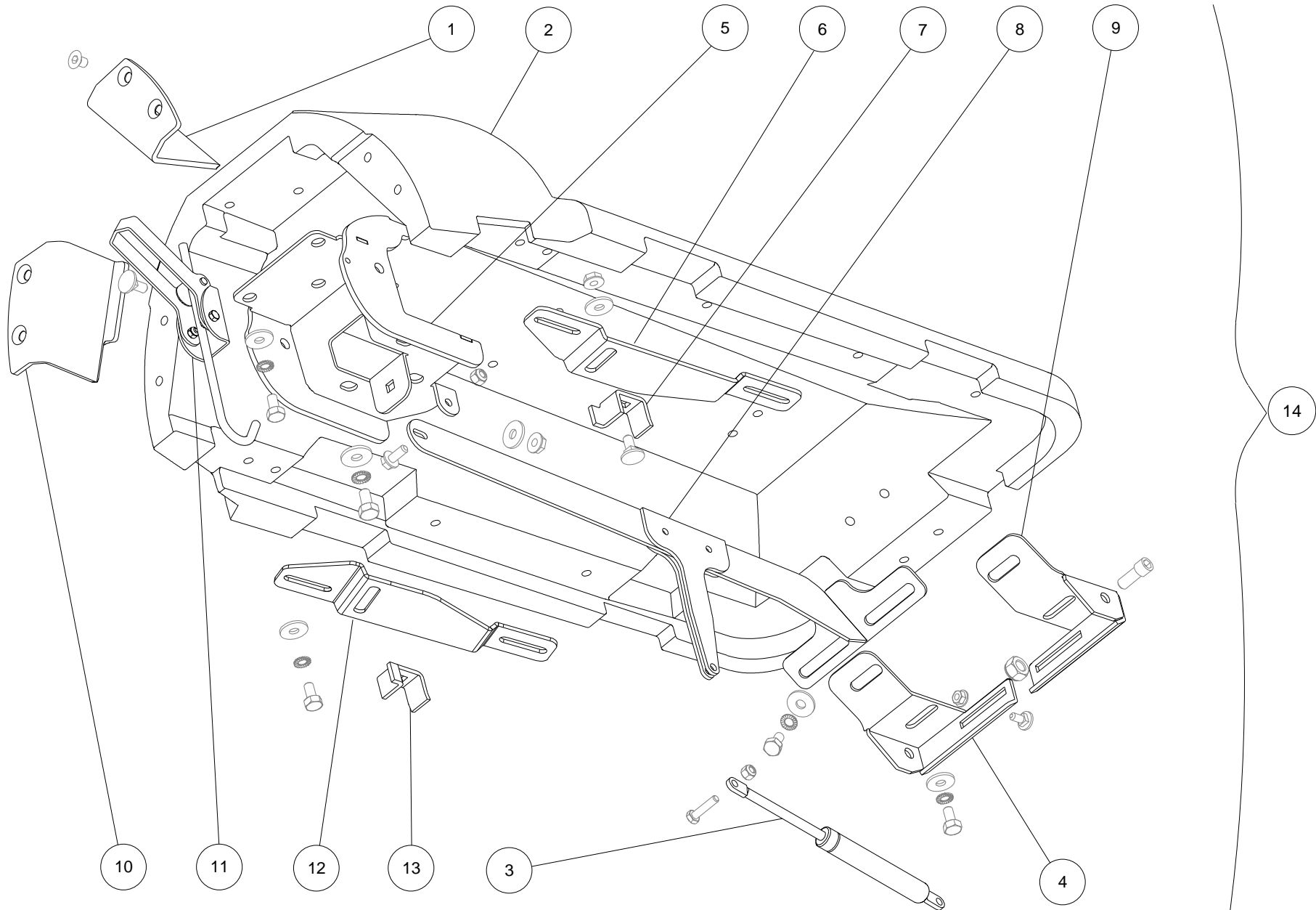
Pos	Code	Descrizione	Note	Description	Description	Beschreibung	Descripcìon
1	01.2414.00	LAMIERA RIPARO TRINCIASTOCCHI CENTRALE SINISTR		INNER-LEFT GUARD	GARANT CENTRE GAUCHE	SCHUTZ MITTE LINKS	REPARO CENTRO IZQUIERDO
1	01.2415.00	LAMIERA RIPARO TRINCIASTOCCHI CENTRALE DESTRA		INNER-RIGHT GUARD	GARANT CENTRE DROITE	SCHUTZ MITTE RECHTS	REPARO CENTRO DERECHO
2	01.2416.00	LAMIERA RIPARO TRINCIASTOCCHI SINISTRA		LEFT GUARD	GARANT GAUCHE	SCHUTZ LINKS	REPARO IZQUIERDO
2	01.2417.00	LAMIERA RIPARO TRINCIASTOCCHI DESTRA		RIGHT GUARD	GARANT DROITE	SCHUTZ RECHTS	REPARO DERECHO
3	PMF-000012	DADO TENSILOCK	M10	SECURING NUT TENSILOCK	ECROU TENSILOCK	SICHERUNGSMUTTER TENSILOCK	CONTRATUERCA TENSILOCK
4	PMF-000075	RONDELLA	10X30X2.5	WASHER	RONDELLE	SCHEIBE	ARANDELLA
5	PMF-000029	VITE TBQS	M10X25	COACH SCREW	VIS A TETE BOMBEE	FLACHRUNDSCHRAUBE	TORNILLO



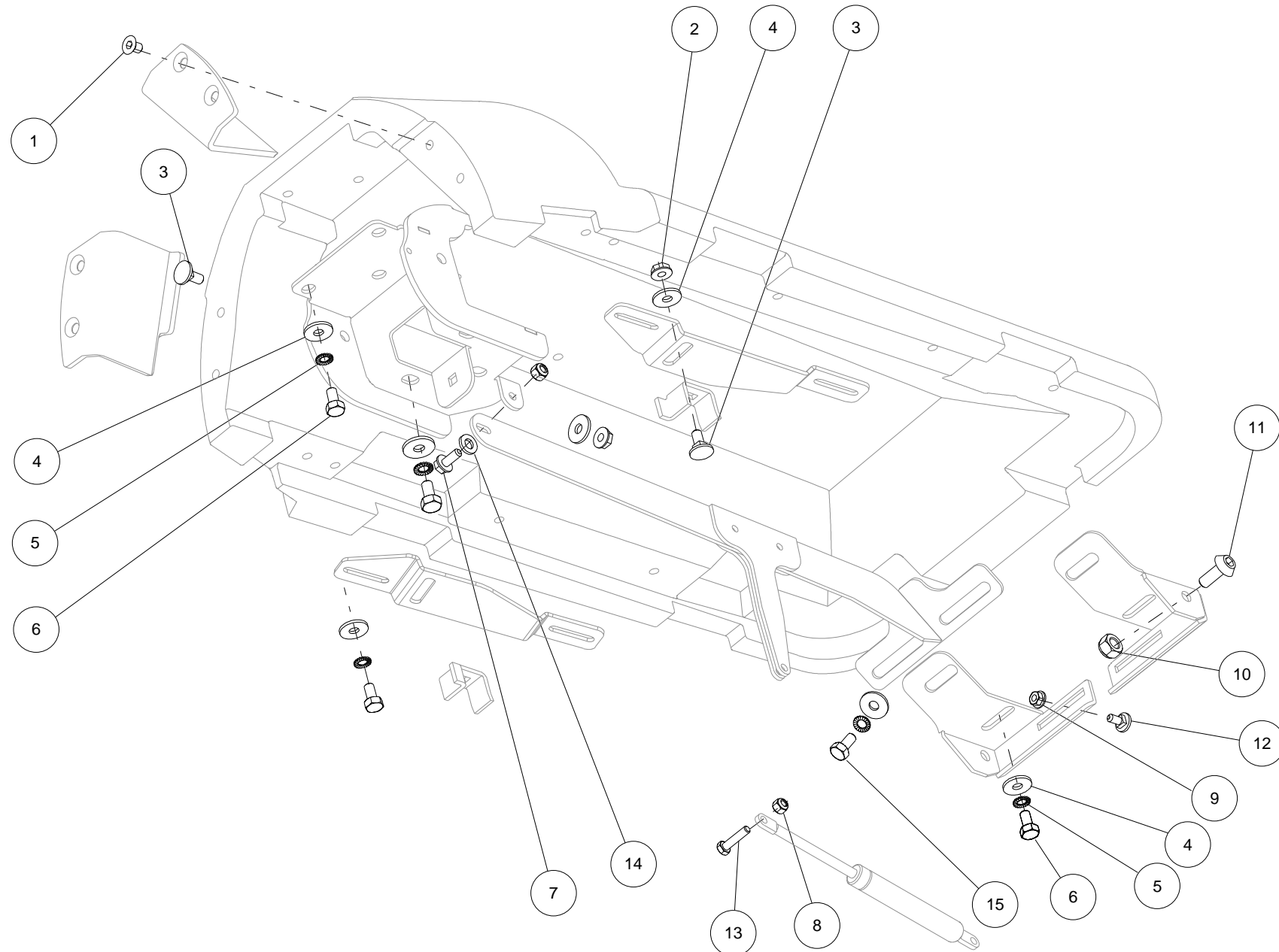
Pos	Code	Descrizione	Note	Description	Description	Beschreibung	Descripcìon
1	03.4141.00	PERNO	R5-R6	PIVOT	TETON	ZAPFEN	PIVOTE
2	03.2080.00	BRONZINA		BUSHING	DOUILLE	BÜCHSE	HEVILLA
3	02.2086.00	INGRASSATORE		GREASE NIPPLE	GRAISSEUR	SCHMIERNIPPEL	ENGRASADOR
4	PMF-000012	DADO TENSILOCK	M10	SECURING NUT TENSILOCK	ECROU TENSILOCK	SICHERUNGSMUTTER TENSILOCK	CONTRATUERCA TENSILOCK
5	03.2018.00	ROCCHETTO DESTRO		TOOTH WHEEL RIGHT	ROUE DENTEE DROITE	ZAHNRAD RECHTS	ENGRANAJE DER.
5	03.4065.00	ROCCHETTO SINISTRO		TOOTH WHEEL LEFT	ROUE DENTEE GAUCHE	ZAHNRAD LINKS	ENGRANAJE IZQ.
6	03.2028.00	DADO	M40	ECROU SIX PANS	HEXAGONAL NUT	SICHERUNGSMUTTER	CONTRATUERCA
7	03.2052.00	CREMAGLIERA		CREMAILIERE	RACK	ZAHNSTANGE	CREMALLERA
8	03.2030.00	COPERCHIO DESTRO		RIGHT COVER	COUVERTURE DROITE	DECKEL RECHTS	COBERTURA DER.
8	03.2031.00	COPERCHIO SINISTRO		LEFT COVER	COUVERTURE GAUCHE	DECKEL LINKS	COPERTURA IZQ.
9	PMF-000043	VITE TENSILOCK	M10X30	SECURING SCREW TENSILOCK	VIS TENSILOCK	SCHRAUBE TENSILOCK	TORNILLO TENSILOCK
10	PMF-000040	VITE TENSILOCK	M10X25	SECURING SCREW TENSILOCK	VIS TENSILOCK	SCHRAUBE TENSILOCK	TORNILLO TENSILOCK
13	PMF-000027	TAPPO	M8X16	COVER	COUVERCLE	DECKEL	COPERTURA
14	01.1180.00	SUPPORTO		SUPPORT	SUPPORT	ABSTUZUNG	SOPORTE
14	01.1185.00	SUPPORTO		SUPPORT	SUPPORT	ABSTUZUNG	SOPORTE
15	01.0247.00	SUPPORTO		SUPPORT	SUPPORT	ABSTUZUNG	SOPORTE
15	01.0248.00	SUPPORTO		SUPPORT	SUPPORT	ABSTUZUNG	SOPORTE
16	PMS-000065	CUSCINETTO A SFERE		BALL BEARING	ROULEMENT A BILLES	KUGELLAGER	RODAMIENTO DE BOLAS
17	01.0229.00	SUPPORTO		SUPPORT	SUPPORT	ABSTUZUNG	SOPORTE



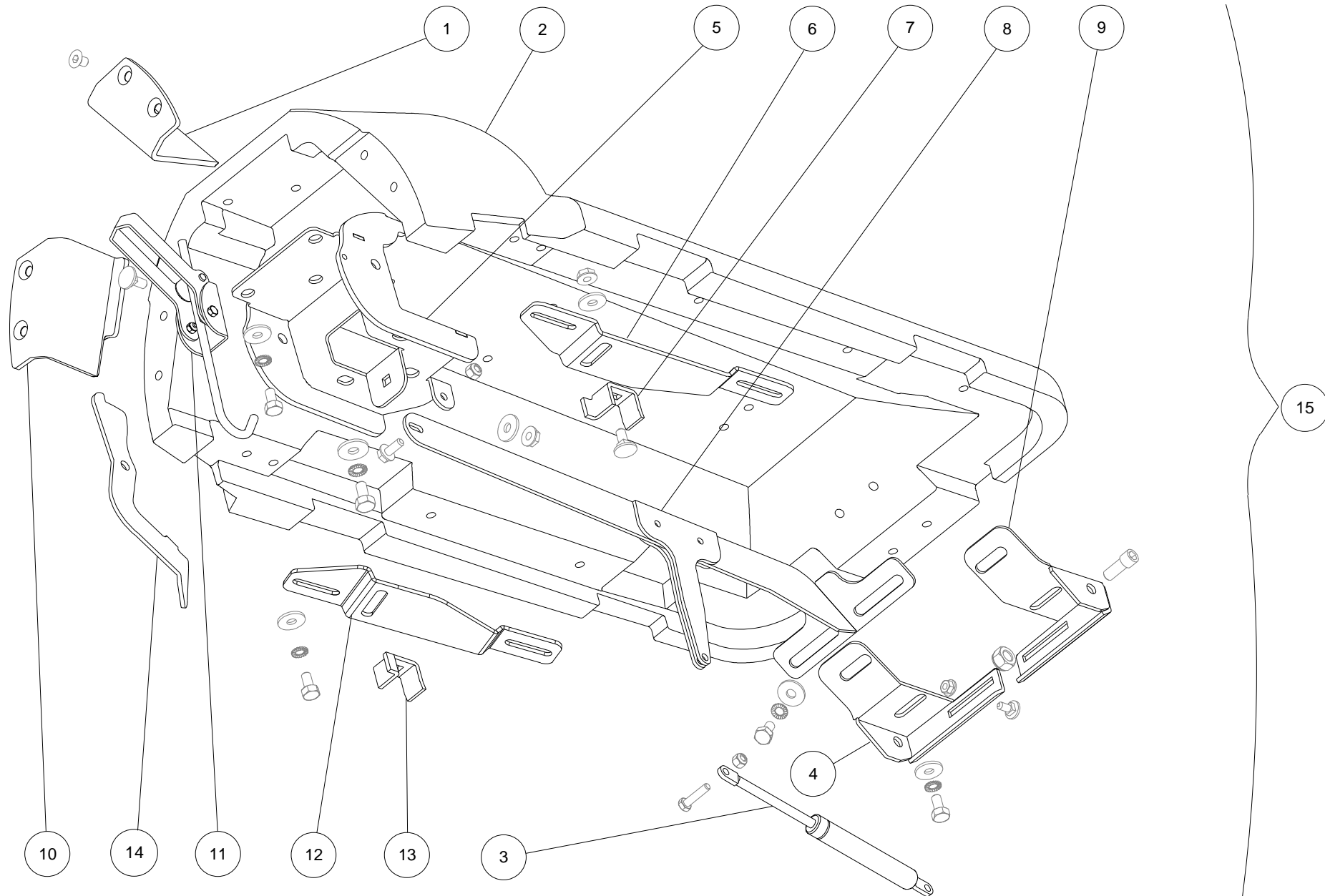
Pos	Code	Descrizione	Note	Description	Description	Beschreibung	Descripcìon
1	03.4131.00	PERNO	R8	PIVOT	TETON	ZAPFEN	PIVOTE
2	03.2080.00	BRONZINA		BUSHING	DOUILLE	BÜCHSE	HEVILLA
3	02.2086.00	INGRASSATORE		GREASE NIPPLE	GRAISSEUR	SCHMIERNIPPEL	ENGRASADOR
4	PMF-000012	DADO TENSILOCK	M10	SECURING NUT TENSILOCK	ECROU TENSILOCK	SICHERUNGSMUTTER TENSILOCK	CONTRATUERCA TENSILOCK
5	03.4063.00	INGRANAGGIO		GEAR	ROUE DENTEE	STINRAD	ENGRANAJE
5	03.4064.00	INGRANAGGIO		GEAR	ROUE DENTEE	STINRAD	ENGRANAJE
6	03.2028.00	DADO	M40	ECROU SIX PANS	HEXAGONAL NUT	SICHERUNGSMUTTER	CONTRATUERCA
8	03.2196.00	COPERCHIO		COVER	COUVERTURE	DECKEL	COPERTURA
8	03.2197.00	COPERCHIO		COVER	COUVERTURE	DECKEL	COPERTURA
7	03.4061.00	CREMAGLIERA		RACK	CREMAILLIERE	ZAHNSTANGE	CREMALLERA
9	PMF-000043	VITE TENSILOCK	M10X30	SECURING SCREW TENSILOCK	VIS TENSILOCK	SCHRAUBE TENSILOCK	TORNILLO TENSILOCK
10	PMF-000040	VITE TENSILOCK	M10X25	SECURING SCREW TENSILOCK	VIS TENSILOCK	SCHRAUBE TENSILOCK	TORNILLO TENSILOCK
11	03.2085.00	PROTEZIONE		PROTECTION	PROTECTION	SCHUTZ	PROTECCION
11	03.2090.00	PROTEZIONE		PROTECTION	PROTECTION	SCHUTZ	PROTECCION
12	PMF-000064	VITE TENSILOCK	M10X20	SCREW TENSILOCK	VIS TENSILOCK	SCHRAUBE TENSILOCK	TORNILLO TENSILOCK
13	PMF-000027	TAPPO	M8X16	COVER	COUVERCLE	DECKEL	COPERTURA
14	01.1180.00	SUPPORTO		SUPPORT	SUPPORT	ABSTUZUNG	SOPORTE
14	01.1185.00	SUPPORTO		SUPPORT	SUPPORT	ABSTUZUNG	SOPORTE
15	01.0247.00	SUPPORTO		SUPPORT	SUPPORT	ABSTUZUNG	SOPORTE
15	01.0248.00	SUPPORTO		SUPPORT	SUPPORT	ABSTUZUNG	SOPORTE
16	PMS-000065	CUSCINETTO A SFERE		BALL BEARING	ROULEMENT A BILLES	KUGELLAGER	RODAMIENTO DE BOLAS
17	01.0229.00	SUPPORTO		SUPPORT	SUPPORT	ABSTUZUNG	SOPORTE



Pos	Code	Descrizione	Note	Description	Description	Beschreibung	Descripcìon
1	01.0966.01	PIASTRA SINISTRA BATTUTAPUNTA		LEFT PLATE	PLAQUE GAUCHE	PLATTE LINKS	PLACA IZQUIERDA
2	03.4105.00-R	COFANO CENTRALE	750	CENTRAL BONNET	TOLE DE DIVISEUR CENTRAL	VERKLEIDUNG MITTE	TAPA CENTRAL
2	03.4106.00-R	COFANO CENTRALE	700	CENTRAL BONNET	TOLE DE DIVISEUR CENTRAL	VERKLEIDUNG MITTE	TAPA CENTRAL
2	03.4107.00-R	COFANO CENTRALE	800	CENTRAL BONNET	TOLE DE DIVISEUR CENTRAL	VERKLEIDUNG MITTE	TAPA CENTRAL
3	PMS-000018	PISTONE A GAS		GAS SPRING	GAS RESSORT	GASKOLBENS	RESORTES GAS
4	01.0948.00	CERNIERA DESTRA	800	RIGHT HINGE	CHARNIERE DROITE	SCHARNIER RECHTS	BISEGRA DERECHA
4	01.0959.00	CERNIERA DESTRA	700/750	RIGHT HINGE	CHARNIERE DROITE	SCHARNIER RECHTS	BISEGRA DERECHA
5	01.0957.00	CERNIERA		HINGE	CHARNIERE	SCHARNIER	BISAGRA
6	01.0963.01	PIASTRA SINISTRA		LEFT PLATE	PLAQUE GAUCHE	PLATTE LINKS	PLACA IZQUIERDA
7	01.0762.00	SUPPORTO SINISTRO		LEFT SUPPORT	SUPPORT GAUCHE	BUGELHALTER LINKS	SOPORTE IZQUIERDO
8	03.4360.01	SUPPORTO		SUPPORT	SUPPORT	ABSTUZUNG	SOPORTE
9	01.0947.00	CERNIERA SINISTRA	800	LEFT HINGE	CHARNIERE GAUCHE	SCHARNIER LINKS	BISAGRA IZQUIERDA
9	01.0960.00	CERNIERA SINISTRA	700/750	LEFT HINGE	CHARNIERE GAUCHE	SCHARNIER LINKS	BISAGRA IZQUIERDA
10	01.0965.01	PIASTRA DESTRA BATTUTA PUNTA		RIGHT PLATE	PLAQUE DROITE	PLATTE RECHTS	PLACA DERECHA
11	01.0108.01	GANCIO		HOOK	CROCHET	VERSCHLUSSHAKEN	GANCHO
12	01.0964.01	PIASTRA DESTRA		RIGHT PLATE	PLAQUE DROITE	PLATTE RECHTS	PLACA DERECHA
13	01.0761.00	SUPPORTO DESTRO		RIGHT SUPPORT	SUPPORT DROITE	BUGELHALTER RECHTS	SOPORTE DERECHO
14	01.1163.01-R	COFANO CENTRALE COMPLETO	750	CENTRAL BONNET COMPLETE	TOLE DE DIVISEUR CENTRAL COMPLETE	VERKLEIDUNG MITTE KOMPLETT	TAPA CENTRAL COMPLETA
14	01.1164.01-R	COFANO CENTRALE COMPLETO	700	CENTRAL BONNET COMPLETE	TOLE DE DIVISEUR CENTRAL COMPLETE	VERKLEIDUNG MITTE KOMPLETT	TAPA CENTRAL COMPLETA
14	01.1165.01-R	COFANO CENTRALE COMPLETO	800	CENTRAL BONNET COMPLETE	TOLE DE DIVISEUR CENTRAL COMPLETE	VERKLEIDUNG MITTE KOMPLETT	TAPA CENTRAL COMPLETA



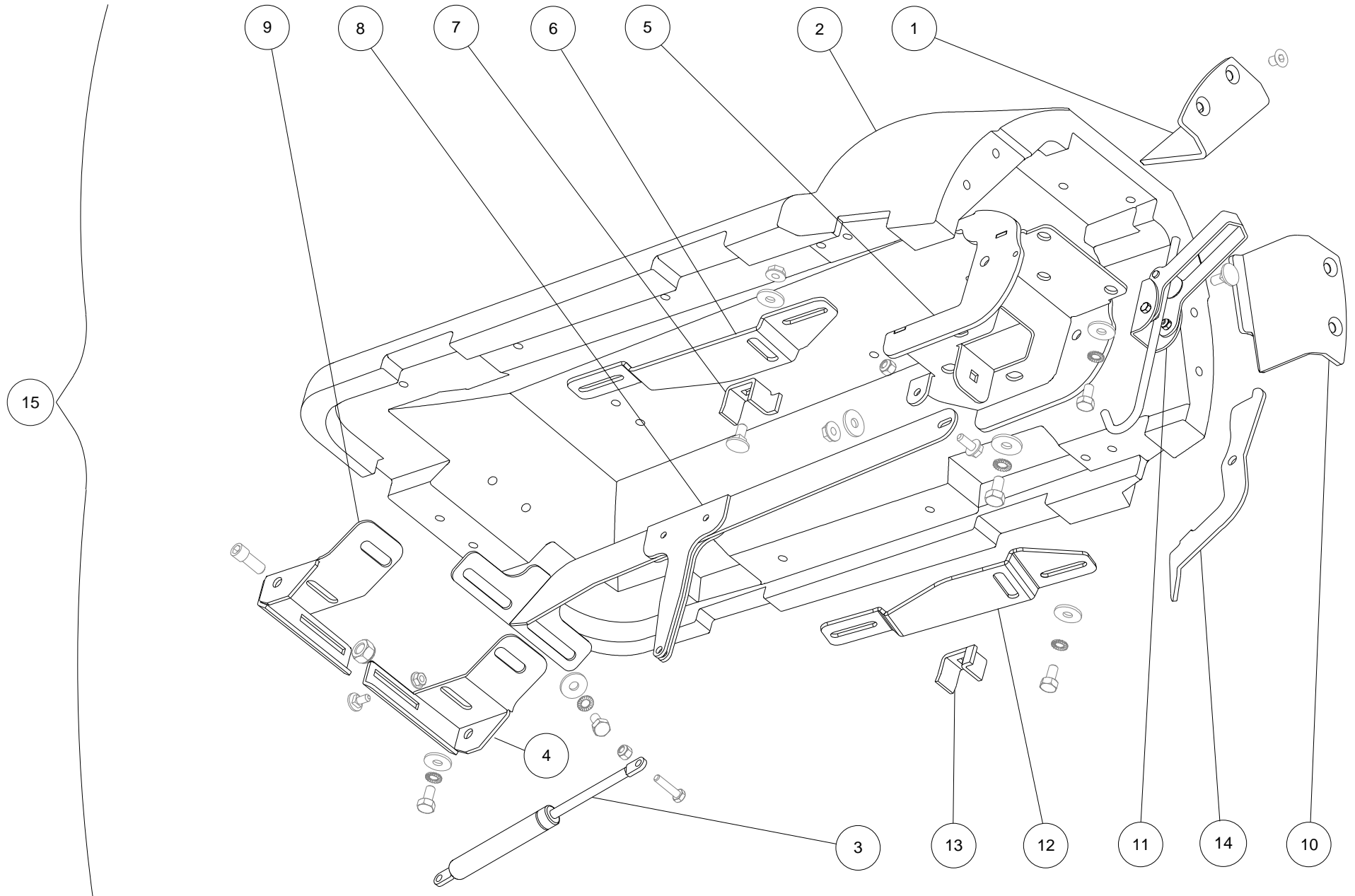
Pos	Code	Descrizione	Note	Description	Description	Beschreibung	Descripcìon
1	PMF-000135	VITE TSEI	M10X20	COUNTERSUNK SCREW	VIS A TETE FRAISEE	SENKSCHRAUBE	TORNILLO
2	PMF-000012	DADO TENSILOCK	M10	SECURING NUT TENSILOCK	ECROU TENSILOCK	SICHERUNGSMUTTER TENSILOCK	CONTRATUERCA TENSILOCK
3	PMF-000029	VITE TBQS	M10X25	COACH SCREW	VIS A TETE BOMBEE	FLACHRUNDSCHRAUBE	TORNILLO
4	PMF-000075	RONDELLA	10X30X2.5	WASHER	RONDELLE	SCHEIBE	ARANDELLA
5	PMF-000391	RONDELLA	10X18	WASHER	RONDELLE	SCHEIBE	ARANDELLA
6	PMF-000134	VITE TE	M10X20	HEXAGONAL SCREW	VIS SIX PANS	SECHSKANTSCHRAUBE	TORNILLO
7	PMF-000147	VITE TE	M8X20	HEXAGONAL SCREW	VIS SIX PANS	SECHSKANTSCHRAUBE	TORNILLO
8	PMF-000026	DADO AUTOBLOCCANTE	M8	SECURING NUT	ECROU INDESSERRAB	SICHERUNGSMUTTER	CONTRATUERCA
9	PMF-000016	DADO TENSILOCK	M8	SECURING NUT TENSILOCK	ECROU TENSILOCK	SICHERUNGSMUTTER TENSILOCK	CONTRATUERCA TENSILOCK
10	PMF-000414	DADO AUTOBLOCCANTE	M12	SECURING NUT	ECROU INDESSERRAB	SICHERUNGSMUTTER	CONTRATUERCA
11	PMF-000407	VITE TBEI	M12X30	COACH SCREW	VIS A TETE BOMBEE	FLACHRUNDSCHRAUBE	TORNILLO
12	PMF-000017	VITE TBQS	M8X20	COACH SCREW	VIS A TETE BOMBEE	FLACHRUNDSCHRAUBE	TORNILLO
13	PMF-000602	VITE TE	M8X30	HEXAGONAL SCREW	VIS SIX PANS	SECHSKANTSCHRAUBE	TORNILLO
14	PMF-000075	RONDELLA		WASHER	RONDELLE	SCHEIBE	ARANDELLA
15	PMF-000132	VITE TE	M10X30	HEXAGONAL SCREW	VIS SIX PANS	SECHSKANTSCHRAUBE	TORNILLO



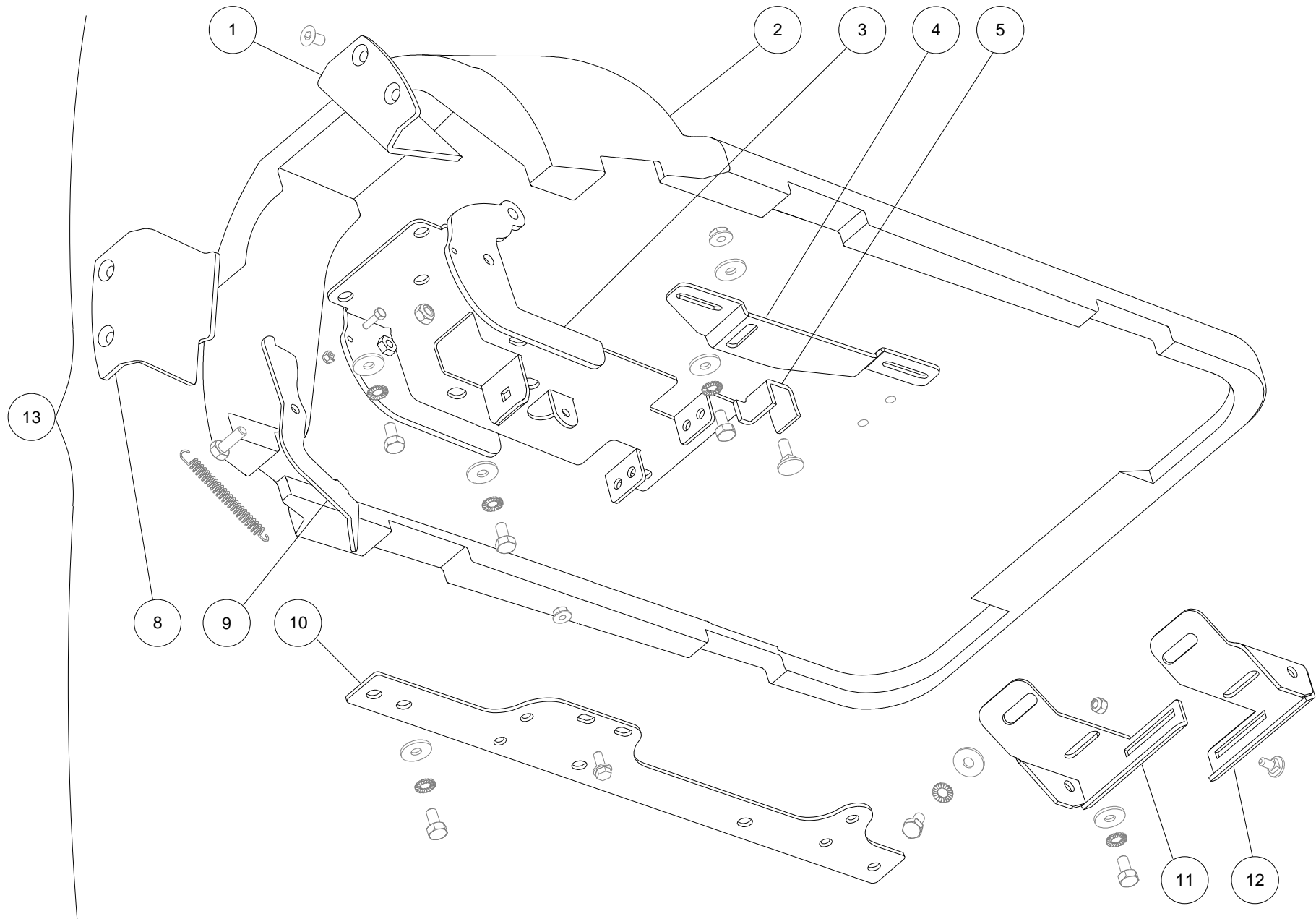
Pos	Code	Descrizione	Note	Description	Description	Beschreibung	Descripcìon
1	01.0966.01	PIASTRA SINISTRA BATTUTAPUNTA		LEFT PLATE	PLAQUE GAUCHE	PLATTE LINKS	PLACA IZQUIERDA
2	03.4105.00-R	COFANO CENTRALE	750	CENTRAL BONNET	TOLE DE DIVISEUR CENTRAL	VERKLEIDUNG MITTE	TAPA CENTRAL
2	03.4106.00-R	COFANO CENTRALE	700	CENTRAL BONNET	TOLE DE DIVISEUR CENTRAL	VERKLEIDUNG MITTE	TAPA CENTRAL
2	03.4107.00-R	COFANO CENTRALE	800	CENTRAL BONNET	TOLE DE DIVISEUR CENTRAL	VERKLEIDUNG MITTE	TAPA CENTRAL
3	PMS-000018	PISTONE A GAS		GAS SPRING	GAS RESSORT	GASKOLBENS	RESORTES GAS
4	01.0948.00	CERNIERA DESTRA	800	RIGHT HINGE	CHARNIERE DROITE	SCHARNIER RECHTS	BISEGRA DERECHA
4	01.0959.00	CERNIERA DESTRA	700/750	RIGHT HINGE	CHARNIERE DROITE	SCHARNIER RECHTS	BISEGRA DERECHA
5	01.0958.00	CERNIERA		HINGE	CHARNIERE	SCHARNIER	BISAGRA
6	01.0963.01	PIASTRA SINISTRA		LEFT PLATE	PLAQUE GAUCHE	PLATTE LINKS	PLACA IZQUIERDA
7	01.0762.00	SUPPORTO SINISTRO		LEFT SUPPORT	SUPPORT GAUCHE	BUGELHALTER LINKS	SOPORTE IZQUIERDO
8	03.4360.01	SUPPORTO		SUPPORT	SUPPORT	ABSTUZUNG	SOPORTE
9	01.0947.00	CERNIERA SINISTRA	800	LEFT HINGE	CHARNIERE GAUCHE	SCHARNIER LINKS	BISAGRA IZQUIERDA
9	01.0960.00	CERNIERA SINISTRA	700/750	LEFT HINGE	CHARNIERE GAUCHE	SCHARNIER LINKS	BISAGRA IZQUIERDA
10	01.0965.01	PIASTRA DESTRA BATTUTA PUNTA		RIGHT PLATE	PLAQUE DROITE	PLATTE RECHTS	PLACA DERECHA
11	01.0108.01	GANCIO		HOOK	CROCHET	VERSCHLUSSHAKEN	GANCHO
12	01.0964.01	PIASTRA DESTRA		RIGHT PLATE	PLAQUE DROITE	PLATTE RECHTS	PLACA DERECHA
13	01.0761.00	SUPPORTO DESTRO		RIGHT SUPPORT	SUPPORT DROITE	BUGELHALTER RECHTS	SOPORTE DERECHO
14	01.0976.00	STAFFA DESTRA		RIGHT BRACKET	SUPPORT DROITE	BUEGEL RECHTS	SOPORTE DERECHO
15	01.2773.00-R	COFANO COMPLETO BRACCIO DESTRO	750	RIGHT ARM BONNET COMPLETE	TOLE DE DIVISEUR BRAS DROITE COMPLETE	VERKLEIDUNG AUSLEGER RECHT KOMPLETT	TAPA BRAZO DERECHO COMPLET
15	01.2872.00-R	COFANO COMPLETO BRACCIO DESTRO	700	RIGHT ARM BONNET COMPLETE	TOLE DE DIVISEUR BRAS DROITE COMPLETE	VERKLEIDUNG AUSLEGER RECHT KOMPLETT	TAPA BRAZO DERECHO COMPLET
15	01.2874.00-R	COFANO COMPLETO BRACCIO DESTRO	800	RIGHT ARM BONNET COMPLETE	TOLE DE DIVISEUR BRAS DROITE COMPLETE	VERKLEIDUNG AUSLEGER RECHT KOMPLETT	TAPA BRAZO DERECHO COMPLET

CENTER HOOD LEFT ARM

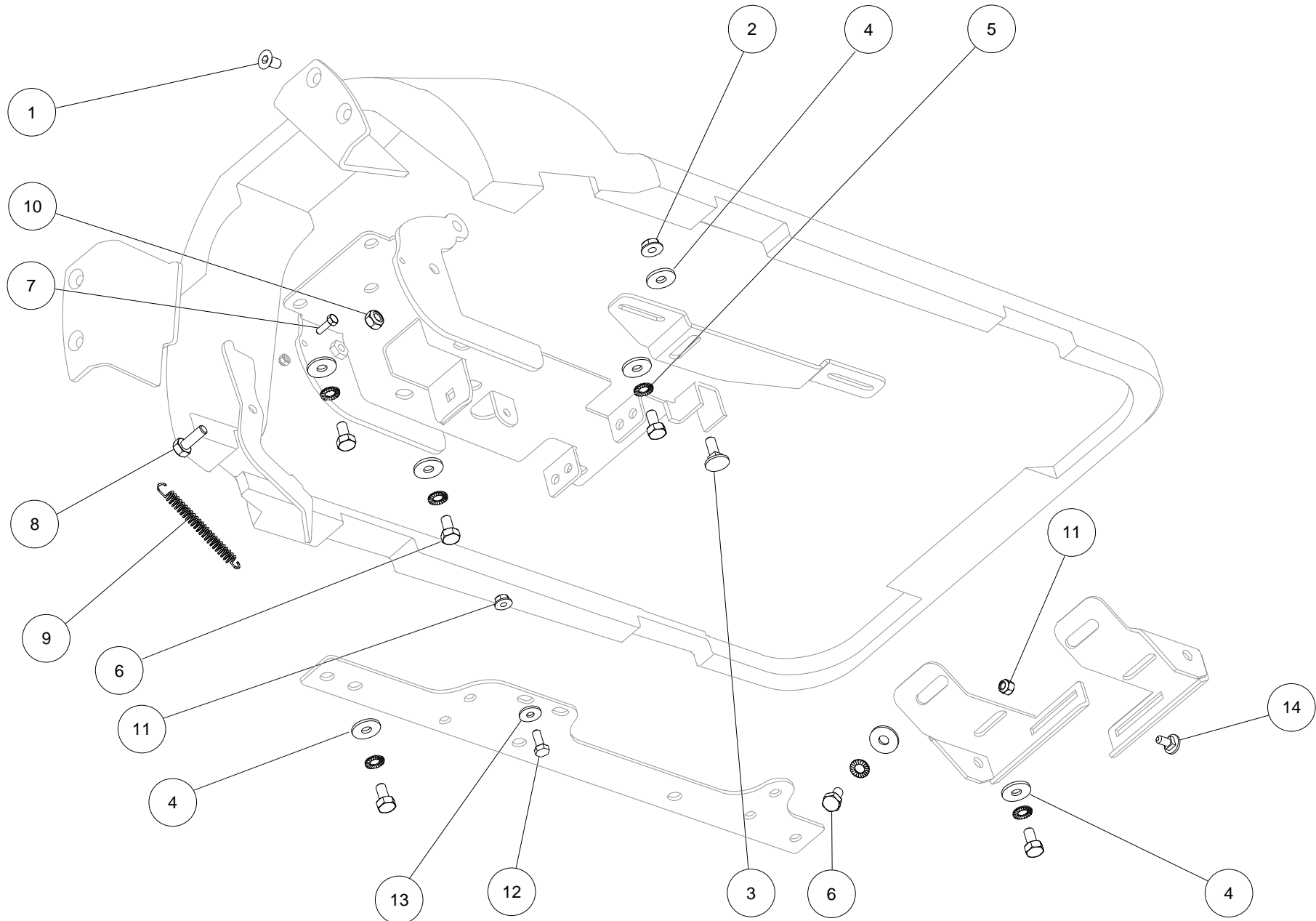
COFANO CENTRALE BRACCIO SINISTRO



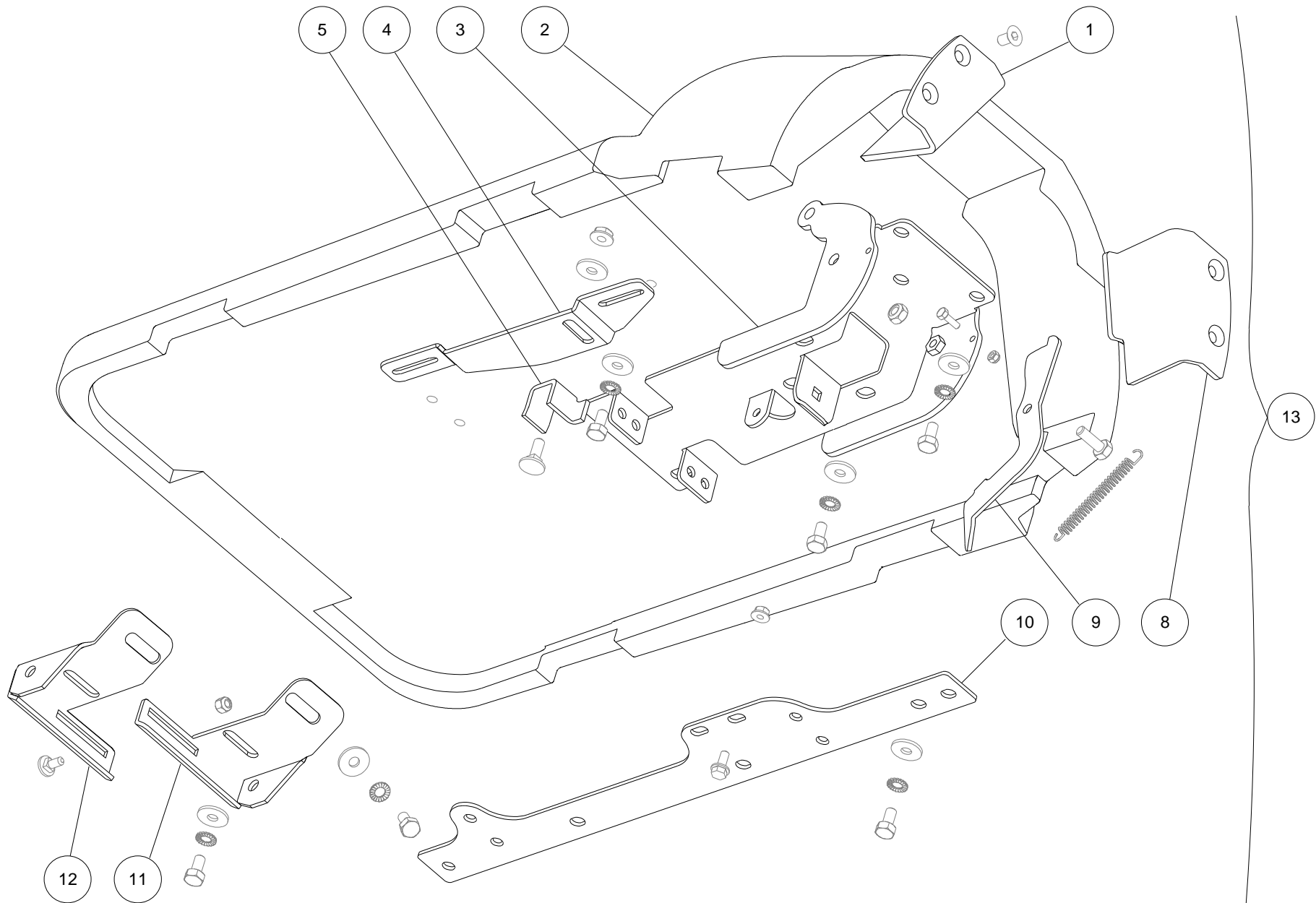
Pos	Code	Descrizione	Note	Description	Description	Beschreibung	Descripcìon
1	01.0966.01	PIASTRA SINISTRA BATTUTAPUNTA		LEFT PLATE	PLAQUE GAUCHE	PLATTE LINKS	PLACA IZQUIERDA
2	03.4105.00-R	COFANO CENTRALE	750	CENTRAL BONNET	TOLE DE DIVISEUR CENTRAL	VERKLEIDUNG MITTE	TAPA CENTRAL
2	03.4106.00-R	COFANO CENTRALE	700	CENTRAL BONNET	TOLE DE DIVISEUR CENTRAL	VERKLEIDUNG MITTE	TAPA CENTRAL
2	03.4107.00-R	COFANO CENTRALE	800	CENTRAL BONNET	TOLE DE DIVISEUR CENTRAL	VERKLEIDUNG MITTE	TAPA CENTRAL
3	PMS-000018	PISTONE A GAS		GAS SPRING	GAS RESSORT	GASKOLBENS	RESORTES GAS
4	01.0959.00	CERNIERA DESTRA	700/750	RIGHT HINGE	CHARNIERE DROITE	SCHARNIER RECHTS	BISEGRA DERECHA
5	01.0958.00	CERNIERA		HINGE	CHARNIERE	SCHARNIER	BISAGRA
6	01.0964.01	PIASTRA DESTRA		RIGHT PLATE	PLAQUE DROITE	PLATTE RECHTS	PLACA DERECHA
7	01.0762.00	SUPPORTO SINISTRO		LEFT SUPPORT	SUPPORT GAUCHE	BUGELHALTER LINKS	SOPORTE IZQUIERDO
8	03.4360.01	SUPPORTO		SUPPORT	SUPPORT	ABSTUZZUNG	SOPORTE
9	01.0960.00	CERNIERA SINISTRA	700/750	LEFT HINGE	CHARNIERE GAUCHE	SCHARNIER LINKS	BISAGRA IZQUIERDA
10	01.0965.01	PIASTRA DESTRA BATTUTA PUNTA		RIGHT PLATE	PLAQUE DROITE	PLATTE RECHTS	PLACA DERECHA
11	01.0108.01	GANCIO		HOOK	CROCHET	VERSCHLUSSHAKEN	GANCHO
12	01.0963.01	PIASTRA SINISTRA		LEFT PLATE	PLAQUE GAUCHE	PLATTE LINKS	PLACA IZQUIERDA
13	01.0761.00	SUPPORTO DESTRO		RIGHT SUPPORT	SUPPORT DROITE	BUGELHALTER RECHTS	SOPORTE DERECHO
14	01.0975.00	STAFFA SINISTRA		LEFT BRACKET	SUPPORT GAUCHE	BUEGEL LINKS	SOPORTE IZQUIERDO
15	01.2774.00-R	COFANO COMPLETO BRACCIO SINISTRO	750	LEFT ARM BONNET COMPLETE	TOLE DE DIVISEUR BRAS GAUCHE COMPLETE	VERKLEIDUNG AUSLEGER LINK KOMPLET	TAPA BRAZO IZQUIERDO COMPLETA
15	01.2873.00-R	COFANO COMPLETO BRACCIO SINISTRO	700	LEFT ARM BONNET COMPLETE	TOLE DE DIVISEUR BRAS GAUCHE COMPLETE	VERKLEIDUNG AUSLEGER LINK KOMPLET	TAPA BRAZO IZQUIERDO COMPLETA
15	01.2875.00-R	COFANO COMPLETO BRACCIO SINISTRO	800	LEFT ARM BONNET COMPLETE	TOLE DE DIVISEUR BRAS GAUCHE COMPLETE	VERKLEIDUNG AUSLEGER LINK KOMPLET	TAPA BRAZO IZQUIERDO COMPLETA



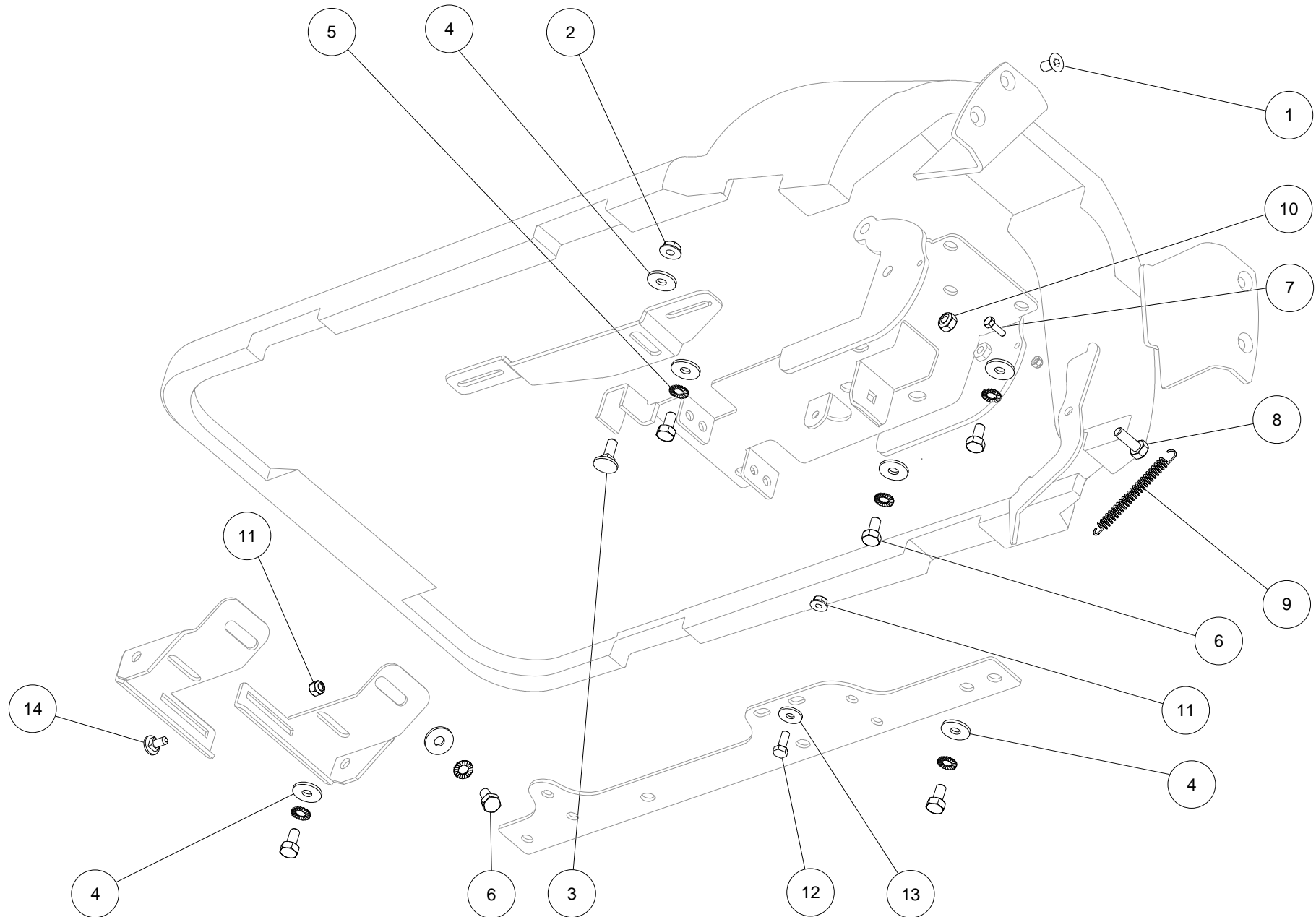
Pos	Code	Descrizione	Note	Description	Description	Beschreibung	Descripcìon
1	01.0966.01	PIASTRA SINISTRA BATTUTAPUNTA		LEFT PLATE	PLAQUE GAUCHE	PLATTE LINKS	PLACA IZQUIERDA
2	03.4105.00-R	COFANO CENTRALE	750	CENTRAL BONNET	TOLE DE DIVISEUR CENTRAL	VERKLEIDUNG MITTE	TAPA CENTRAL
2	03.4106.00-R	COFANO CENTRALE	700	CENTRAL BONNET	TOLE DE DIVISEUR CENTRAL	VERKLEIDUNG MITTE	TAPA CENTRAL
2	03.4107.00-R	COFANO CENTRALE	800	CENTRAL BONNET	TOLE DE DIVISEUR CENTRAL	VERKLEIDUNG MITTE	TAPA CENTRAL
3	01.0958.00	CERNIERA		HINGE	CHARNIERE	SCHARNIER	BISAGRA
4	01.0963.01	PIASTRA SINISTRA		LEFT PLATE	PLAQUE GAUCHE	PLATTE LINKS	PLACA IZQUIERDA
5	01.0762.00	SUPPORTO SINISTRO		LEFT SUPPORT	SUPPORT GAUCHE	BUGELHALTER LINKS	SOPORTE IZQUIERDO
8	01.0965.01	PIASTRA DESTRA BATTUTA PUNTA		RIGHT PLATE	PLAQUE DROITE	PLATTE RECHTS	PLACA DERECHA
9	01.0976.00	STAFFA DESTRA		RIGHT BRACKET	SUPPORT DROITE	BUEGEL RECHTS	SOPORTE DERECHO
10	01.0970.00	PIASTRA DESTRA		RIGHT PLATE	PLAQUE DROITE	PLATTE RECHTS	PLACA DERECHA
11	01.0948.00	CERNIERA DESTRA	800	RIGHT HINGE	CHARNIERE DROITE	SCHARNIER RECHTS	BISEGRA DERECHA
11	01.0959.00	CERNIERA DESTRA	700/750	RIGHT HINGE	CHARNIERE DROITE	SCHARNIER RECHTS	BISEGRA DERECHA
12	01.0947.00	CERNIERA SINISTRA	800	LEFT HINGE	CHARNIERE GAUCHE	SCHARNIER LINKS	BISAGRA IZQUIERDA
12	01.0960.00	CERNIERA SINISTRA	700/750	LEFT HINGE	CHARNIERE GAUCHE	SCHARNIER LINKS	BISAGRA IZQUIERDA
13	01.2860.00-R	COFANO COMPLETO CENTRALE-DESTRO	700	CENTRAL-RIGHT BONNET COMPLETE	TOLE DE DIVISEUR CENTRAL-DROITE COMPLETE	VERKLEIDUNG MITTE-RECHT KOMPLETT	TAPA CENTRAL-DERECHA COMPLETA
13	01.2862.00-R	COFANO COMPLETO CENTRALE-DESTRO	750	CENTRAL-RIGHT BONNET COMPLETE	TOLE DE DIVISEUR CENTRAL-DROITE COMPLETE	VERKLEIDUNG MITTE-RECHT KOMPLETT	TAPA CENTRAL-DERECHA COMPLETA
13	01.2864.00-R	COFANO COMPLETO CENTRALE-DESTRO	800	CENTRAL-RIGHT BONNET COMPLETE	TOLE DE DIVISEUR CENTRAL-DROITE COMPLETE	VERKLEIDUNG MITTE-RECHT KOMPLETT	TAPA CENTRAL-DERECHA COMPLETA



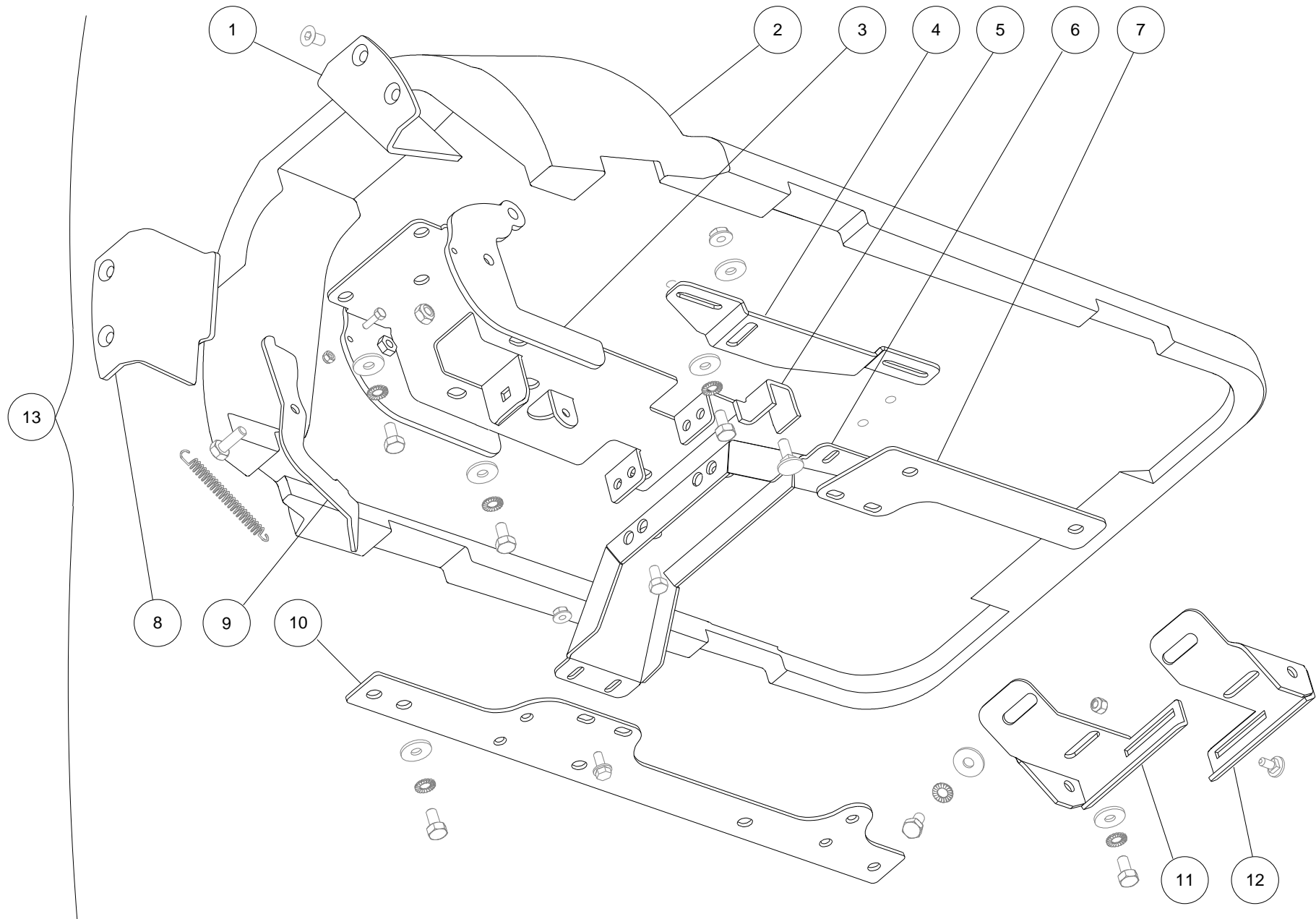
Pos	Code	Descrizione	Note	Description	Description	Beschreibung	Descripcìon
1	PMF-000135	VITE TSEI	M10X20	COUNTERSUNK SCREW	VIS A TETE FRAISEE	SENKSCHRAUBE	TORNILLO
2	PMF-000012	DADO TENSILOCK	M10	SECURING NUT TENSILOCK	ECROU TENSILOCK	SICHERUNGSMUTTER TENSILOCK	CONTRATUERCA TENSILOCK
3	PMF-000029	VITE TBQS	M10X25	COACH SCREW	VIS A TETE BOMBEE	FLACHRUNDSCHRAUBE	TORNILLO
4	PMF-000075	RONDELLA	10X30X2.5	WASHER	RONDELLE	SCHEIBE	ARANDELLA
5	PMF-000391	RONDELLA	10X18	WASHER	RONDELLE	SCHEIBE	ARANDELLA
6	PMF-000134	VITE TE	M10X20	HEXAGONAL SCREW	VIS SIX PANS	SECHSKANTSCHRAUBE	TORNILLO
7	PMF-000381	VITE TE	M6X30	HEXAGONAL SCREW	VIS SIX PANS	SECHSKANTSCHRAUBE	TORNILLO
8	PMF-000602	VITE TE	M10X30	HEXAGONAL SCREW	VIS SIX PANS	SECHSKANTSCHRAUBE	TORNILLO
9	M1-30336	MOLLA		COMPRESS SPRING	RESSORT	DRUCKFEDER	MUELLE
10	PMF-000068	DADO AUTOBLOCCANTE	M10	SECURING NUT	ECROU INDESSERRAB	SICHERUNGSMUTTER	CONTRATUERCA
11	PMF-000016	DADO TENSILOCK	M8	SECURING NUT TENSILOCK	ECROU TENSILOCK	SICHERUNGSMUTTER TENSILOCK	CONTRATUERCA TENSILOCK
12	PMF-000134	VITE TE	M10X20	HEXAGONAL SCREW	VIS SIX PANS	SECHSKANTSCHRAUBE	TORNILLO
13	PMF-000075	RONDELLA		WASHER	RONDELLE	SCHEIBE	ARANDELLA
14	PMF-000017	VITE TBQS	M8X20	COACH SCREW	VIS A TETE BOMBEE	FLACHRUNDSCHRAUBE	TORNILLO



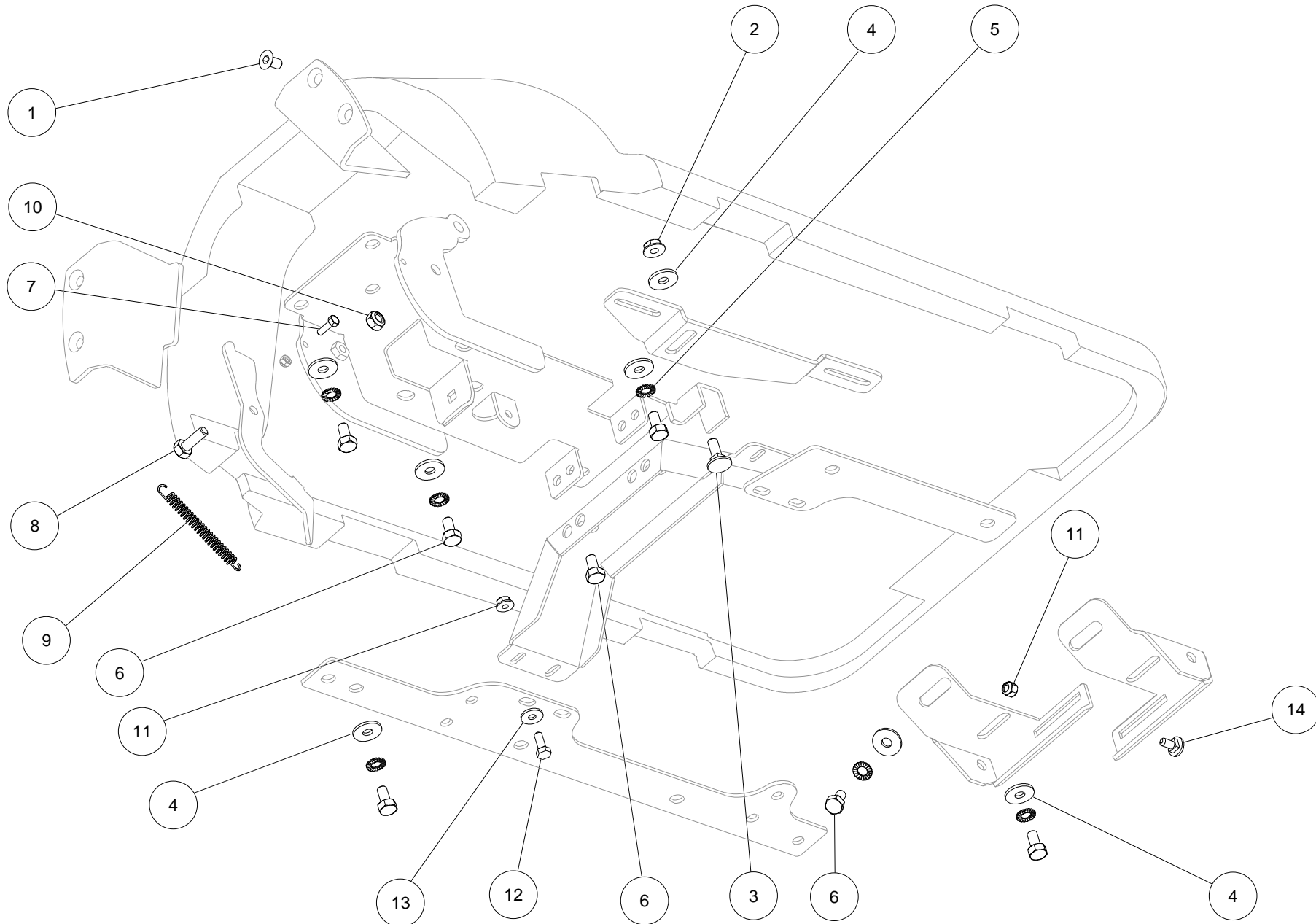
Pos	Code	Descrizione	Note	Description	Description	Beschreibung	Descripcìon
1	01.0965.01	PIASTRA DESTRA BATTUTA PUNTA		RIGHT PLATE	PLAQUE DROITE	PLATTE RECHTS	PLACA DERECHA
2	03.4105.00-R	COFANO CENTRALE	750	CENTRAL BONNET	TOLE DE DIVISEUR CENTRAL	VERKLEIDUNG MITTE	TAPA CENTRAL
2	03.4106.00-R	COFANO CENTRALE	700	CENTRAL BONNET	TOLE DE DIVISEUR CENTRAL	VERKLEIDUNG MITTE	TAPA CENTRAL
2	03.4107.00-R	COFANO CENTRALE	800	CENTRAL BONNET	TOLE DE DIVISEUR CENTRAL	VERKLEIDUNG MITTE	TAPA CENTRAL
3	01.0958.00	CERNIERA		HINGE	CHARNIERE	SCHARNIER	BISAGRA
4	01.0964.01	PIASTRA DESTRA		RIGHT PLATE	PLAQUE DROITE	PLATTE RECHTS	PLACA DERECHA
5	01.0761.00	SUPPORTO DESTRO		RIGHT SUPPORT	SUPPORT DROITE	BUGELHALTER RECHTS	SOPORTE DERECHO
8	01.0966.01	PIASTRA SINISTRA BATTUTAPUNTA		LEFT PLATE	PLAQUE GAUCHE	PLATTE LINKS	PLACA IZQUIERDA
9	01.0975.00	STAFFA SINISTRA		LEFT BRACKET	SUPPORT GAUCHE	BUEGEL LINKS	SOPORTE IZQUIERDO
10	01.0969.00	PIASTRA SINISTRA		LEFT PLATE	PLAQUE GAUCHE	PLATTE LINKS	PLACA IZQUIERDA
11	01.0947.00	CERNIERA SINISTRA	800	LEFT HINGE	CHARNIERE GAUCHE	SCHARNIER LINKS	BISAGRA IZQUIERDA
11	01.0960.00	CERNIERA SINISTRA	700/750	LEFT HINGE	CHARNIERE GAUCHE	SCHARNIER LINKS	BISAGRA IZQUIERDA
12	01.0948.00	CERNIERA DESTRA	800	RIGHT HINGE	CHARNIERE DROITE	SCHARNIER RECHTS	BISEGRA DERECHA
12	01.0959.00	CERNIERA DESTRA	700/750	RIGHT HINGE	CHARNIERE DROITE	SCHARNIER RECHTS	BISEGRA DERECHA
13	01.2861.00-R	COFANO COMPLETO CENTRALE-SINISTRO	750	CENTRAL-LEFT BONNET COMPLETE	TOLE DE DIVISEUR CENTRAL-GAUCHE COMPLETE	VERKLEIDUNG MITTE-LINK KOMPLET	TAPA CENTRAL-IZQUIERDA COMPLET
13	01.2863.00-R	COFANO COMPLETO CENTRALE-SINISTRO	700	CENTRAL-LEFT BONNET COMPLETE	TOLE DE DIVISEUR CENTRAL-GAUCHE COMPLETE	VERKLEIDUNG MITTE-LINK KOMPLET	TAPA CENTRAL-IZQUIERDA COMPLET
13	01.2865.00-R	COFANO COMPLETO CENTRALE-SINISTRO	800	CENTRAL-LEFT BONNET COMPLETE	TOLE DE DIVISEUR CENTRAL-GAUCHE COMPLETE	VERKLEIDUNG MITTE-LINK KOMPLET	TAPA CENTRAL-IZQUIERDA COMPLET



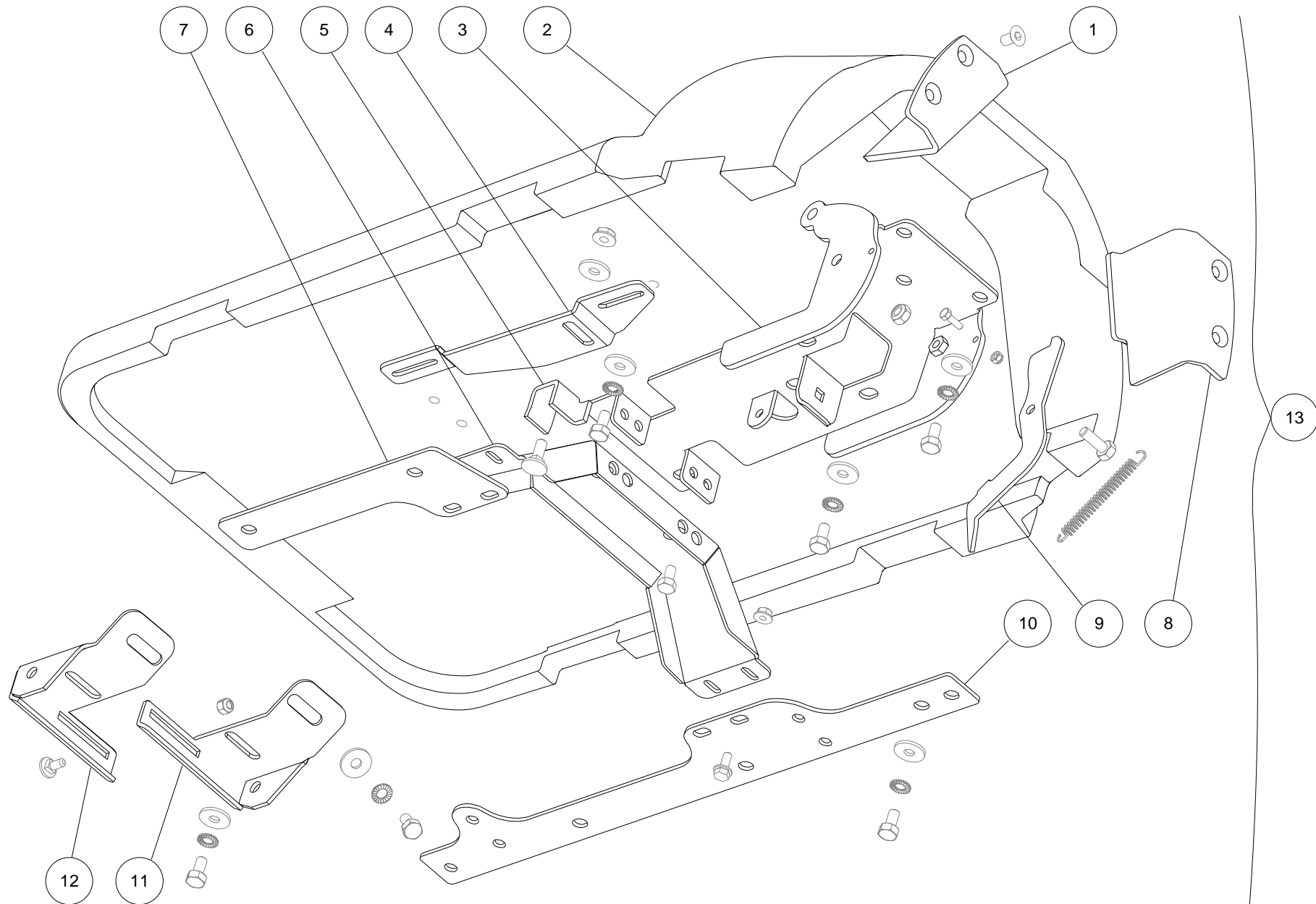
Pos	Code	Descrizione	Note	Description	Description	Beschreibung	Descripcìon
1	PMF-000135	VITE TSEI	M10X20	COUNTERSUNK SCREW	VIS A TETE FRAISEE	SENKSCHRAUBE	TORNILLO
2	PMF-000012	DADO TENSILOCK	M10	SECURING NUT TENSILOCK	ECROU TENSILOCK	SICHERUNGSMUTTER TENSILOCK	CONTRATUERCA TENSILOCK
3	PMF-000029	VITE TBQS	M10X25	COACH SCREW	VIS A TETE BOMBEE	FLACHRUNDSCHRAUBE	TORNILLO
4	PMF-000075	RONDELLA	10X30X2.5	WASHER	RONDELLE	SCHEIBE	ARANDELLA
5	PMF-000391	RONDELLA	10X18	WASHER	RONDELLE	SCHEIBE	ARANDELLA
6	PMF-000134	VITE TE	M10X20	HEXAGONAL SCREW	VIS SIX PANS	SECHSKANTSCHRAUBE	TORNILLO
7	PMF-000381	VITE TE	M6X30	HEXAGONAL SCREW	VIS SIX PANS	SECHSKANTSCHRAUBE	TORNILLO
8	PMF-000602	VITE TE	M10X30	HEXAGONAL SCREW	VIS SIX PANS	SECHSKANTSCHRAUBE	TORNILLO
9	M1-30336	MOLLA		COMPRESS SPRING	RESSORT	DRUCKFEDER	MUELLE
10	PMF-000068	DADO AUTOBLOCCANTE	M10	SECURING NUT	ECROU INDESSERRAB	SICHERUNGSMUTTER	CONTRATUERCA
11	PMF-000016	DADO TENSILOCK	M8	SECURING NUT TENSILOCK	ECROU TENSILOCK	SICHERUNGSMUTTER TENSILOCK	CONTRATUERCA TENSILOCK
12	PMF-000134	VITE TE	M10X20	HEXAGONAL SCREW	VIS SIX PANS	SECHSKANTSCHRAUBE	TORNILLO
13	PMF-000075	RONDELLA		WASHER	RONDELLE	SCHEIBE	ARANDELLA
14	PMF-000017	VITE TBQS	M8X20	COACH SCREW	VIS A TETE BOMBEE	FLACHRUNDSCHRAUBE	TORNILLO



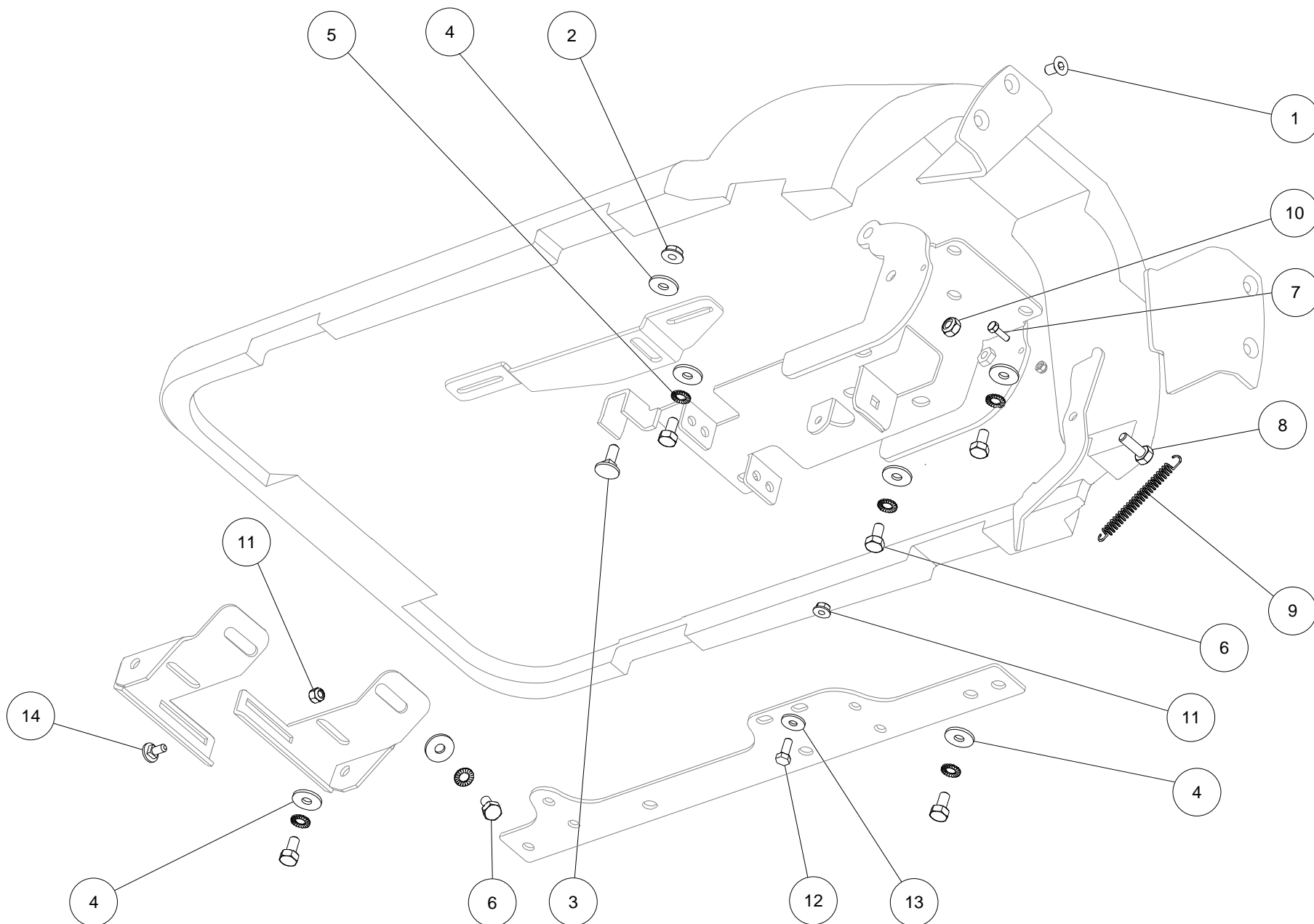
Pos	Code	Descrizione	Note	Description	Description	Beschreibung	Descripcìon
1	01.0966.01	PIASTRA SINISTRA BATTUTAPUNTA		LEFT PLATE	PLAQUE GAUCHE	PLATTE LINKS	PLACA IZQUIERDA
2	03.4105.00-R	COFANO CENTRALE	750	CENTRAL BONNET	TOLE DE DIVISEUR CENTRAL	VERKLEIDUNG MITTE	TAPA CENTRAL
2	03.4106.00-R	COFANO CENTRALE	700	CENTRAL BONNET	TOLE DE DIVISEUR CENTRAL	VERKLEIDUNG MITTE	TAPA CENTRAL
2	03.4107.00-R	COFANO CENTRALE	800	CENTRAL BONNET	TOLE DE DIVISEUR CENTRAL	VERKLEIDUNG MITTE	TAPA CENTRAL
3	01.0958.00	CERNIERA		HINGE	CHARNIERE	SCHARNIER	BISAGRA
4	01.0963.01	PIASTRA SINISTRA		LEFT PLATE	PLAQUE GAUCHE	PLATTE LINKS	PLACA IZQUIERDA
5	01.0762.00	SUPPORTO SINISTRO		LEFT SUPPORT	SUPPORT GAUCHE	BUGELHALTER LINKS	SOPORTE IZQUIERDO
6	01.0972.00	PIASTRA		PLATE	PLAQUE	PLATTE	PLACA
7	01.0971.00	PIASTRA		PLATE	PLAQUE	PLATTE	PLACA
8	01.0965.01	PIASTRA DESTRA BATTUTA PUNTA		RIGHT PLATE	PLAQUE DROITE	PLATTE RECHTS	PLACA DERECHA
9	01.0976.00	STAFFA DESTRA		RIGHT BRACKET	SUPPORT DROITE	BUEGEL RECHTS	SOPORTE DERECHO
10	01.0970.00	PIASTRA DESTRA		RIGHT PLATE	PLAQUE DROITE	PLATTE RECHTS	PLACA DERECHA
11	01.0948.00	CERNIERA DESTRA	800	RIGHT HINGE	CHARNIERE DROITE	SCHARNIER RECHTS	BISEGRA DERECHA
11	01.0959.00	CERNIERA DESTRA	700/750	RIGHT HINGE	CHARNIERE DROITE	SCHARNIER RECHTS	BISEGRA DERECHA
12	01.0947.00	CERNIERA SINISTRA	800	LEFT HINGE	CHARNIERE GAUCHE	SCHARNIER LINKS	BISAGRA IZQUIERDA
12	01.0960.00	CERNIERA SINISTRA	700/750	LEFT HINGE	CHARNIERE GAUCHE	SCHARNIER LINKS	BISAGRA IZQUIERDA
13	01.2775.00-R	COFANO COMPLETO CENTRALE-DESTRO	750	CENTRAL-RIGHT BONNET COMPLETE	TOLE DE DIVISEUR CENTRAL-DROITE COMPLETE	VERKLEIDUNG MITTE-RECHT KOMPLETT	TAPA CENTRAL-DERECHA COMPLETA
13	01.2856.00-R	COFANO COMPLETO CENTRALE-DESTRO	700	CENTRAL-RIGHT BONNET COMPLETE	TOLE DE DIVISEUR CENTRAL-DROITE COMPLETE	VERKLEIDUNG MITTE-RECHT KOMPLETT	TAPA CENTRAL-DERECHA COMPLETA
13	01.2858.00-R	COFANO COMPLETO CENTRALE-DESTRO	800	CENTRAL-RIGHT BONNET COMPLETE	TOLE DE DIVISEUR CENTRAL-DROITE COMPLETE	VERKLEIDUNG MITTE-RECHT KOMPLETT	TAPA CENTRAL-DERECHA COMPLETA



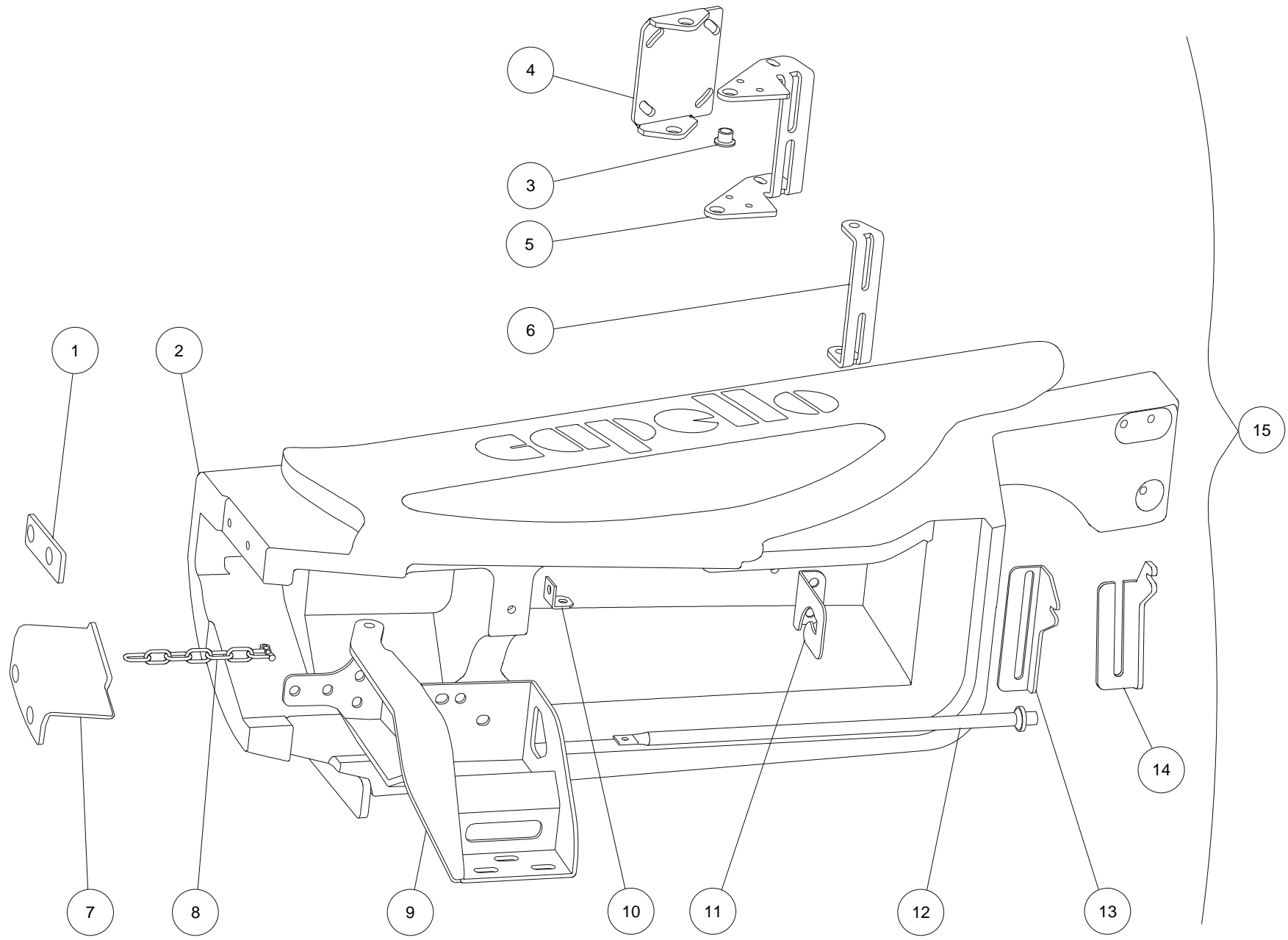
Pos	Code	Descrizione	Note	Description	Description	Beschreibung	Descripcìon
1	PMF-000135	VITE TSEI	M10X20	COUNTERSUNK SCREW	VIS A TETE FRAISEE	SENKSCRAUBE	TORNILLO
2	PMF-000012	DADO TENSILOCK	M10	SECURING NUT TENSILOCK	ECROU TENSILOCK	SICHERUNGSMUTTER TENSILOCK	CONTRATUERCA TENSILOCK
3	PMF-000029	VITE TBQS	M10X25	COACH SCREW	VIS A TETE BOMBEE	FLACHRUNDSCHRAUBE	TORNILLO
4	PMF-000075	RONDELLA	10X30X2.5	WASHER	RONDELLE	SCHEIBE	ARANDELLA
5	PMF-000391	RONDELLA	10X18	WASHER	RONDELLE	SCHEIBE	ARANDELLA
6	PMF-000134	VITE TE	M10X20	HEXAGONAL SCREW	VIS SIX PANS	SECHSKANTSCHRAUBE	TORNILLO
7	PMF-000381	VITE TE	M6X30	HEXAGONAL SCREW	VIS SIX PANS	SECHSKANTSCHRAUBE	TORNILLO
8	PMF-000602	VITE TE	M10X30	HEXAGONAL SCREW	VIS SIX PANS	SECHSKANTSCHRAUBE	TORNILLO
9	M1-30336	MOLLA		COMPRESS SPRING	RESSORT	DRUCKFEDER	MUELLE
10	PMF-000068	DADO AUTOBLOCCANTE	M10	SECURING NUT	ECROU INDESSERRAB	SICHERUNGSMUTTER	CONTRATUERCA
11	PMF-000016	DADO TENSILOCK	M8	SECURING NUT TENSILOCK	ECROU TENSILOCK	SICHERUNGSMUTTER TENSILOCK	CONTRATUERCA TENSILOCK
12	PMF-000134	VITE TE	M10X20	HEXAGONAL SCREW	VIS SIX PANS	SECHSKANTSCHRAUBE	TORNILLO
13	PMF-000075	RONDELLA		WASHER	RONDELLE	SCHEIBE	ARANDELLA
14	PMF-000017	VITE TBQS	M8X20	COACH SCREW	VIS A TETE BOMBEE	FLACHRUNDSCHRAUBE	TORNILLO



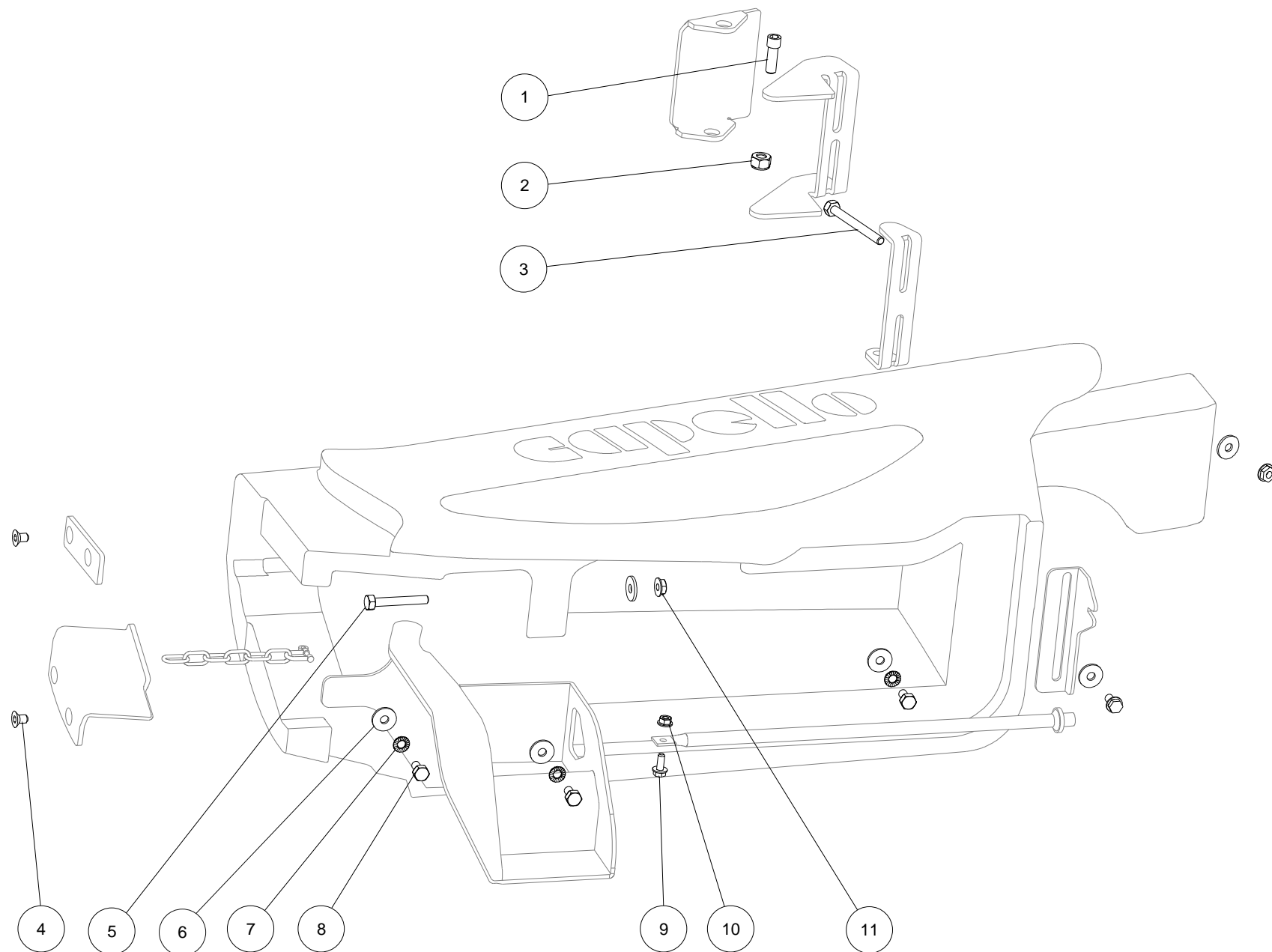
Pos	Code	Descrizione	Note	Description	Description	Beschreibung	Descripcìon
1	01.0965.01	PIASTRA DESTRA BATTUTA PUNTA		RIGHT PLATE	PLAQUE DROITE	PLATTE RECHTS	PLACA DERECHA
2	03.4105.00-R	COFANO CENTRALE	700	CENTRAL BONNET	TOLE DE DIVISEUR CENTRAL	VERKLEIDUNG MITTE	TAPA CENTRAL
2	03.4106.00-R	COFANO CENTRALE	700	CENTRAL BONNET	TOLE DE DIVISEUR CENTRAL	VERKLEIDUNG MITTE	TAPA CENTRAL
2	03.4107.00-R	COFANO CENTRALE	800	CENTRAL BONNET	TOLE DE DIVISEUR CENTRAL	VERKLEIDUNG MITTE	TAPA CENTRAL
3	01.0958.00	CERNIERA		HINGE	CHARNIERE	SCHARNIER	BISAGRA
4	01.0964.01	PIASTRA DESTRA		RIGHT PLATE	PLAQUE DROITE	PLATTE RECHTS	PLACA DERECHA
5	01.0761.00	SUPPORTO DESTRO		RIGHT SUPPORT	SUPPORT DROITE	BUGELHALTER RECHTS	SOPORTE DERECHO
6	01.0972.00	PIASTRA		PLATE	PLAQUE	PLATTE	PLACA
7	01.0971.00	PIASTRA		PLATE	PLAQUE	PLATTE	PLACA
8	01.0966.01	PIASTRA SINISTRA BATTUTAPUNTA		LEFT PLATE	PLAQUE GAUCHE	PLATTE LINKS	PLACA IZQUIERDA
9	01.0975.00	STAFFA SINISTRA		LEFT BRACKET	SUPPORT GAUCHE	BUEGEL LINKS	SOPORTE IZQUIERDO
10	01.0969.00	PIASTRA SINISTRA		LEFT PLATE	PLAQUE GAUCHE	PLATTE LINKS	PLACA IZQUIERDA
11	01.0947.00	CERNIERA SINISTRA	800	LEFT HINGE	CHARNIERE GAUCHE	SCHARNIER LINKS	BISAGRA IZQUIERDA
11	01.0960.00	CERNIERA SINISTRA	700/750	LEFT HINGE	CHARNIERE GAUCHE	SCHARNIER LINKS	BISAGRA IZQUIERDA
12	01.0948.00	CERNIERA DESTRA	800	RIGHT HINGE	CHARNIERE DROITE	SCHARNIER RECHTS	BISEGRA DERECHA
12	01.0959.00	CERNIERA DESTRA	700/750	RIGHT HINGE	CHARNIERE DROITE	SCHARNIER RECHTS	BISEGRA DERECHA
13	01.2776.00-R	COFANO COMPLETO CENTRALE-SINISTRO	750	CENTRAL-LEFT BONNET COMPLETE	TOLE DE DIVISEUR CENTRAL-GAUCHE COMPLETE	VERKLEIDUNG MITTE-LINK KOMPLET	TAPA CENTRAL-IZQUIERDA COMPLET
13	01.2857.00-R	COFANO COMPLETO CENTRALE-SINISTRO	700	CENTRAL-LEFT BONNET COMPLETE	TOLE DE DIVISEUR CENTRAL-GAUCHE COMPLETE	VERKLEIDUNG MITTE-LINK KOMPLET	TAPA CENTRAL-IZQUIERDA COMPLET
13	01.2859.00-R	COFANO COMPLETO CENTRALE-SINISTRO	800	CENTRAL-LEFT BONNET COMPLETE	TOLE DE DIVISEUR CENTRAL-GAUCHE COMPLETE	VERKLEIDUNG MITTE-LINK KOMPLET	TAPA CENTRAL-IZQUIERDA COMPLET



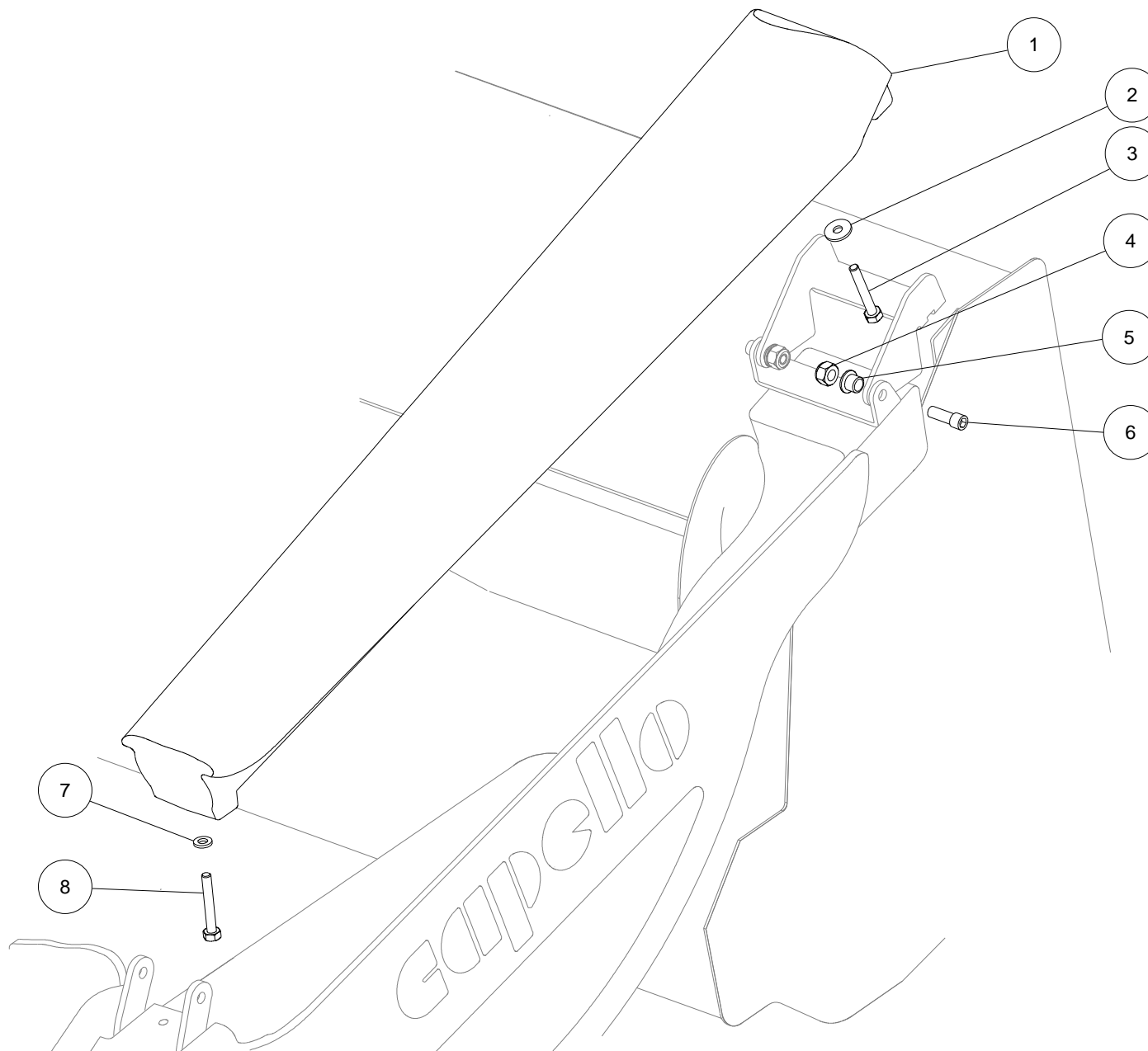
Pos	Code	Descrizione	Note	Description	Description	Beschreibung	Descripcìon
1	PMF-000135	VITE TSEI	M10X20	COUNTERSUNK SCREW	VIS A TETE FRAISEE	SENKSCRAUBE	TORNILLO
2	PMF-000012	DADO TENSILOCK	M10	SECURING NUT TENSILOCK	ECROU TENSILOCK	SICHERUNGSMUTTER TENSILOCK	CONTRATUERCA TENSILOCK
3	PMF-000029	VITE TBQS	M10X25	COACH SCREW	VIS A TETE BOMBEE	FLACHRUNDSCHRAUBE	TORNILLO
4	PMF-000075	RONDELLA	10X30X2.5	WASHER	RONDELLE	SCHEIBE	ARANDELLA
5	PMF-000391	RONDELLA	10X18	WASHER	RONDELLE	SCHEIBE	ARANDELLA
6	PMF-000134	VITE TE	M10X20	HEXAGONAL SCREW	VIS SIX PANS	SECHSKANTSCHRAUBE	TORNILLO
7	PMF-000381	VITE TE	M6X30	HEXAGONAL SCREW	VIS SIX PANS	SECHSKANTSCHRAUBE	TORNILLO
8	PMF-000602	VITE TE	M10X30	HEXAGONAL SCREW	VIS SIX PANS	SECHSKANTSCHRAUBE	TORNILLO
9	M1-30336	MOLLA		COMPRESS SPRING	RESSORT	DRUCKFEDER	MUELLE
10	PMF-000068	DADO AUTOBLOCCANTE	M10	SECURING NUT	ECROU INDESSERRAB	SICHERUNGSMUTTER	CONTRATUERCA
11	PMF-000016	DADO TENSILOCK	M8	SECURING NUT TENSILOCK	ECROU TENSILOCK	SICHERUNGSMUTTER TENSILOCK	CONTRATUERCA TENSILOCK
12	PMF-000134	VITE TE	M10X20	HEXAGONAL SCREW	VIS SIX PANS	SECHSKANTSCHRAUBE	TORNILLO
13	PMF-000075	RONDELLA		WASHER	RONDELLE	SCHEIBE	ARANDELLA
14	PMF-000017	VITE TBQS	M8X20	COACH SCREW	VIS A TETE BOMBEE	FLACHRUNDSCHRAUBE	TORNILLO



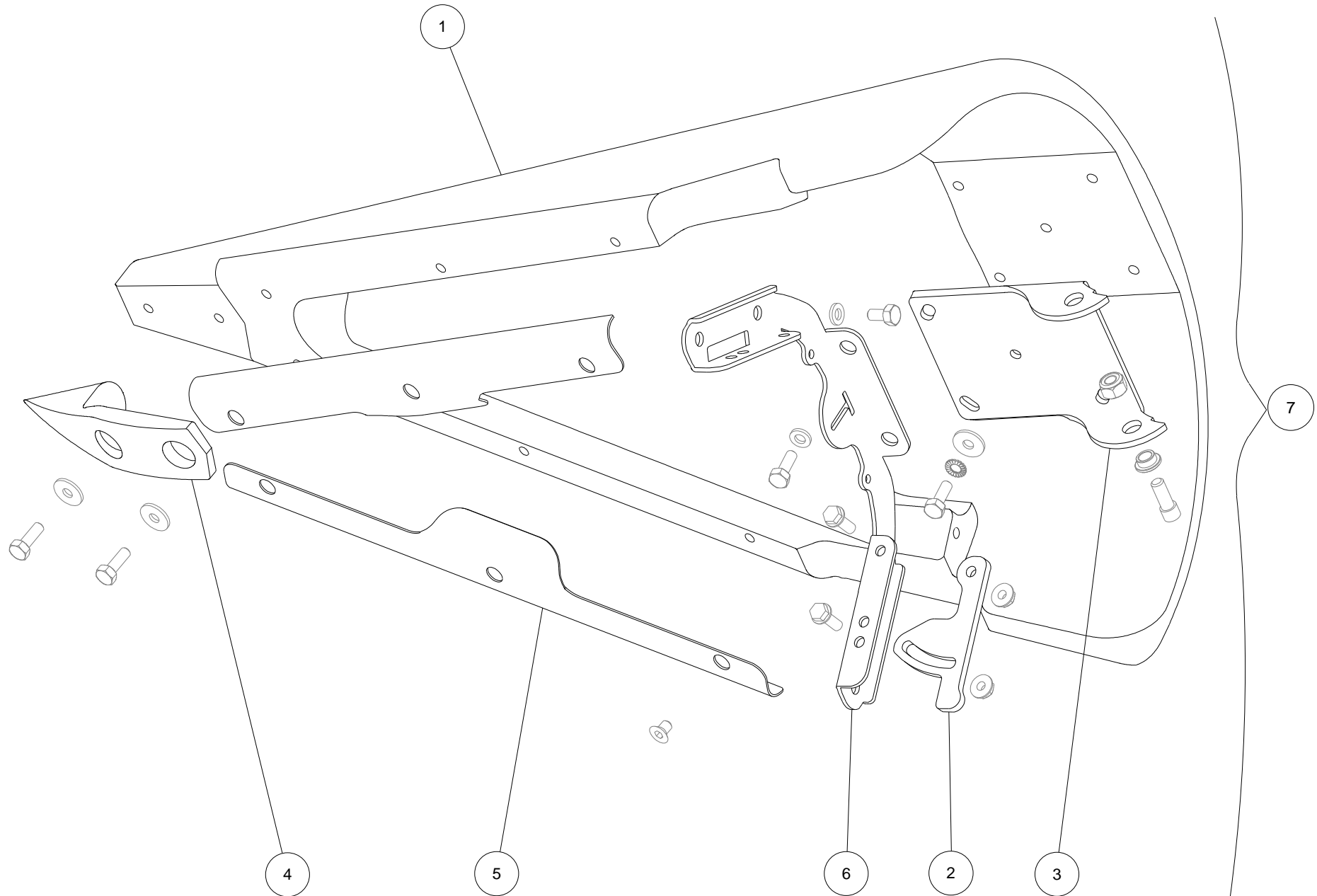
Pos	Code	Descrizione	Note	Description	Description	Beschreibung	Descripcìon
1	01.0962.01	PIASTRA BATTUTA PUNTA		PLATE	PLAQUE	PLATTE	PLACA
2	03.4118.00-V	COFANO LATERALE DESTRO		RIGHT LATERAL BONNET	RAVETEMENT DROITE	VERKLEIDUNG RECHTS	TAPA DERECHA
2	03.4119.00-V	COFANO LATERALE SINISTRO		LEFT LATERAL BONNET	RAVETEMENT GAUCHE	VERKLEIDUNG LINKS	TAPA IZQUIERDA
3	01.1095.00	BOCCOLA		BUSHING	DOUILLE	BÜCHSE	HEVILLA
4	01.1013.01	CERNIERA		HINGE	CHARNIERE	SCHARNIER	BISAGRA
5	01.1010.01	CERNIERA		HINGE	CHARNIERE	SCHARNIER	BISAGRA
6	01.1011.01	CERNIERA		HINGE	CHARNIERE	SCHARNIER	BISAGRA
7	01.0965.01	PIASTRA DESTRA BATTUTA PUNTA		RIGHT PLATE	PLAQUE DROITE	PLATTE RECHTS	PLACA DERECHA
7	01.0966.01	PIASTRA SINISTRA BATTUTAPUNTA		LEFT PLATE	PLAQUE GAUCHE	PLATTE LINKS	PLACA IZQUIERDA
8	01.1176.00	CATENA		CHAIN	CHAINE	KETTE	CADENA
9	01.0979.00	SUPPORTO DESTRO		RIGHT SUPPORT	SUPPORT DROITE	BUGELHALTER RECHTS	SOPORTE DERECHO
9	01.0980.00	SUPPORTO SINISTRO		LEFT SUPPORT	SUPPORT GAUCHE	BUGELHALTER LINKS	SOPORTE IZQUIERDO
10	01.0758.00	STAFFA		BRACKET	SUPPORT	BUEGEL	SOPORTE
11	01.0861.02	SUPPORTO		SUPPORT	SUPPORT	ABSTUZUNG	SOPORTE
12	01.0460.00	ASTA COFANO		ROD	TIGE	SPINDEL	VARILLA
13	01.1015.00	FERMO SINISTRO		PAWL LEFT	CLIQUET GAUCHE	KLINKE LINKS	TOPE IZQUIERDO
13	01.1016.00	FERMO DESTRO		PAWL RIGHT	CLIQUET DROITE	KLINKE RECHTS	TOPE DERECHO
14	01.1017.00	FERMO DESTRO		PAWL RIGHT	CLIQUET DROITE	KLINKE RECHTS	TOPE DERECHO
14	01.1019.00	FERMO SINISTRO		PAWL LEFT	CLIQUET GAUCHE	KLINKE LINKS	TOPE IZQUIERDO
15	01.1169.01-R	COFANO LATERALE SINISTRO COMPLETO		LEFT LATERAL BONNET COMPLETE	RAVETEMENT GAUCHE COMPLETE	VERKLEIDUNG LINKS KOMPLETT	TAPA IZQUIERDA COMPLETA
15	01.1170.01-R	COFANO LATERALE DESTRO COMPLETO		RIGHT LATERAL BONNET COMPLETE	RAVETEMENT DROITE COMPLETE	VERKLEIDUNG RECHTS KOMPLETT	TAPA DERECHA COMPLETA



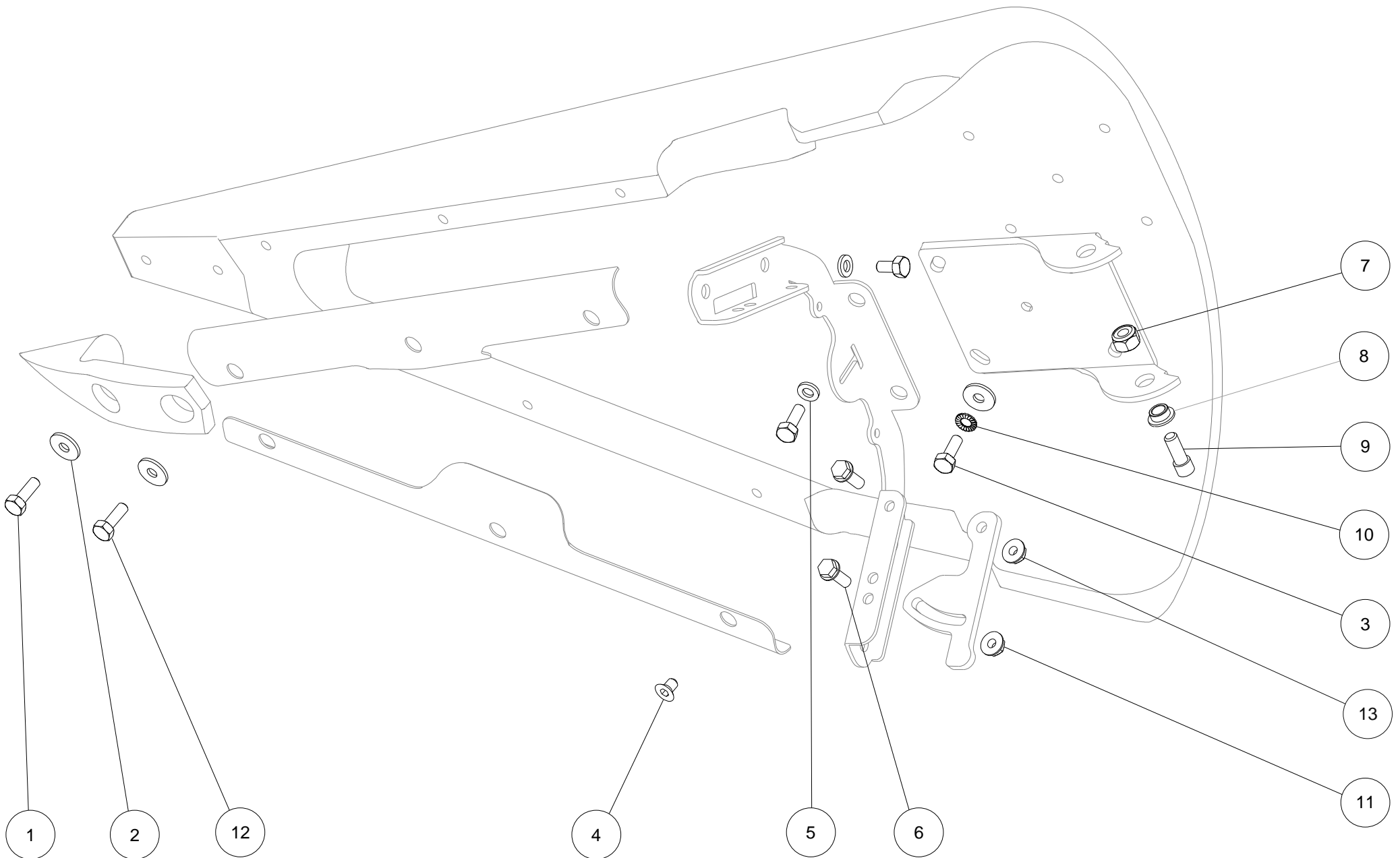
Pos	Code	Descrizione	Note	Description	Description	Beschreibung	Descripciòn
1	PMF-000184	VITE TCEI	M12X35	SOCKET HEAD SCREW	VIS CYLINDRIQUE	ZYLINDERSCHRAUBE	TORNILLO
2	PMF-000024	DADO AUTOBLOCCANTE	M12	SECURING NUT	ECROU INDESSERRAB	SICHERUNGSMUTTER	CONTRATUERCA
3	PMF-000404	VITE TE	M10X100	HEXAGONAL SCREW	VIS SIX PANS	SECHSKANTSCHRAUBE	TORNILLO
4	PMF-000135	VITE TSEI	M10X20	COUNTERSUNK SCREW	VIS A TETE FRAISEE	SENKSCHRAUBE	TORNILLO
5	PMF-000081	VITE TE	M10X70	HEXAGONAL SCREW	VIS SIX PANS	SECHSKANTSCHRAUBE	TORNILLO
6	PMF-000075	RONDELLA	10X30X2.5	WASHER	RONDELLE	SCHEIBE	ARANDELLA
7	PMF-000391	RONDELLA	10X18	WASHER	RONDELLE	SCHEIBE	ARANDELLA
8	PMF-000134	VITE TE	M10X20	HEXAGONAL SCREW	VIS SIX PANS	SECHSKANTSCHRAUBE	TORNILLO
9	PMF-000147	VITE TE	M8X20	HEXAGONAL SCREW	VIS SIX PANS	SECHSKANTSCHRAUBE	TORNILLO
10	PMF-000026	DADO AUTOBLOCCANTE	M8	SECURING NUT	ECROU INDESSERRAB	SICHERUNGSMUTTER	CONTRATUERCA
11	PMF-000012	DADO TENSILOCK	M10	SECURING NUT TENSILOCK	ECROU TENSILOCK	SICHERUNGSMUTTER TENSILOCK	CONTRATUERCA TENSILOCK



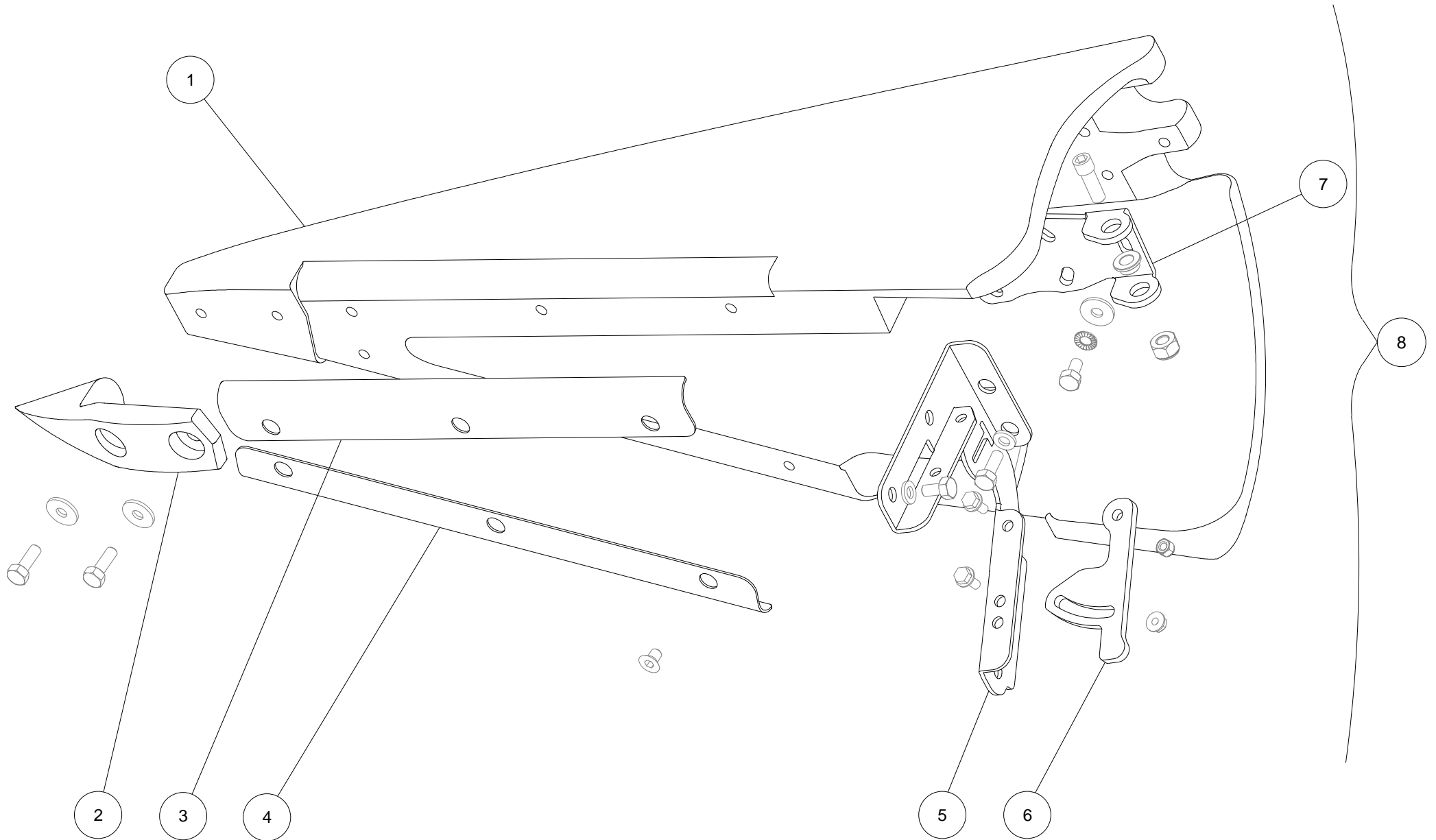
Pos	Code	Descrizione	Note	Description	Description	Beschreibung	Descripcìon
1	03.4122.00-R	COPERTURA LATERALE		COVER	COUVERTURE	DECKEL	COBERTURA
2	PMF-000075	RONDELLA	10X30X2.5	WASHER	RONDELLE	SCHEIBE	ARANDELLA
3	PMF-000404	VITE TE	M10X100	HEXAGONAL SCREW	VIS SIX PANS	SECHSKANTSCHRAUBE	TORNILLO
4	PMF-000024	DADO AUTOBLOCCANTE	M12	SECURING NUT	ECROU INDESSERRAB	SICHERUNGSMUTTER	CONTRATUERCA
5	01.1095.00	BOCCOLA		BUSHING	DOUILLE	BÜCHSE	HEVILLA
6	PMF-000078	VITE TCEI	M12X30	SOCKET HEAD SCREW	VIS CYLINDRIQUE	ZYLINDERSCHRAUBE	TORNILLO
7	PMF-000105	RONDELLA	10X20X2	WASHER	RONDELLE	SCHEIBE	ARANDELLA
8	02.1080.00	VITE TE	M10X65	HEXAGONAL SCREW	VIS SIX PANS	SECHSKANTSCHRAUBE	TORNILLO



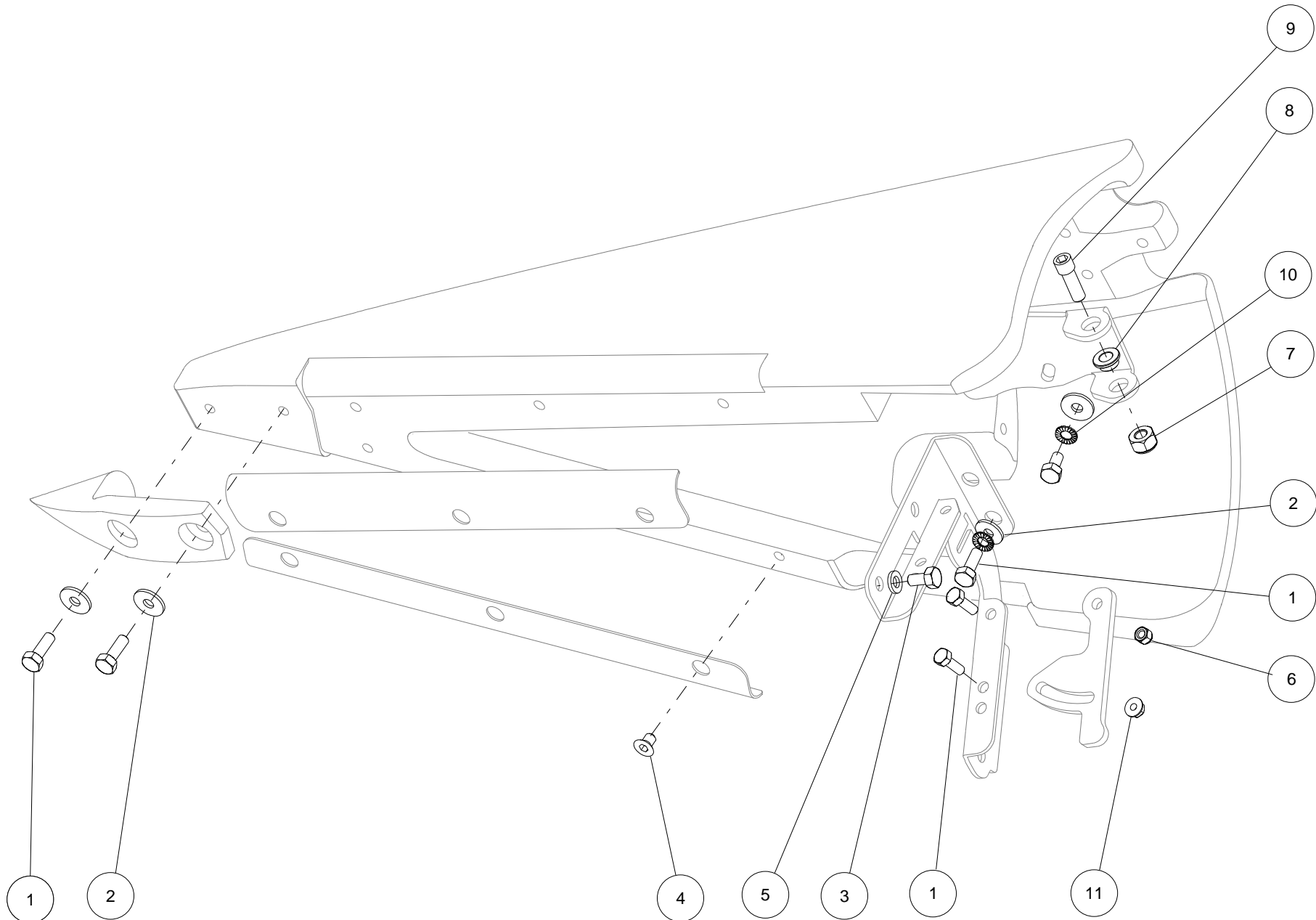
Pos	Code	Descrizione	Note	Description	Description	Beschreibung	Descripcìon
1	03.4111.00-R	PUNTA CENTRALE	750	MIDDLE DIVIDER	POINTE DE DIVISEUR CENTRALE	ABTEILERSPITZE MITTE	PUNTA CENTRALE
1	03.4112.00-R	PUNTA CENTRALE	800	MIDDLE DIVIDER	POINTE DE DIVISEUR CENTRALE	ABTEILERSPITZE MITTE	PUNTA CENTRALE
1	03.4113.00-R	PUNTA CENTRALE	700	MIDDLE DIVIDER	POINTE DE DIVISEUR CENTRALE	ABTEILERSPITZE MITTE	PUNTA CENTRALE
2	01.0996.01	REGISTRO PUNTA		ADJUSTING PLATE	PLAQUE DE REGLAGE	PLATTE	PLACA
3	01.0982.01	CERNIERA		HINGE	CHARNIERE	SCHARNIER	BISAGRA
4	M1-40100	ZOCCOLO		POINT	POINTE	SPITZE	BASE
5	01.0998.02	PIASTRA DI STRISCIAMENTO		PLATE	PLAQUE	PLATTE	PLACA
6	01.0984.02	CENTINA	750	PLATE	PLAQUE	PLATTE	PLACA
6	01.0985.02	CENTINA	800	PLATE	PLAQUE	PLATTE	PLACA
6	01.0986.02	CENTINA	700	PLATE	PLAQUE	PLATTE	PLACA
7	01.1166.00-R	PUNTA CENTRALE COMPLETA	750	CENTRAL DIVIDER COMPLETE	POINTE DE DIVISEUR INTERIEUR COMPLETE	ABTEILERSPITZE MITTE KOMPLETT	PUNTA CENTRALE COMPLETA
7	01.1167.00-R	PUNTA CENTRALE COMPLETA	700	MIDDLE DIVIDER COMPLETE	POINTE DE DIVISEUR CENTRALE COMPLETE	ABTEILERSPITZE MITTE	PUNTA CENTRALE COMPLETA
7	01.1168.00-R	PUNTA CENTRALE COMPLETA	800	MIDDLE DIVIDER COMPLETE	POINTE DE DIVISEUR CENTRALE COMPLETE	ABTEILERSPITZE MITTE	PUNTA CENTRALE COMPLETA



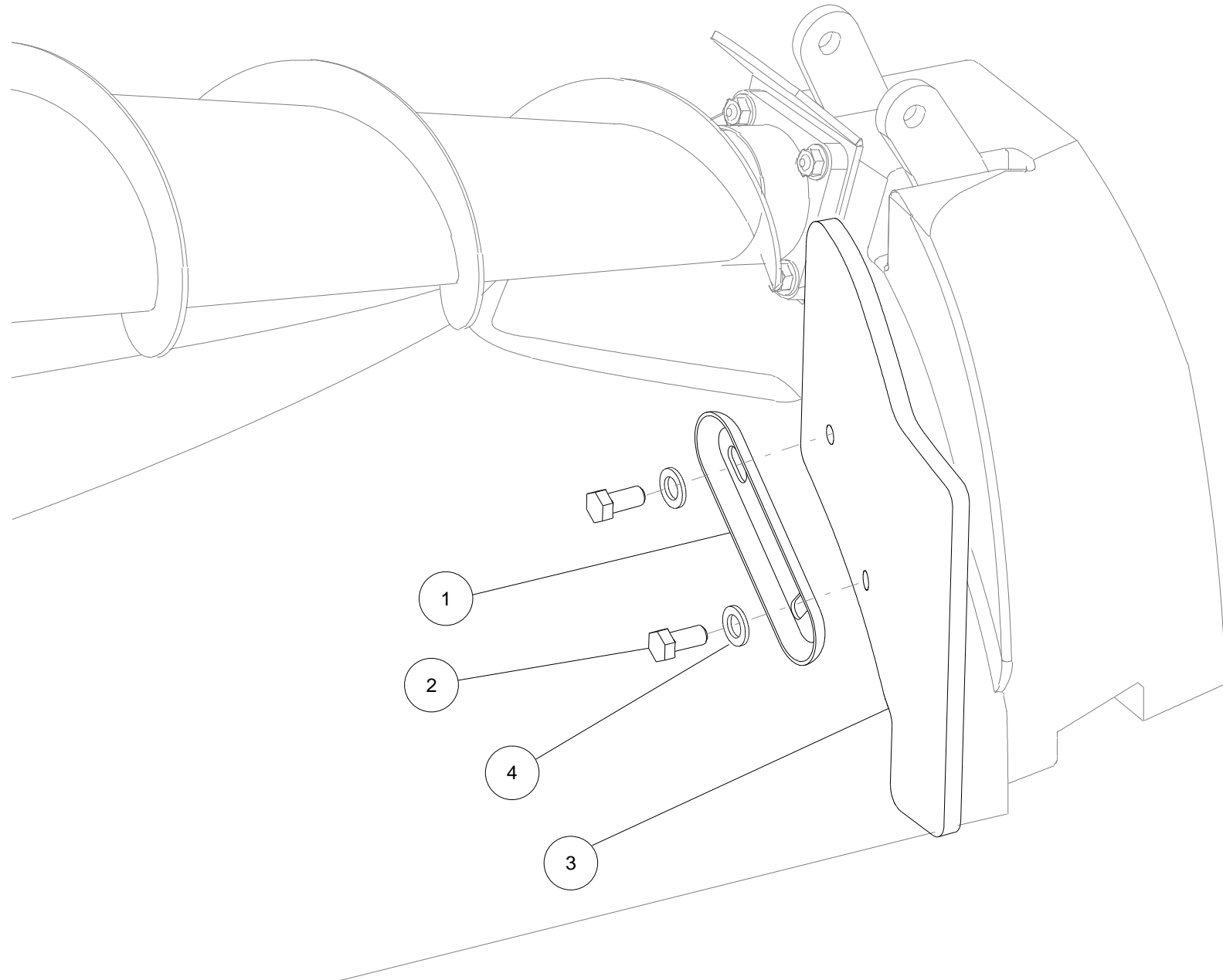
Pos	Code	Descrizione	Note	Description	Description	Beschreibung	Descripcìon
1	PMF-000132	VITE TE	M10X30	HEXAGONAL SCREW	VIS SIX PANS	SECHSKANTSCHRAUBE	TORNILLO
2	PMF-000075	RONDELLA	10X30X2.5	WASHER	RONDELLE	SCHEIBE	ARANDELLA
3	PMF-000132	VITE TE	M10X30	HEXAGONAL SCREW	VIS SIX PANS	SECHSKANTSCHRAUBE	TORNILLO
4	PMF-000135	VITE TSEI	M10X20	COUNTERSUNK SCREW	VIS A TETE FRAISEE	SENKSCHAUBE	TORNILLO
5	PMF-000105	RONDELLA	10.5X20X2	WASHER	RONDELLE	SCHEIBE	ARANDELLA
6	PMF-000068	DADO AUTOBLOCCANTE	M10	SECURING NUT	ECROU INDESSERRAB	SICHERUNGSMUTTER	CONTRATUERCA
7	PMF-000024	DADO AUTOBLOCCANTE	M12	SECURING NUT	ECROU INDESSERRAB	SICHERUNGSMUTTER	CONTRATUERCA
8	01.1196.00	BOCCOLA		BUSHING	DOUILLE	BÜCHSE	HEVILLA
9	PMF-000184	VITE TCEI	M12X35	SOCKET HEAD SCREW	VIS CYLINDRIQUE	ZYLINDERSCHRAUBE	TORNILLO
10	PMF-000391	RONDELLA	10X18	WASHER	RONDELLE	SCHEIBE	ARANDELLA
11	PMF-000012	DADO TENSILOCK	M10	SECURING NUT TENSILOCK	ECROU TENSILOCK	SICHERUNGSMUTTER TENSILOCK	CONTRATUERCA TENSILOCK
12	PMF-000134	VITE TE	M10X20	HEXAGONAL SCREW	VIS SIX PANS	SECHSKANTSCHRAUBE	TORNILLO
13	PMF-000068	DADO AUTOBLOCCANTE	M10	SECURING NUT	ECROU INDESSERRAB	SICHERUNGSMUTTER	CONTRATUERCA



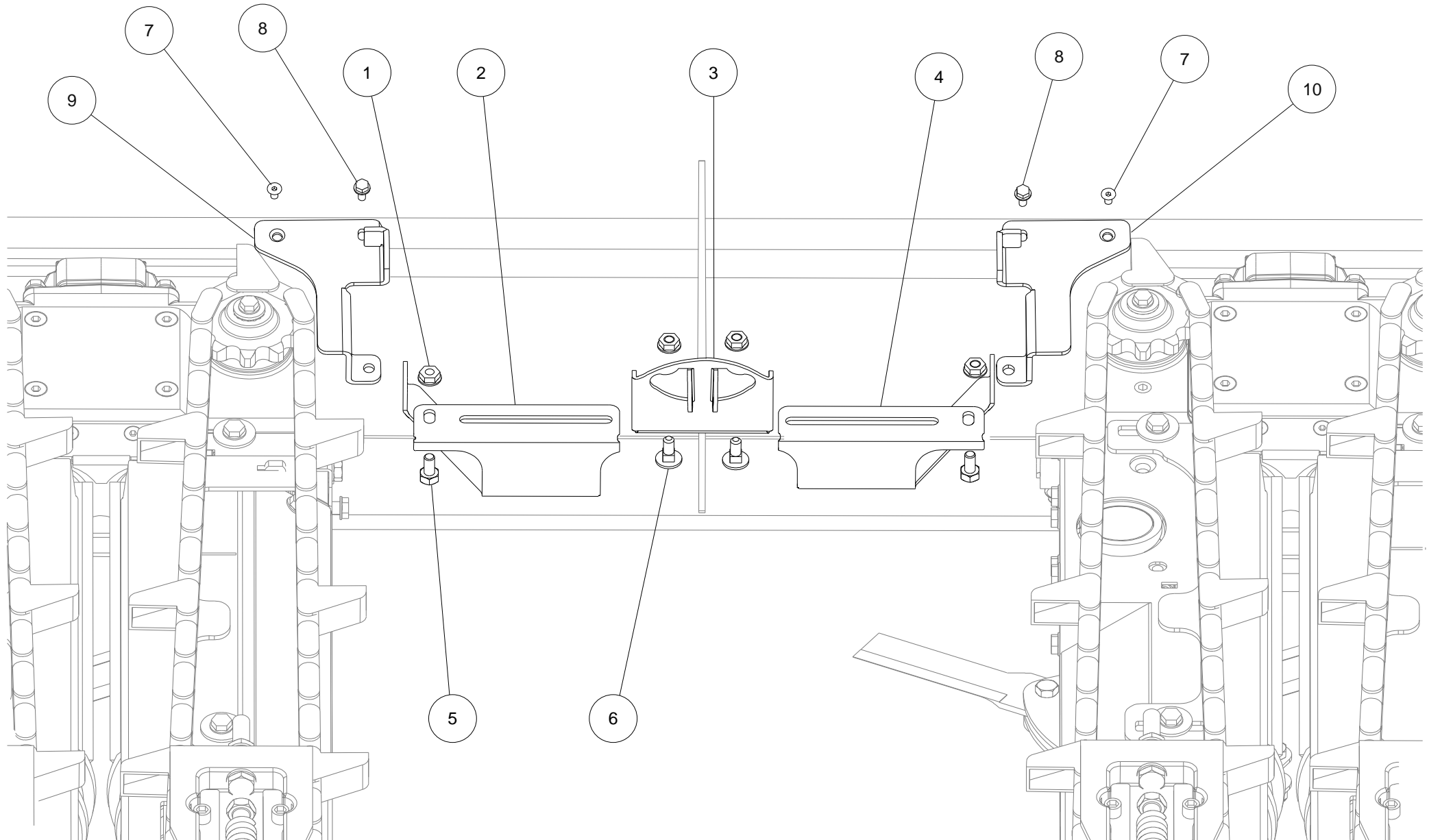
Pos	Code	Descrizione	Note	Description	Description	Beschreibung	Descripcìon
1	03.4116.00-R	PUNTA LATERALE DESTRA		RIGHT LATERAL DIVIDER	POINTE DIVISEUR DROITE	ABTEILERSPITZE RECHTS	PUNTA DE LOS DIVISORE DERECHA
1	03.4117.00-R	PUNTA LATERALE SINISTRA		LEFT LATERAL DIVIDER	POINTE DIVISEUR GAUCHE	ABTEILERSPITZE LINKS	PUNTA DE LOS DIVISORE IZQUIERDA
2	03.4114.01	ZOCCOLO		POINT	POINTE	SPITZE	BASE
3	01.0981.01	PIASTRA DI STRISCIAMENTO ESTERNA		PLATE	PLAQUE	PLATTE	PLACA
4	01.0987.01	PIASTRA DI STRISCIAMENTO CENTRALE		INNER PLATE	PLAQUE INTERIEUR	PLATTE	PLACA INTERIOR
5	01.0990.01	CENTINA SINISTRA		LEFT PLATE	PLAQUE GAUCHE	PLATTE LINKS	PLACA IZQUIERDA
5	01.0991.01	CENTINA DESTRA		RIGHT PLATE	PLAQUE DROITE	PLATTE RECHTS	PLACA DERECHA
6	01.0996.01	REGISTRO PUNTA		ADJUSTING PLATE	PLAQUE DE REGLAGE	PLATTE	PLACA
7	01.0983.01	CERNIERA SINISTRA		LEFT HINGE	CHARNIERE GAUCHE	SCHARNIER LINKS	BISAGRA IZQUIERDA
7	01.0988.01	CERNIERA DESTRA		RIGHT HINGE	CHARNIERE DROITE	SCHARNIER RECHTS	BISEGRA DERECHA
8	01.1171.01-R	PUNTA LATERALE SINISTRA COMPLET/		LEFT LATERAL DIVIDER COMPLETE	POINTE DIVISEUR GAUCHE COMPLETE	ABTEILERSPITZE LINKS KOMPLETT	PUNTA DE LOS DIVISORE LLENO IZQUIERDA
8	01.1172.01-R	PUNTA LATERALE DESTRA COMPLETA		RIGHT LATERAL DIVIDER COMPLETE	POINTE DIVISEUR DROITE COMPLET	ABTEILERSPITZE RECHTS KOMPLET	PUNTA DE LOS DIVISORE LLENO DERECHA



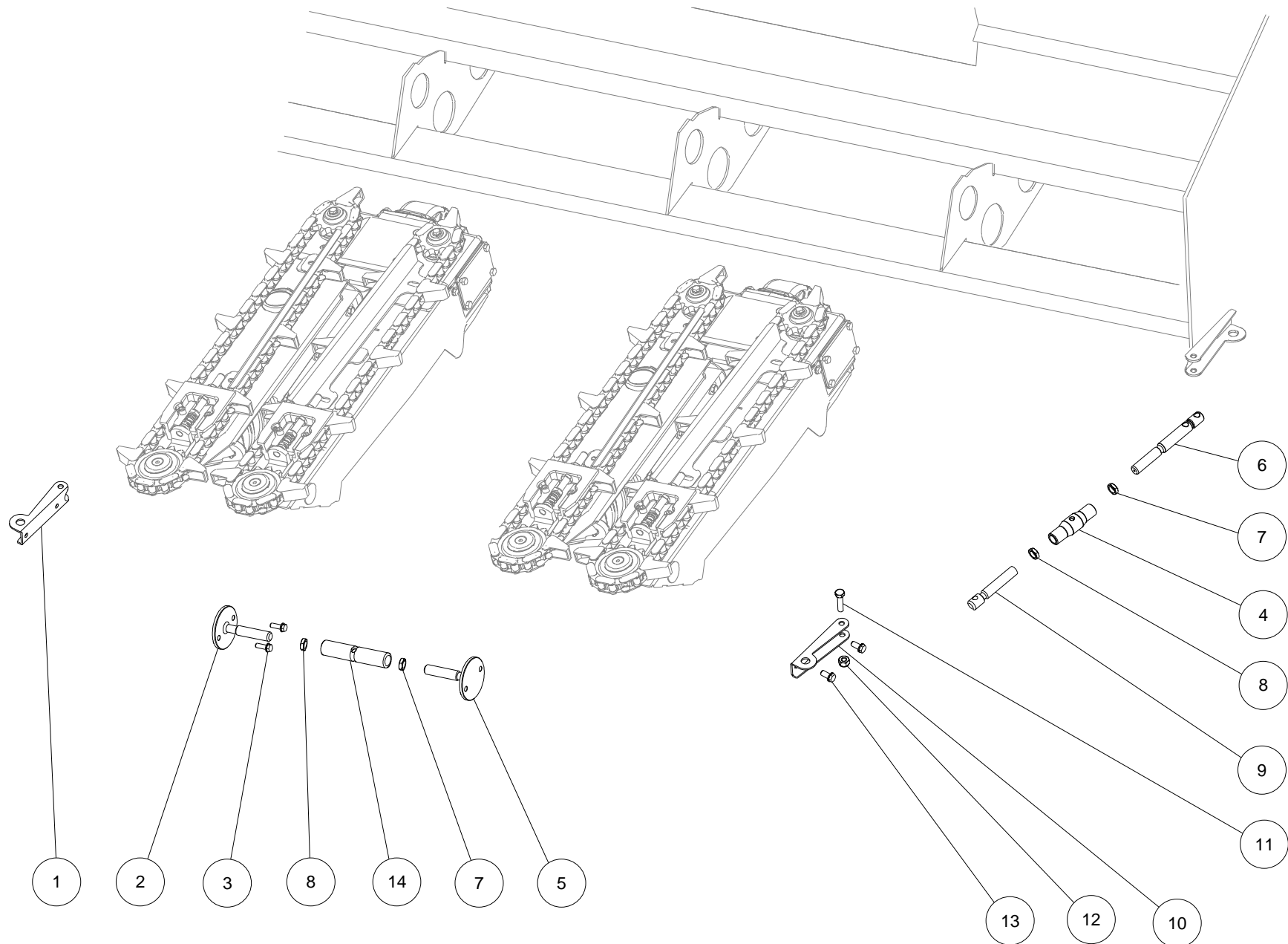
Pos	Code	Descrizione	Note	Description	Description	Beschreibung	Descripcìon
1	PMF-000132	VITE TE	M10X30	HEXAGONAL SCREW	VIS SIX PANS	SECHSKANTSCHRAUBE	TORNILLO
2	PMF-000075	RONDELLA	10X30X2.5	WASHER	RONDELLE	SCHEIBE	ARANDELLA
3	PMF-000134	VITE TE	M10X20	HEXAGONAL SCREW	VIS SIX PANS	SECHSKANTSCHRAUBE	TORNILLO
4	PMF-000515	VITE TSEI	M10X16	COUNTERSUNK SCREW	VIS A TETE FRAISEE	SENKSCHRAUBE	TORNILLO
5	PMF-000105	RONDELLA	10.5X20X2	WASHER	RONDELLE	SCHEIBE	ARANDELLA
6	PMF-000068	DADO AUTOBLOCCANTE	M10	SECURING NUT	ECROU INDESSERRAB	SICHERUNGSMUTTER	CONTRATUERCA
7	PMF-000024	DADO AUTOBLOCCANTE	M12	SECURING NUT	ECROU INDESSERRAB	SICHERUNGSMUTTER	CONTRATUERCA
8	01.1196.00	BOCCOLA		BUSHING	DOUILLE	BÜCHSE	HEVILLA
9	PMF-000184	VITE TCEI	M12X35	SOCKET HEAD SCREW	VIS CYLINDRIQUE	ZYLINDERSCHRAUBE	TORNILLO
10	PMF-000391	RONDELLA	10X18	WASHER	RONDELLE	SCHEIBE	ARANDELLA
11	PMF-000012	DADO TENSILOCK	M10	SECURING NUT TENSILOCK	ECROU TENSILOCK	SICHERUNGSMUTTER TENSILOCK	CONTRATUERCA TENSILOCK



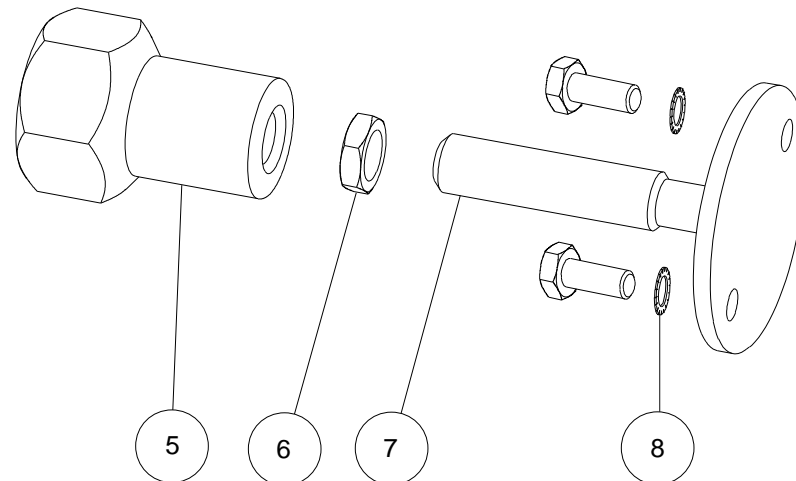
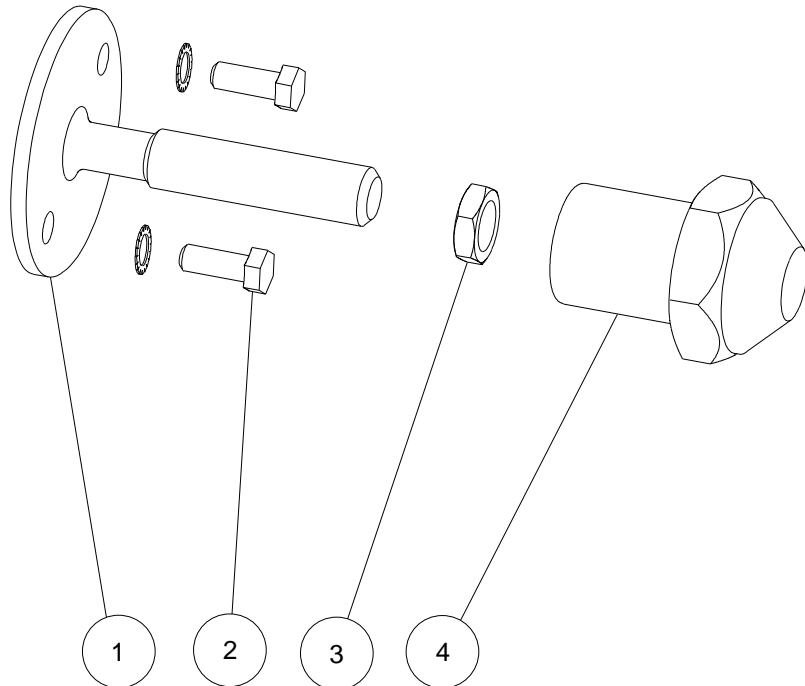
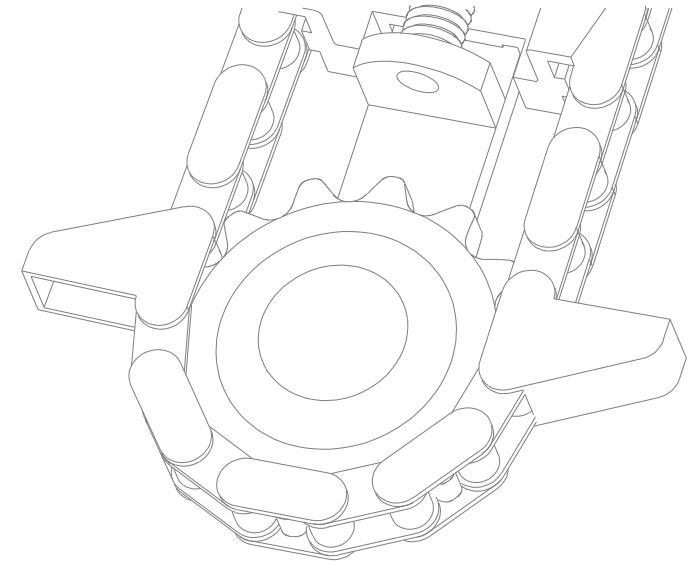
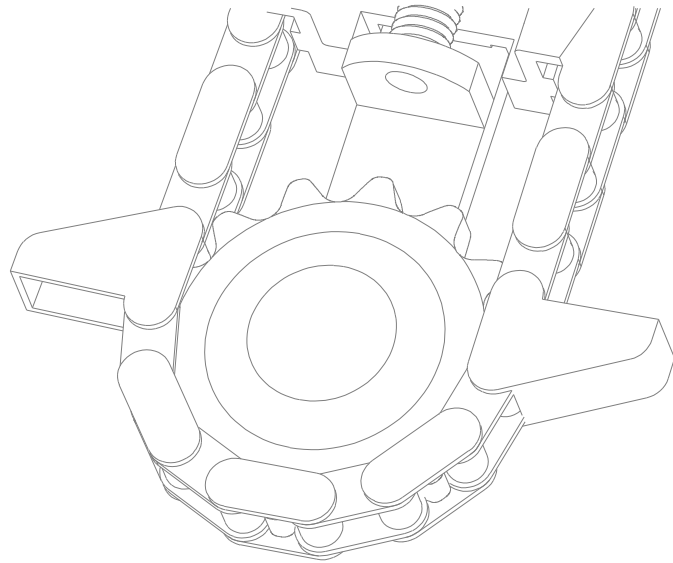
Pos	Code	Descrizione	Note	Description	Description	Beschreibung	Descripcìon
1	03.4102.00	PIASTRINA COFANO CENTRALE		PLATE FOR INNER HOOD	PLAQUE POUR CAPOT CENTRAL	PLATTE	PLACA PARA CAPO' INTERIOR
2	PMF-000134	VITE TE	M10X20	HEXAGONAL SCREW	VIS SIX PANS	SECHSKANTSCHRAUBE	TORNILLO
3	03.4103.00	GOMMA RIPARO PANNOCCHIE		RUBBER COVER	JOINT CAOUTCHOUC	GUMMIABDECKUNG	REPARO GOMA
4	PMF-000105	RONDELLA	10.5X20X2	WASHER	RONDELLE	SCHEIBE	ARANDELLA



Pos	Code	Descrizione	Note	Description	Description	Beschreibung	Descripcìon
1	PMF-000012	DADO TENSILOCK	M10	SECURING NUT TENSILOCK	ECROU TENSILOCK	SICHERUNGSMUTTER TENSILOCK	CONTRATUERCA TENSILOCK
2	01.1440.00	STAFFA DESTRA	750	RIGHT SUPPORT	SUPPORT DROITE	BUEGEL RECHTS	SOPORTE DERECHO
2	01.1441.00	STAFFA DESTRA	800	RIGHT SUPPORT	SUPPORT DROITE	BUEGEL RECHTS	SOPORTE DERECHO
2	01.1443.00	STAFFA DESTRA	700	RIGHT SUPPORT	SUPPORT DROITE	BUEGEL RECHTS	SOPORTE DERECHO
3	01.1450.00	CERNIERA		HINGE	CHARNIERE	SCHARNIER	BISAGRA
4	01.1442.00	STAFFA SINISTRA	800	LEFT BRACKET	SUPPORT GAUCHE	BUEGEL LINKS	SOPORTE IZQUIERDO
4	01.1444.00	STAFFA SINISTRA	700	LEFT BRACKET	SUPPORT GAUCHE	BUEGEL LINKS	SOPORTE IZQUIERDO
4	01.1445.00	STAFFA SINISTRA	750	LEFT BRACKET	SUPPORT GAUCHE	BUEGEL LINKS	SOPORTE IZQUIERDO
5	PMF-000134	VITE TE	M10X20	HEXAGONAL SCREW	VIS SIX PANS	SECHSKANTSCHRAUBE	TORNILLO
6	PMF-000029	VITE TBQS	M10X25	COACH SCREW	VIS A TETE BOMBEE	FLACHRUNDSCHRAUBE	TORNILLO
7	PMF-000169	VITE TSEI	M8X16	COUNTERSUNK SCREW	VIS A TETE FRAISEE	SENKSCHRAUBE	TORNILLO
8	PMF-000034	VITE TENSILOCK	M8X20	SECURING SCREW TENSILOCK	VIS TENSILOCK	SCHRAUBE TENSILOCK	TORNILLO TENSILOCK
9	01.1007.02	CERNIERA SINISTRA		LEFT HINGE	CHARNIERE GAUCHE	SCHARNIER LINKS	BISAGRA IZQUIERDA
10	01.1008.02	CERNIERA DESTRA		RIGHT HINGE	CHARNIERE DROITE	SCHARNIER RECHTS	BISEGRA DERECHA



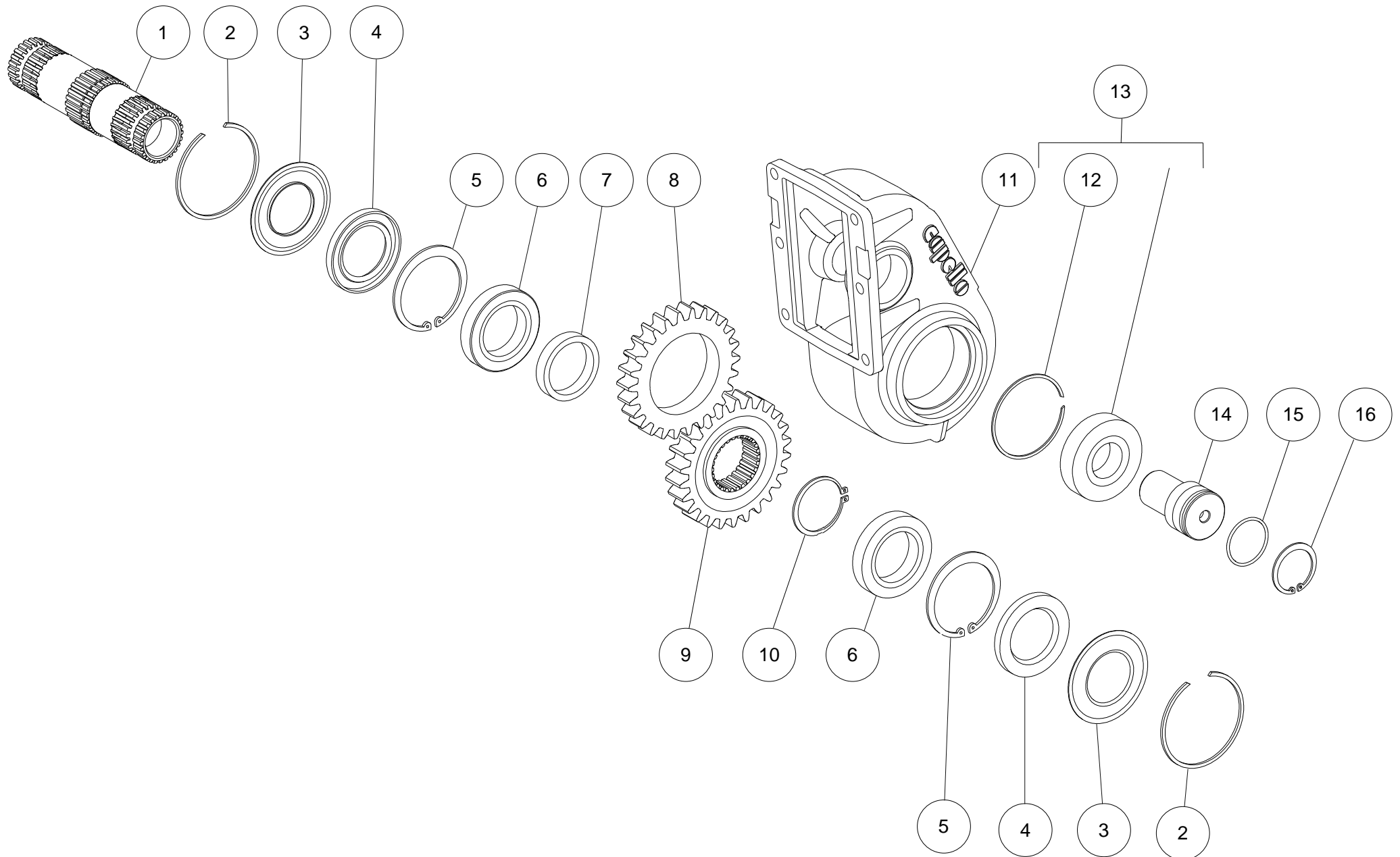
Pos	Code	Descrizione	Note	Description	Description	Beschreibung	Descripcìon
1	03.2100.00	STAFFA DESTRA		RIGHT SUPPORT	SUPPORT DROITE	BUEGEL RECHTS	SOPORTE DERECHO
2	01.0143.00	TIRANTE DESTRO		RIGHT SPINDLE	BROCHE DROITE	STANGE RECHTS	TIRANTE DERECHO
3	PMF-000064	VITE TENSILOCK	M10X20	SCREW TENSILOCK	VIS TENSILOCK	SCHRAUBE TENSILOCK	TORNILLO TENSILOCK
4	03.2076.00	BARILOTTO		BUSHING	DOUILLE	BÜCHSE	HEVILLA
5	01.0142.00	TIRANTE SINISTRO		LEFT SPINDLE	BROCHE GAUCHE	STANGE LINKS	TORNILLO IZQUIERDO
6	01.1003.00	TIRANTE		ROD	TIRANT	STANGE	TIRANDO
7	PMF-000384	DADO	M 22 SX	HEXAGONAL NUT	ECROU SIX PANS	SICHERUNGSMUTTER	CONTRATUERCA
8	PMF-000385	DADO	M 22 DX	HEXAGONAL NUT	ECROU SIX PANS	SICHERUNGSMUTTER	CONTRATUERCA
9	01.1004.00	TIRANTE		ROD	TIRANT	STANGE	TIRANDO
10	03.2101.00	STAFFA SINISTRA		LEFT SUPPORT	SUPPORT GAUCHE	BUEGEL LINKS	SOPORTE IZQUIERDO
11	PMF-000037	VITE TE	M12X50	HEXAGONAL SCREW	VIS SIX PANS	SECHSKANTSCHRAUBE	TORNILLO
12	PMF-000024	DADO AUTOBLOCCANTE	M12	SECURING NUT	ECROU INDESSERRAB	SICHERUNGSMUTTER	CONTRATUERCA
13	PMF-000064	VITE TENSILOCK	M10X20	SCREW TENSILOCK	VIS TENSILOCK	SCHRAUBE TENSILOCK	TORNILLO TENSILOCK
14	03.2004.02	BARILOTTO		BUSHING	DOUILLE	BÜCHSE	HEVILLA



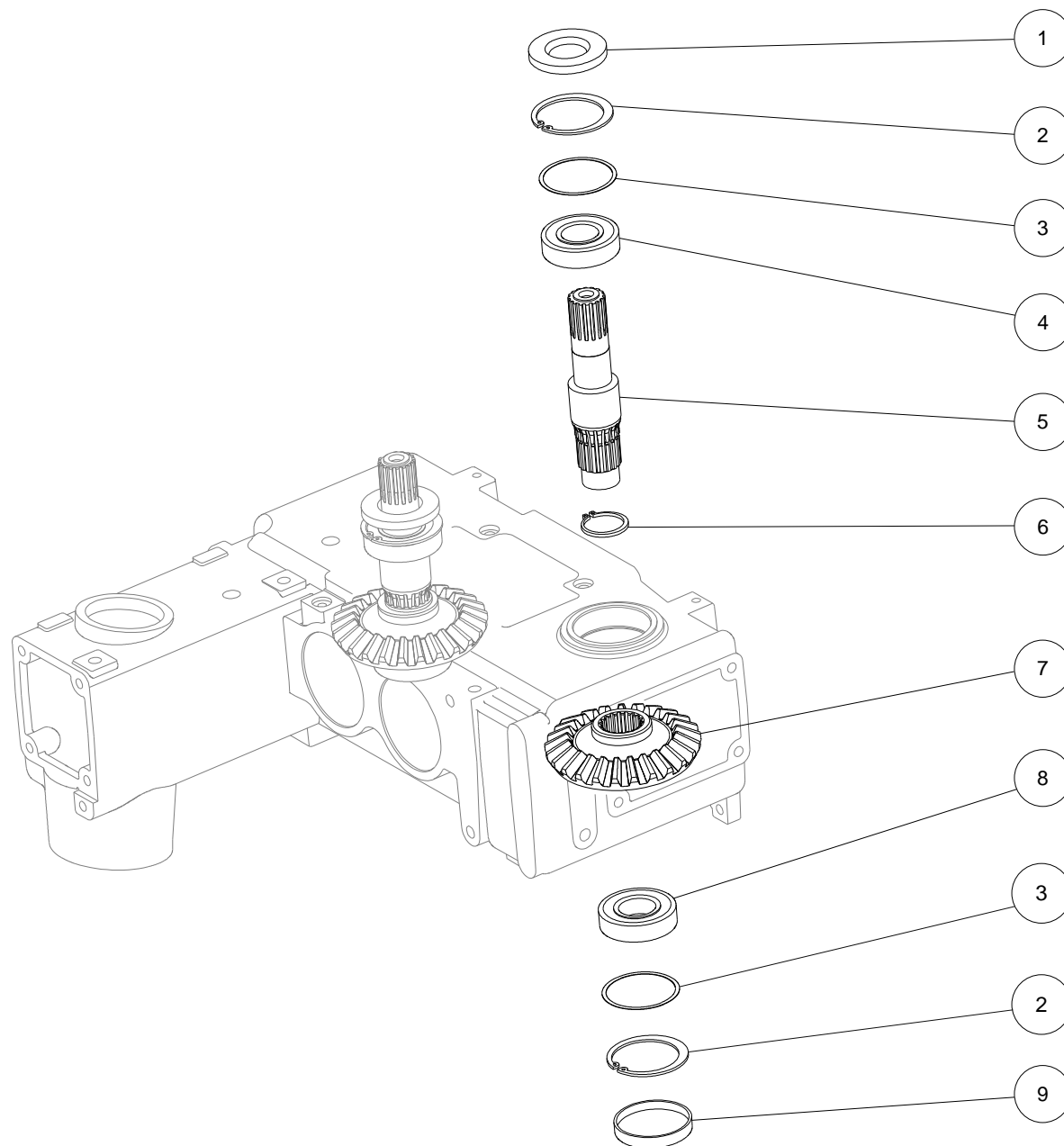
Pos	Code	Descrizione	Note	Description	Description	Beschreibung	Descripción
1	01.0143.00	TIRANTE DESTRO		RIGHT SPINDLE	BROCHE DROITE	STANGE RECHTS	TIRANTE DERECHO
2	PMF-000186	VITE TE	M10X25	HEXAGONAL SCREW	VIS SIX PANS	SECHSKANTSCHRAUBE	TORNILLO
3	PMF-000385	DADO	M22 DX	HEXAGONAL NUT	ECROU SIX PANS	SICHERUNGSMUTTER	CONTRATUERCA
4	M1-40119	PUNTALINO MASCHIO		PUSH ROD	EMBOUT	BUGELHALTER	PUNTA
5	M1-40118	PUNTALINO FEMMINA		PUSH ROD	EMBOUT	BUGELHALTER	PUNTA
6	PMF-000384	DADO	M22 SX	HEXAGONAL NUT	ECROU SIX PANS	SICHERUNGSMUTTER	CONTRATUERCA
7	01.0142.00	TIRANTE SINISTRO		LEFT SPINDLE	BROCHE GAUCHE	STANGE LINKS	TORNILLO IZQUIERDO
8	PMF-000391	RONDELLA	10.5X18X2.7	WASHER	RONDELLE	SCHEIBE	ARANDELLA

SHANK

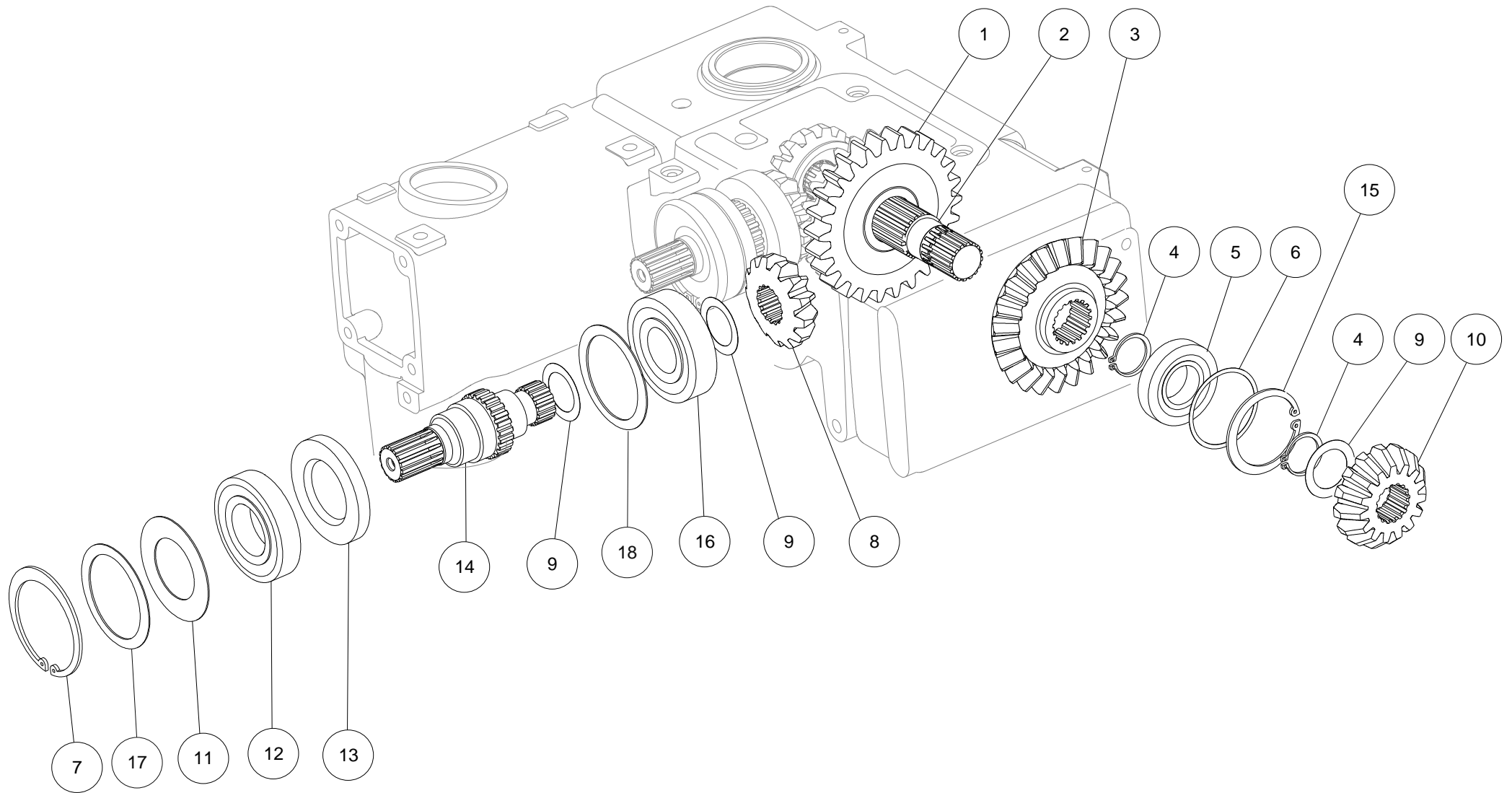
CODOLO



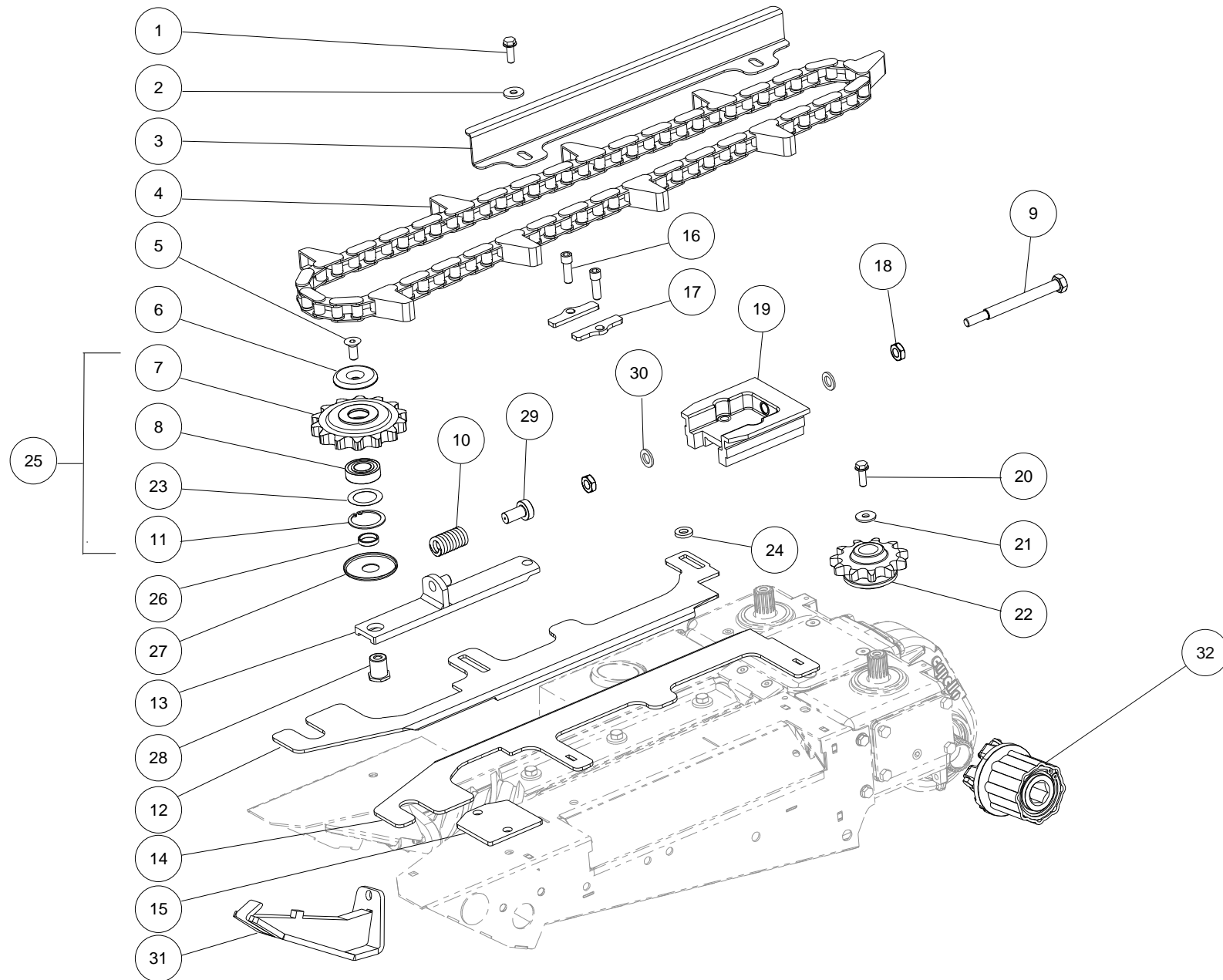
Pos	Code	Descrizione	Note	Description	Description	Beschreibung	Descripcìon
1	04.5037.00	ALBERO		SHAFT	ARBRE	WELLE	EJE
2	04.5031.00	ANELLO DI SPALLAMENTO		SNAP RING	ANNEAU DE RETENUE	RING	ANILLO
3	04.5032.01	PROTEZIONE		SAFETY DISC	GARANT	DECKSCHEIBE	PROTECCION
4	PMF-000148	ANELLO DI TENUTA	50X80X8	SEAL RING	BAGUE D'ETANCHEIT	BACKRING	ANILLO
5	PMF-000121	ANELLO ELASTICO	I 80X2.5	CIRCLIP	CIRCLIP	SICHERUNGSRING	ANILLO ELASTICO
6	PMS-000022	CUSCINETTO A SFERE		BALL BEARING	ROULEMENT A BILLES	KUGELLAGER	RODAMIENTO DE BOLAS
7	04.5035.00	DISTANZIALE		SPACER	EPAISSEUR	DISTANZSCHEIBE	ESPACIADOR
8	M1-80142	INGRANAGGIO		GEAR	ROUE DENTEE	STINRAD	ENGRANAJE
9	04.5036.00	INGRANAGGIO		GEAR	ROUE DENTEE	STINRAD	ENGRANAJE
10	04.5038.00	ANELLO ELASTICO	E 55X2	CIRCLIP	CIRCLIP	SICHERUNGSRING	ANILLO ELASTICO
11	04.5097.00	SCATOLA DI TRASMISSIONE		GEARBOX	BOITIER D'ENTRAINEMENT	GETRIEBE	CAJA ENGRANAJE
12	M1-80167	ANELLO ELASTICO		CIRCLIP	CIRCLIP	SICHERUNGSRING	ANILLO ELASTICO
13	PMS-000025	CUSCINETTO A SFERE		BALL BEARING	ROULEMENT A BILLES	KUGELLAGER	RODAMIENTO DE BOLAS
14	M1-80141	PERNO		PIVOT	TETON	ZAPFEN	PIVOTE
15	04.5043.00	O-RING		O-RING	O-RING	O-RING	O-RING
16	PMF-000006	ANELLO ELASTICO	I 47X1.75	CIRCLIP	CIRCLIP	SICHERUNGSRING	ANILLO ELASTICO



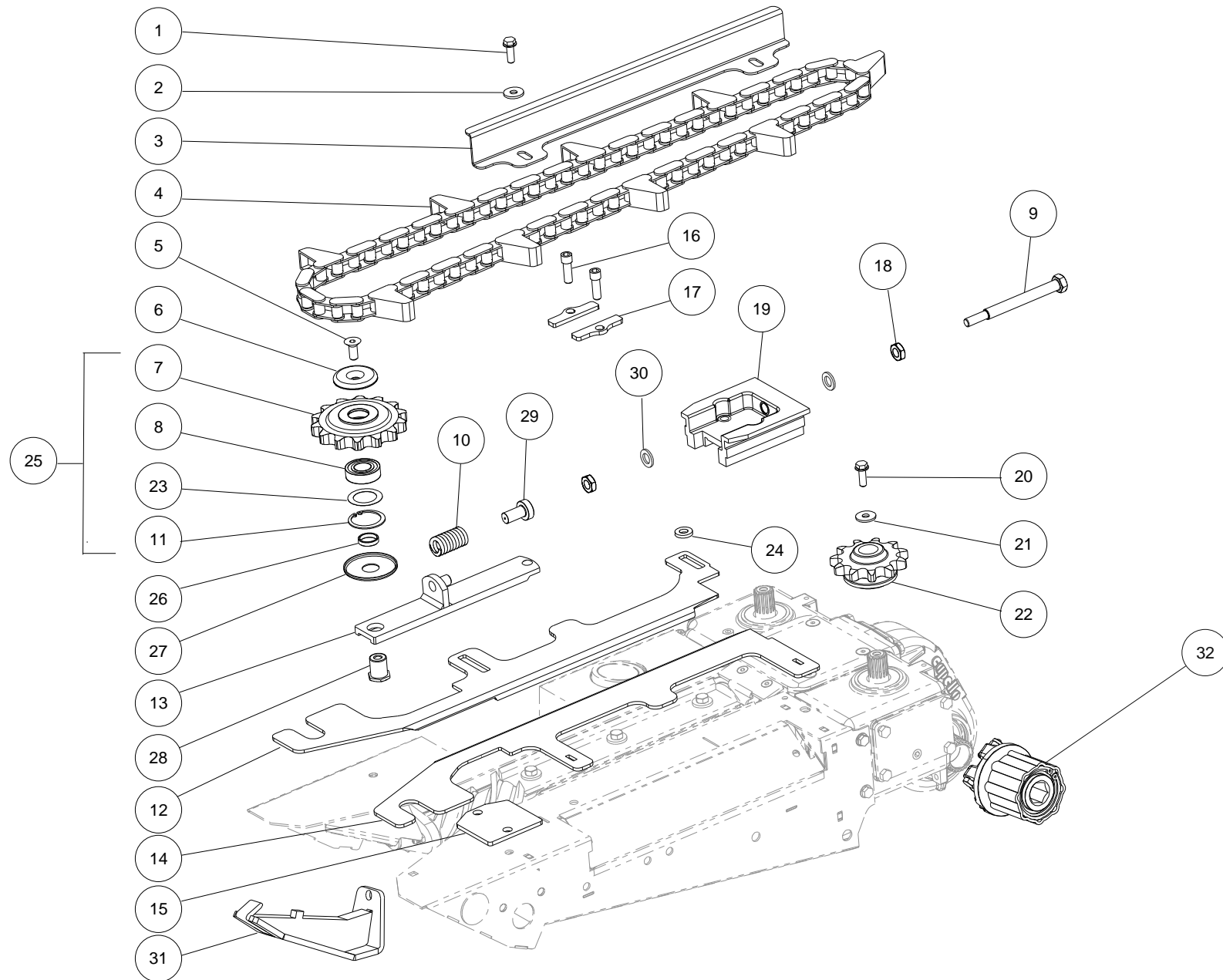
Pos	Code	Descrizione	Note	Description	Description	Beschreibung	Descripción
1	PMF-000115	ANELLO DI TENUTA	30X62X7	SEAL RING	BAGUE D'ETANCHEIT	BACKRING	ANILLO
2	PMF-000118	ANELLO ELASTICO	I 62X2	CIRCLIP	CIRCLIP	SICHERUNGSRING	ANILLO ELASTICO
3	04.5319.00	SPESSORE REGISTRABILE	55,3X61,7X0,3	SPACER WASHER	RONDELLE ECARTEMENT	DISTANZSCHEIBE	ARANDELLA DISTANCIADORA
3	04.5320.00	SPESSORE REGISTRABILE	55,3X61,7X0,4	SPACER WASHER	RONDELLE ECARTEMENT	DISTANZSCHEIBE	ARANDELLA DISTANCIADORA
3	04.5321.00	SPESSORE REGISTRABILE	55,3X61,7X0,5	SPACER WASHER	RONDELLE ECARTEMENT	DISTANZSCHEIBE	ARANDELLA DISTANCIADORA
3	04.5331.00	SPESSORE REGISTRABILE	55,3X61,7X0,8	SPACER WASHER	RONDELLE ECARTEMENT	DISTANZSCHEIBE	ARANDELLA DISTANCIADORA
4	PMS-000004	CUSCINETTO A SFERE		BALL BEARING	ROULEMENT A BILLES	KUGELLAGER	RODAMIENTO DE BOLAS
5	04.5011.01	ALBERO		SHAFT	ARBRE	WELLE	EJE
6	PMF-000120	ANELLO ELASTICO	E 35X2.5	CIRCLIP	CIRCLIP	SICHERUNGSRING	ANILLO ELASTICO
7	M1-80148	INGRANAGGIO		GEAR	ROUE DENTEE	STINRAD	ENGRANAJE
8	PMS-000023	CUSCINETTO A SFERE		BALL BEARING	ROULEMENT A BILLES	KUGELLAGER	RODAMIENTO DE BOLAS
9	PMF-000097	TAPPO	62X10	COVER	COUVERCLE	DECKEL	COPERTURA



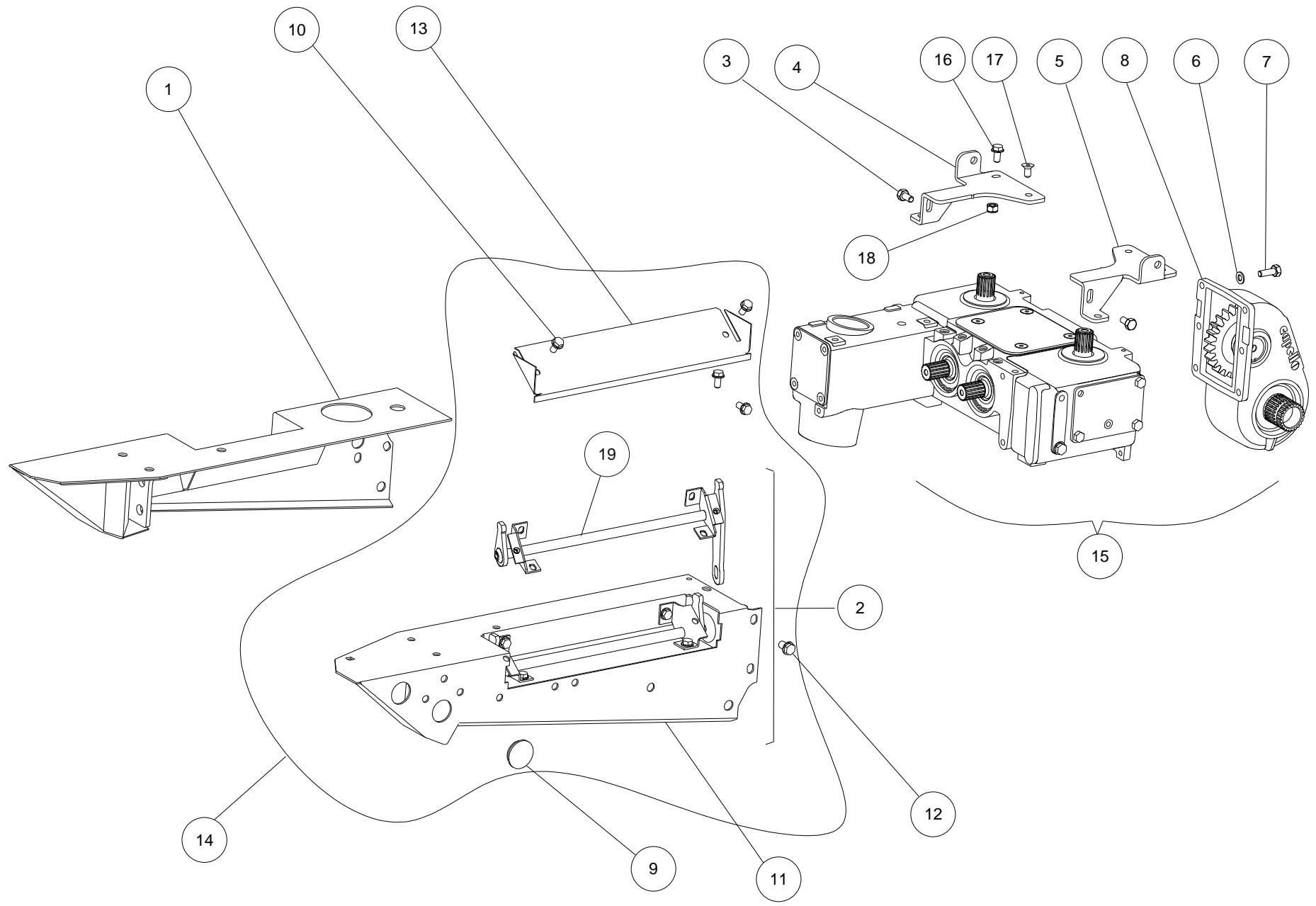
Pos	Code	Descrizione	Note	Description	Description	Beschreibung	Descripció
1	M1-80144	INGRANAGGIO		GEAR	ROUE DENTEE	STINRAD	ENGRANAJE
2	M1-80145	ALBERO		SHAFT	ARBRE	WELLE	EJE
3	M1-80146	CORONA CONICA		BEVEL GEAR	ROUE CONIQUE	STINRAD	ENGRANAJE
4	PMF-000119	ANELLO ELASTICO	E 30X1,5	CIRCLIP	CIRCLIP	SICHERUNGSRING	ANILLO ELASTICO
5	PMS-000028	CUSCINETTO A RULLI		ROLLER BEARING	PALIER A ROULEAUX	SCHRAEGROLLENLAGER	RODAMIENTO DE RODILLOS
6	04.5319.00	SPESSORE REGISTRABILE	55.3X6X0.5	SPACER WASHER	RONDELLE ECARTEMENT	DISTANZSCHEIBE	ARANDELLA DISTANCIADORA
6	04.5320.00	SPESSORE REGISTRABILE	55.3X6X0.4	SPACER WASHER	RONDELLE ECARTEMENT	DISTANZSCHEIBE	ARANDELLA DISTANCIADORA
6	04.5321.00	SPESSORE REGISTRABILE	55.3X6X0.3	SPACER WASHER	RONDELLE ECARTEMENT	DISTANZSCHEIBE	ARANDELLA DISTANCIADORA
6	04.5331.00	SPESSORE REGISTRABILE	55.3X6X1.5	SPACER WASHER	RONDELLE ECARTEMENT	DISTANZSCHEIBE	ARANDELLA DISTANCIADORA
7	PMF-000121	ANELLO ELASTICO	I 80X2.5	CIRCLIP	CIRCLIP	SICHERUNGSRING	ANILLO ELASTICO
8	M1-80143	PIGNONE CONICO	Z13	SPROCKET	PIGNON CONIQUE	KEGELRAD	PIÑÓN
9	M1-80155	SPESSORE REGISTRABILE	30.3X44X1.5	SPACER WASHER	RONDELLE ECARTEMENT	DISTANZSCHEIBE	ARANDELLA DISTANCIADORA
9	M1-80218	SPESSORE REGISTRABILE	30.3X44X0.5	SPACER WASHER	RONDELLE ECARTEMENT	DISTANZSCHEIBE	ARANDELLA DISTANCIADORA
9	M1-80219	SPESSORE REGISTRABILE	30.3X44X0.3	SPACER WASHER	RONDELLE ECARTEMENT	DISTANZSCHEIBE	ARANDELLA DISTANCIADORA
9	M1-80220	SPESSORE REGISTRABILE	30.3X44X0.4	SPACER WASHER	RONDELLE ECARTEMENT	DISTANZSCHEIBE	ARANDELLA DISTANCIADORA
10	M1-80147	PIGNONE CONICO		SPROCKET	PIGNON CONIQUE	KEGELRAD	PIÑÓN
11	04.5092.00	RONDELLA		WASHER	RONDELLE	SCHEIBE	ARANDELLA
12	04.5022.00	CUSCINETTO A SFERE		BALL BEARING	ROULEMENT A BILLES	KUGELLAGER	RODAMIENTO DE BOLAS
13	PMF-000114	ANELLO DI TENUTA	45X80X10	SEAL RING	BAGUE D'ETANCHEIT	BACKRING	ANILLO
14	04.5025.00	ALBERO		SHAFT	ARBRE	WELLE	EJE
15	PMF-000118	ANELLO ELASTICO	I 62X2	CIRCLIP	CIRCLIP	SICHERUNGSRING	ANILLO ELASTICO
16	PMS-000021	CUSCINETTO A SFERE		BALL BEARING	ROULEMENT A BILLES	KUGELLAGER	RODAMIENTO DE BOLAS
17	04.5344.00	SPESSORE REGISTRABILE	69X79.7X1.0	SPACER WASHER	RONDELLE ECARTEMENT	DISTANZSCHEIBE	ARANDELLA DISTANCIADORA
17	M1-80202	SPESSORE REGISTRABILE	69X79.7X0.5	SPACER WASHER	RONDELLE ECARTEMENT	DISTANZSCHEIBE	ARANDELLA DISTANCIADORA
18	04.5344.00	SPESSORE REGISTRABILE	69X79.7X1.0	SPACER WASHER	RONDELLE ECARTEMENT	DISTANZSCHEIBE	ARANDELLA DISTANCIADORA



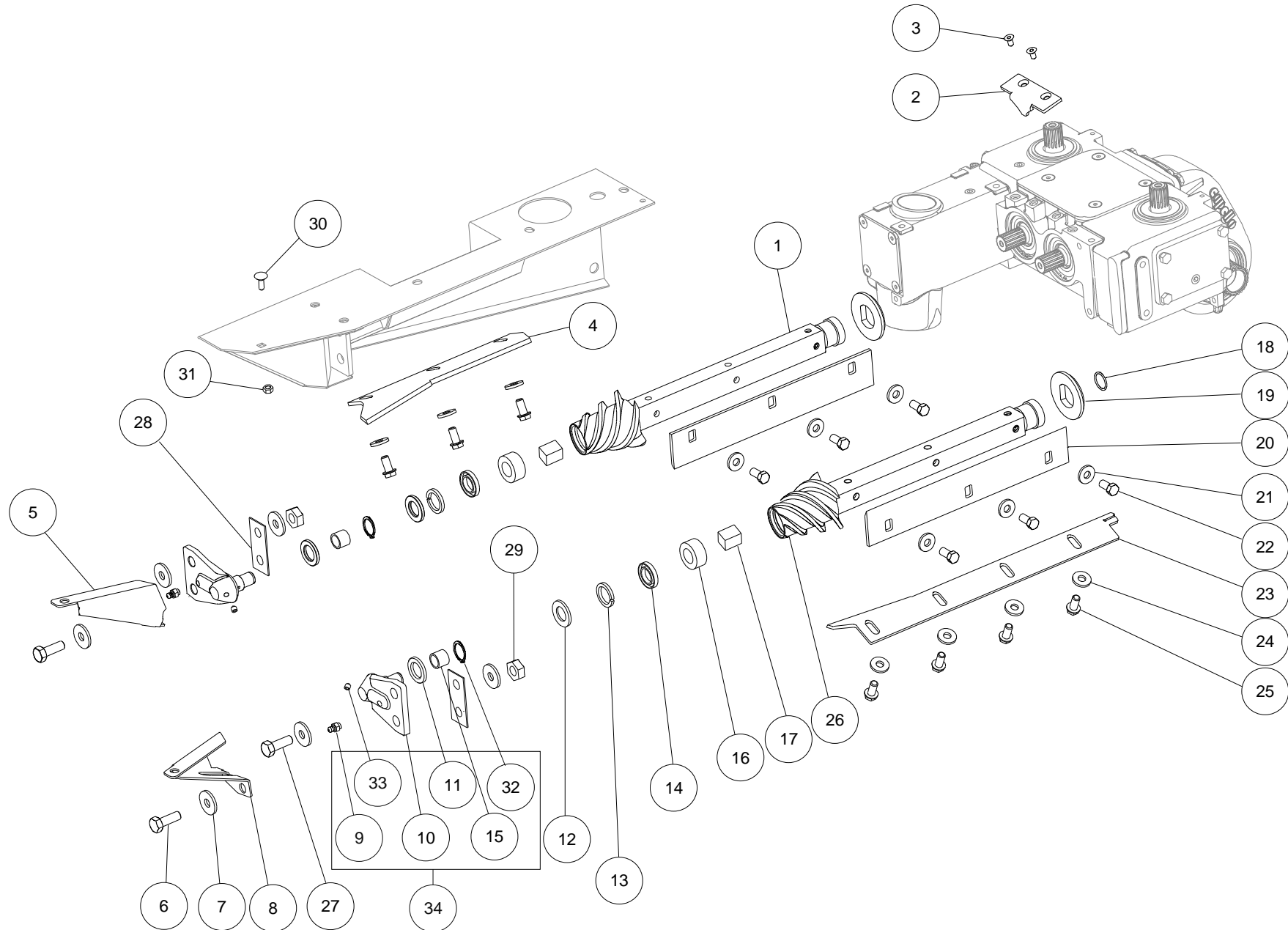
Pos	Code	Descrizione	Note	Description	Description	Beschreibung	Descripcìon
1	PMF-000252	VITE TENSILOCK	M12X35	SECURING SCREW TENSILOCK	VIS TENSILOCK	SCHRAUBE TENSILOCK	TORNILLO TENSILOCK
2	02.2092.00	RONDELLA	12X40X2.5	WASHER	RONDELLE	SCHEIBE	ARANDELLA
3	01.0188.00	GUIDACATENA		CHAIN GUIDE	GUIDE CHAINE	KETTENFUEHRUNG	GUIA PARA CADENA
4	M1-80140	CATENA RACCOGLITRICE		COVEYOR CHAIN	CHAINE CONVOYEUR	FOERDERKETTE	CADENA
5	PMF-000444	VITE TSEI	M12X25	COUNTERSUNK SCREW	VIS A TETE FRAISEE	SENKSCHRAUBE	TORNILLO
6	03.2110.00	COPERCHIO		COVER	COUVERTURE	DECKEL	COBERTURA
7	03.2113.00	INGRANAGGIO	Z14	GEAR	ROUE DENTEE	STINRAD	ENGRANAJE
8	04.5052.00	CUSCINETTO A SFERE		BALL BEARING	ROULEMENT A BILLES	KUGELLAGER	RODAMIENTO DE BOLAS
9	03.2105.00	VITE DI REGOLAZIONE		ADJUSTING SCREW	VIS	SCHRAUBE	TORNILLO
10	03.2014.01	MOLLA		COMPRESS SPRING	RESSORT	DRUCKFEDER	MUELLE
11	04.5051.00	ANELLO ELASTICO		CIRCLIP	CIRCLIP	SICHERUNGSRING	ANILLO ELASTICO
12	01.2623.00	PIATTO SPANNOCCHIATORE DESTRO		PICKER PLATE RIGHT	PLAQUE CUILLEUSE DROITE	PFLUECKPLATTE RECHTS	PLATA DE ORDERO DERECHA
13	03.2114.00	STAFFA		BRACKET	SUPPORT	BUEGEL	SOPORTE
14	01.2624.00	PIATTO SPANNOCCHIATORE SINISTRO		PICKER PLATE LEFT	PLAQUE CUILLEUSE GAUCHE	PFLUECKPLATTE LINKS	PLATA DE ORDERO IZQUIERDA
15	01.0261.00	PIASTRA		PLATE	PLAQUE	PLATTE	PLACA
16	PMF-000452	VITE TCEI	M12X55	SOCKET HEAD SCREW	VIS CYLINDRIQUE	ZYLINDERSCHRAUBE	TORNILLO
17	01.0668.00	PIASTRA		PLATE	PLAQUE	PLATTE	PLACA
18	PMF-000390	DADO	M16	HEXAGONAL NUT	ECROU SIX PANS	SICHERUNGSMUTTER	CONTRATUERCA
19	03.2015.01	GUIDACATENA		CHAIN GUIDE	GUIDE CHAINE	KETTENFUEHRUNG	GUIA PARA CADENA
20	PMF-000040	VITE TENSILOCK	M10X25	SECURING SCREW TENSILOCK	VIS TENSILOCK	SCHRAUBE TENSILOCK	TORNILLO TENSILOCK
21	01.0183.00	RONDELLA		WASHER	RONDELLE	SCHEIBE	ARANDELLA
22	03.1990.00	INGRANAGGIO	Z13	GEAR	ROUE DENTEE	STINRAD	ENGRANAJE
22	03.1995.00	INGRANAGGIO	Z11	GEAR	ROUE DENTEE	STINRAD	ENGRANAJE
22	03.2012.00	INGRANAGGIO	Z10	GEAR	ROUE DENTEE	STINRAD	ENGRANAJE
23	03.2125.00	DISCO DI PROTEZIONE		DISC GUARD	DISQUE DE PROTECTION	DECKSCHEIBE	DISCO DE PROTECCION



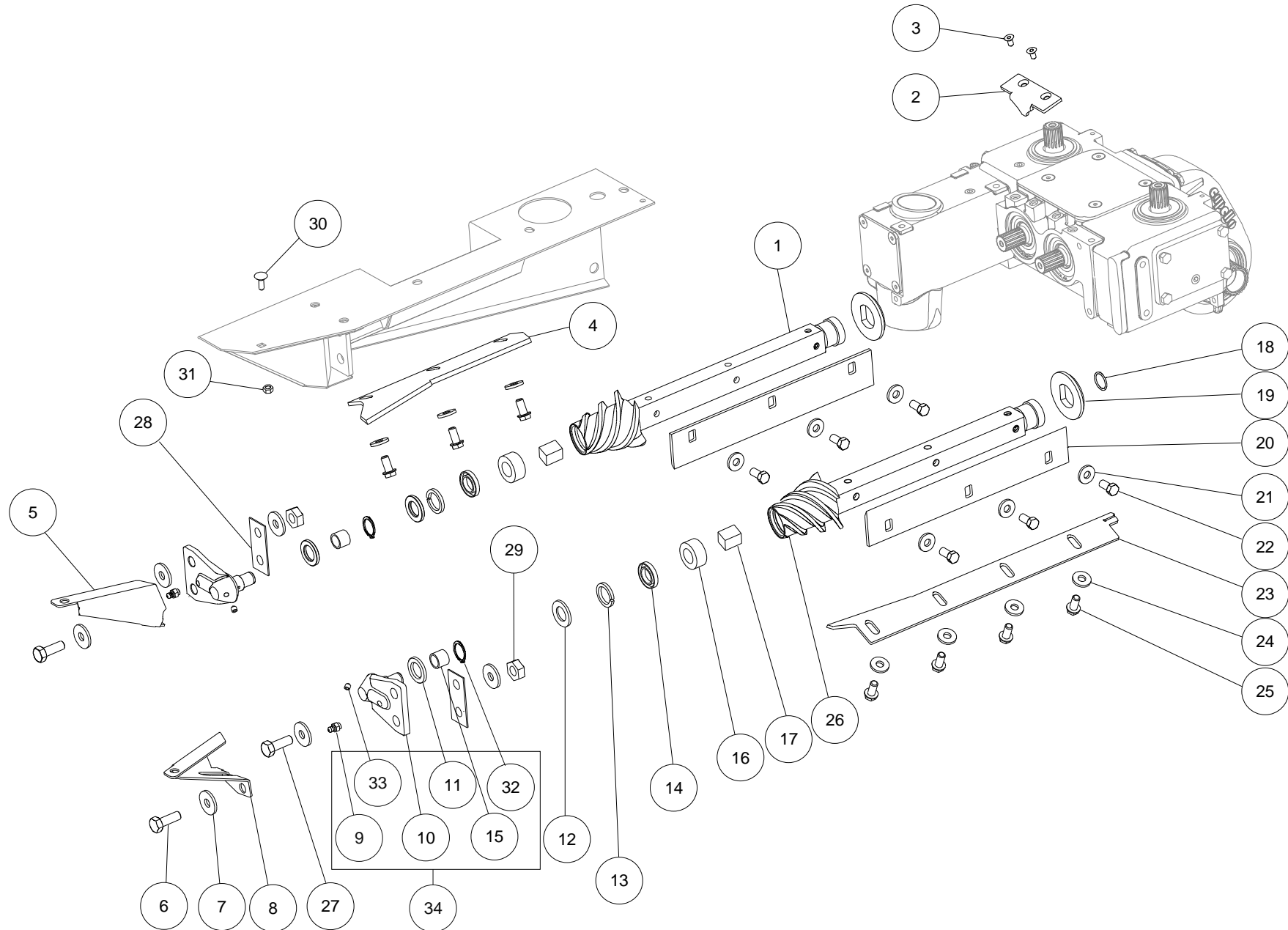
Pos	Code	Descrizione	Note	Description	Description	Beschreibung	Descripción
24	01.0262.00	SPESSORE REGISTRABILE		SPACER WASHER	RONDELLE ECARTEMENT	DISTANZSCHEIBE	ARANDELLA DISTANCIADORA
25	01.1255.00	INGRANAGGIO	Z14	GEAR	ROUE DENTEE	STINRAD	ENGRANAJE
26	03.2112.00	DISTANZIALE		SPACER	EPAISSEUR	DISTANZSCHEIBE	ESPACIADOR
27	03.2126.00	PIATTELLO		DISC	GARANT	DECKSCHEIBE	CARTER
28	03.2111.00	PERNO		PIVOT	TETON	ZAPFEN	PIVOTE
29	03.2106.00	BARILOTTO		BUSHING	DOUILLE	BÜCHSE	HEVILLA
30	01.1235.00	RONDELLA	16X25X4	WASHER	RONDELLE	SCHEIBE	ARANDELLA
31	01.1531.00	PATTINO		TRACK SHOE	PATIN	BODENPLATTE	PATIN
32	03.4920.00	LIMITATORE		CLUTCH	EMBAYAGE	KUPPLUNG	EMBRAGUE



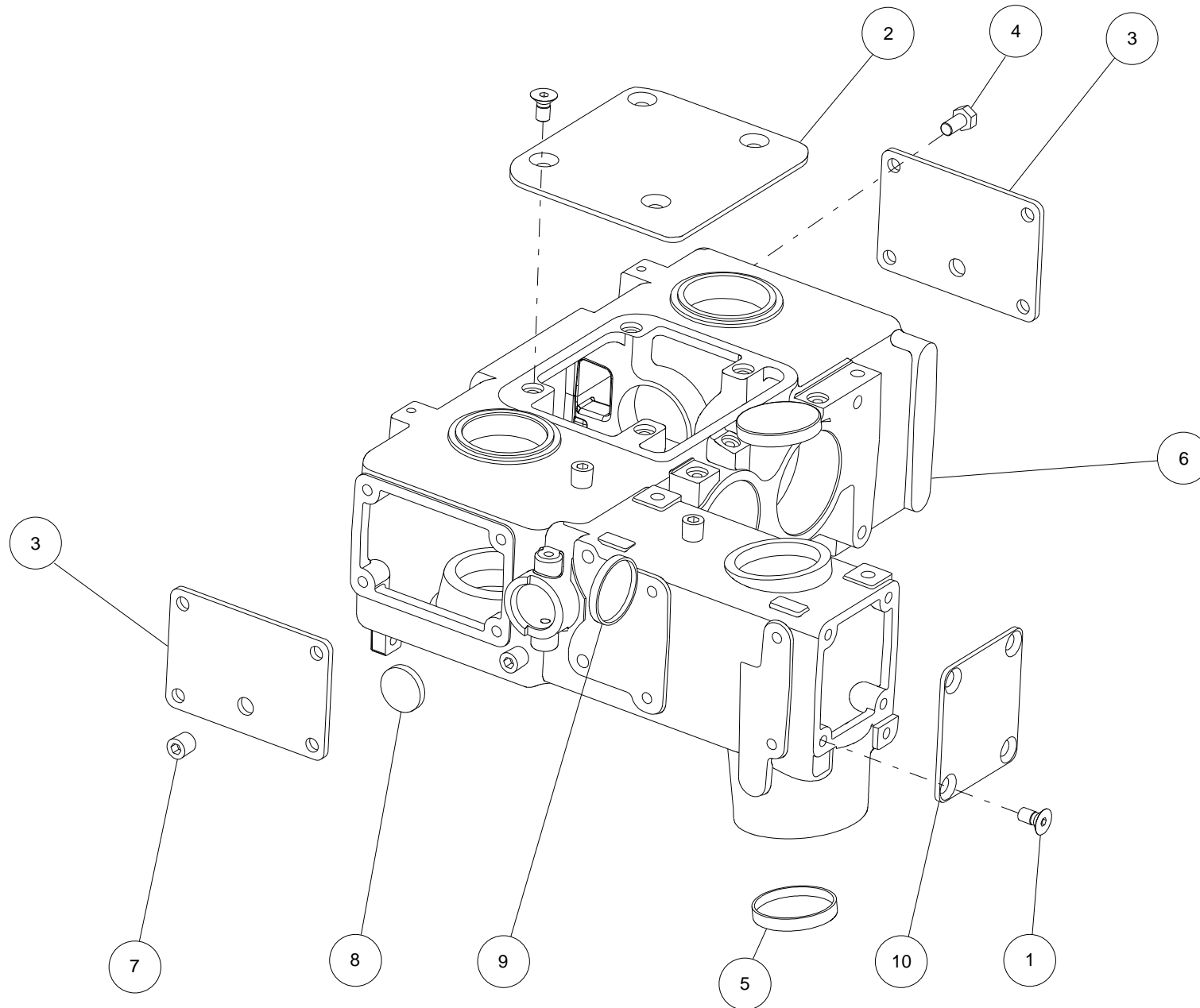
Pos	Code	Descrizione	Note	Description	Description	Beschreibung	Descripcìon
1	03.4802.00	INVOLUCRO DESTRO		RIGHT PLATE	PLAQUE DROITE	PLATTE RECHTS	PLACA DERECHA
2	03.4151.00	INVOLUCRO SINISTRO CON LEVA		LEFT PLATE	PLAQUE GAUCHE	PLATTE LINKS	PLACA IZQUIERDA
3	PMF-000134	VITE TE	M10X20	HEXAGONAL SCREW	VIS SIX PANS	SECHSKANTSCHRAUBE	TORNILLO
4	01.1008.02	CERNIERA DESTRA		RIGHT HINGE	CHARNIERE DROITE	SCHARNIER RECHTS	BISEGRA DERECHA
5	01.1007.02	CERNIERA SINISTRA		LEFT HINGE	CHARNIERE GAUCHE	SCHARNIER LINKS	BISAGRA IZQUIERDA
6	PMF-000105	RONDELLA	10.5X20X2	WASHER	RONDELLE	SCHEIBE	ARANDELLA
7	PMF-000132	VITE TE	M10X30	HEXAGONAL SCREW	VIS SIX PANS	SECHSKANTSCHRAUBE	TORNILLO
8	04.5106.00	CODOLO COMPLETO		GEARBOX HOUSING COMPLETE	BOITIER COMPLET	GETRIEBEGEAUEUSE KOMPLETT	CAJA ENGRANAJE COMPLETA
9	03.2017.00	TAPPO		COVER	COUVERTURE	DECKEL	COPERTURA
10	PMF-000047	VITE TENSILOCK	M8X16	SECURING SCREW TENSILOCK	VIS TENSILOCK	SCHRAUBE TENSILOCK	TORNILLO TENSILOCK
11	03.4804.00	INVOLUCRO SINISTRO		LEFT PLATE	PLAQUE GAUCHE	PLATTE LINKS	PLACA IZQUIERDA
12	PMF-000045	VITE TENSILOCK	M12X20	SECURING SCREW TENSILOCK	VIS TENSILOCK	SCHRAUBE TENSILOCK	TORNILLO TENSILOCK
13	03.4232.00	COPERCHIO		COVER	COUVERTURE	DECKEL	COBERTURA
14	03.4806.00	INVOLUCRO SINISTRO COMPLETO		LEFT PLATE	PLAQUE GAUCHE COMPLETE	PLATTE LINKS KOMPLETT	PLACA IZQUIERDA COMPLETA
15	03.4846.00	SCATOLA DI TRASMISSIONE COMPLETA	NO STALK CHOPPER	GEARBOX COMPLETE	BOITIER D'ENTRAINEMENT	GETRIEBE KOMPLETT	CAJA ENGRANAJE COMPLETA
15	03.4847.00	SCATOLA DI TRASMISSIONE COMPLETA	WITH STALK CHOPPER	GEARBOX COMPLETE	BOITIER D'ENTRAINEMENT	GETRIEBE KOMPLETT	CAJA ENGRANAJE COMPLETA
16	PMF-000034	VITE TENSILOCK	M8X20	SECURING SCREW TENSILOCK	VIS TENSILOCK	SCHRAUBE TENSILOCK	TORNILLO TENSILOCK
17	PMF-000169	VITE TSEI	M8X16	COUNTERSUNK SCREW	VIS A TETE FRAISEE	SENKSCHRAUBE	TORNILLO
18	PMF-000016	DADO TENSILOCK	M8	SECURING NUT TENSILOCK	ECROU TENSILOCK	SICHERUNGSMUTTER TENSILOCK	CONTRATUERCA TENSILOCK
19	03.4230.00	LEVA		LEVER	LEVIER	HEBEL	PALANCA



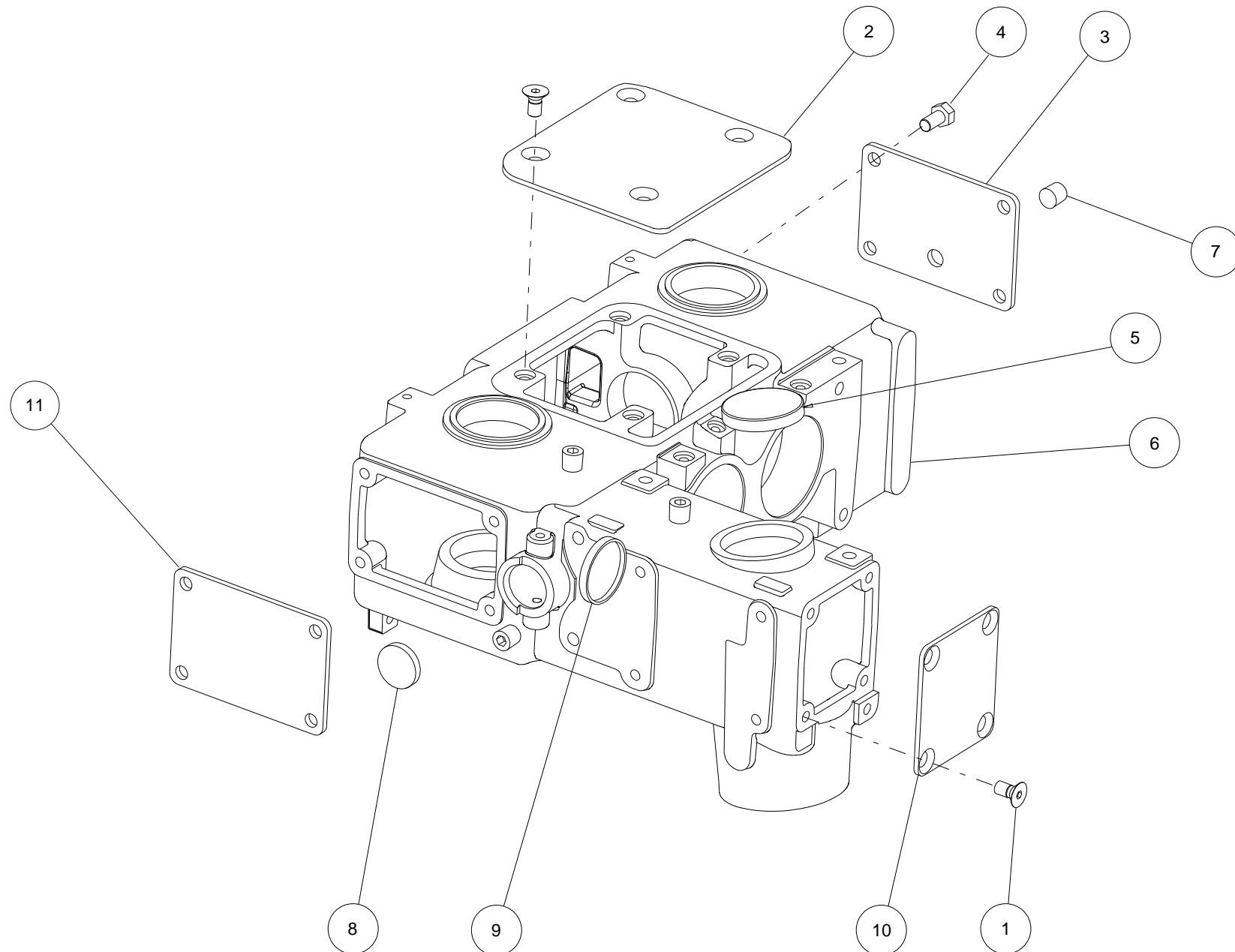
Pos	Code	Descrizione	Note	Description	Description	Beschreibung	Descripción
1	M2-80032	CORPO RULLO DESTRO		RIGHT ROLLER	ROULEAU DROITE	WALZE RECHTS	RODILLO DERECHO
2	M1-80178	PIASTRA RASAERBA		GUARD	GARANT	SCHUTZ	PROTECCION
3	PMF-000169	VITE TSEI	M8X16	COUNTERSUNK SCREW	VIS A TETE FRAISEE	SENKSCHRAUBE	TORNILLO
4	01.1270.00	RASAMENTO DESTRO		STRIPPER KNIFE RIGHT	LAME RACLEUSE DROITE	ABSTREIFMESSER RECHTS	RASCADOR DERECHO
5	M1-80211	RIPARO ANTERIORE DESTRO		RIGHT GUARD	GARANT DROITE	SCHUTZ RECHTS	REPARO DERECHO
6	PMF-000092	VITE TE	M14X50	HEXAGONAL SCREW	VIS SIX PANS	SECHSKANTSCHRAUBE	TORNILLO
7	02.1035.00	RONDELLA	14X30X4	WASHER	RONDELLE	SCHEIBE	ARANDELLA
8	M1-80212	RIPARO ANTERIORE SINISTRO		LEFT GUARD	GARANT GAUCHE	SCHUTZ LINKS	PROTECCION IZQUIERDA
9	PMF-000176	INGRASSATORE	M10	GREASE NIPPLE	GRAISSEUR	SCHMIERNIPPEL	ENGRASADOR
10	M1-80206	SUPPORTO ANTERIORE RULLO		SUPPORT	SUPPORT	UNTERSTÜTZUNG	SOPORTE
11	M1-80210	DISTANZIALE		SPACER	EPAISSEUR	DISTANZSCHEIBE	ESPACIADOR
12	M1-80209	DISTANZIALE		SPACER	EPAISSEUR	DISTANZSCHEIBE	ESPACIADOR
13	M1-80208	FELTRO		FELT RING	RONDELLE FEUTRE	SCHEIBE	ARNDELA
14	M1-80207	ANELLO DI TENUTA		SEAL RING	BAGUE ETANCHEITE	BACKRING	ANILLO
15	PMS-000080	BOCCOLA		BUSHING	DOUILLE	BÜCHSE	HEVILLA
16	PMS-000081	CUSCINETTO A SFERE		BALL BEARING	ROULEMENT A BILLES	KUGELLAGER	RODAMIENTO DE BOLAS
17	M1-80023	TAPPO		COVER	COUVERCLE	DECKEL	COPERTURA
18	PMF-000166	O-RING		O-RING	O-RING	O-RING	O-RING
19	03.2220.00	RONDELLA		WASHER	RONDELLE	SCHEIBE	ARANDELLA
20	M1-80022	COLTELLO SFIBRATORE		PICKER KNIFE	LAME CUILLEUS	HACHSLERMESSER	CUCHILLO
21	PMF-000089	RONDELLA	13X24X2.5	WASHER	RONDELLE	SCHEIBE	ARANDELLA
22	PMF-000090	VITE TE	M12X1.25X20	HEXAGONAL SCREW	VIS SIX PANS	SECHSKANTSCHRAUBE	TORNILLO
23	01.1271.00	RASAMENTO SINISTRO		STRIPPER KNIFE LEFT	LAME RACLEUSE GAUCHE	ABSTREIFMESSER LINKS	RASCADOR IZQUIERDO
24	01.0183.00	RONDELLA	10.5X28X3	WASHER	RONDELLE	SCHEIBE	ARANDELLA
25	PMF-000064	VITE TENSILOCK	M10X20	SCREW TENSILOCK	VIS TENSILOCK	SCHRAUBE TENSILOCK	TORNILLO TENSILOCK



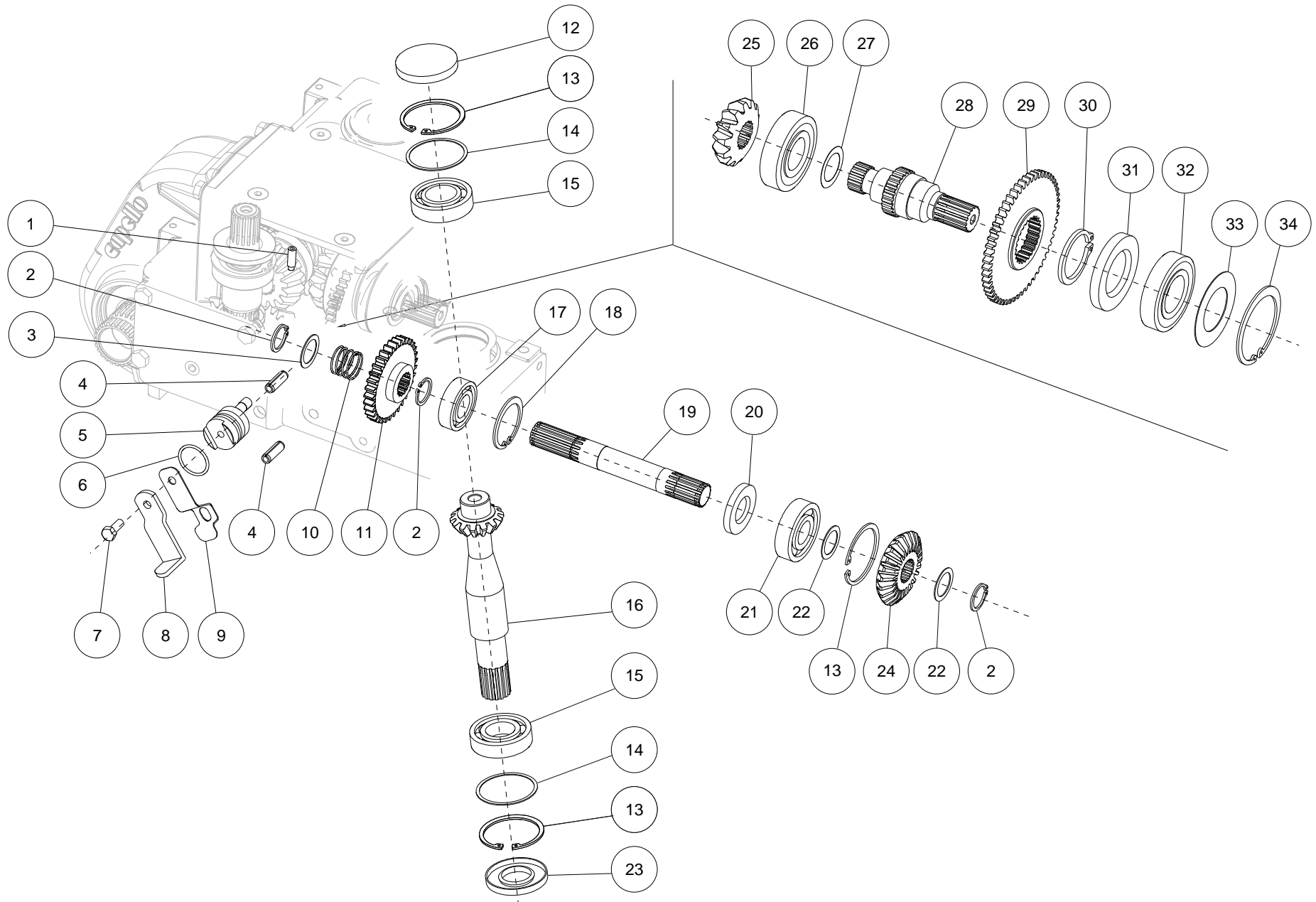
Pos	Code	Descrizione	Note	Description	Description	Beschreibung	Descripción
26	M2-80031	CORPO RULLO SINISTRO		LEFT ROLLER	ROULEAU GAUCHE	WALZE LINKS	RODILLO IZQUIERDO
27	PMF-000091	VITE TE	M14X40	HEXAGONAL SCREW	VIS SIX PANS	SECHSKANTSCHRAUBE	TORNILLO
28	M1-80177	SPESSORE RULLO		METAL SPACER	TOLE	DISTANZBLECH	CASQUILLO
29	PMF-000031	DADO AUTOBLOCCANTE	M14	SECURING NUT	ECROU INDESSERRAB	SICHERUNGSMUTTER	CONTRATUERCA
30	PMF-000029	VITE TBQS	M10X25	COACH SCREW	VIS A TETE BOMBEE	FLACHRUNDSCHRAUBE	TORNILLO
31	PMF-000012	DADO TENSILOCK	M10	SECURING NUT TENSILOCK	ECROU TENSILOCK	SICHERUNGSMUTTER TENSILOCK	CONTRATUERCA TENSILOCK
32	PMF-000572	ANELLO ELASTICO		CIRCLIP	CIRCLIP	SICHERUNGSRING	ANILLO ELASTICO
33	PMF-000362	VITE STEI		GRUB SCREW	GOUPILLE	NUT	TORNILLO
34	M2-80033	SUPPORTO ANTERIORE RULLO		SUPPORT	SUPPORT	UNTERSTÜTZUNG	SOPORTE



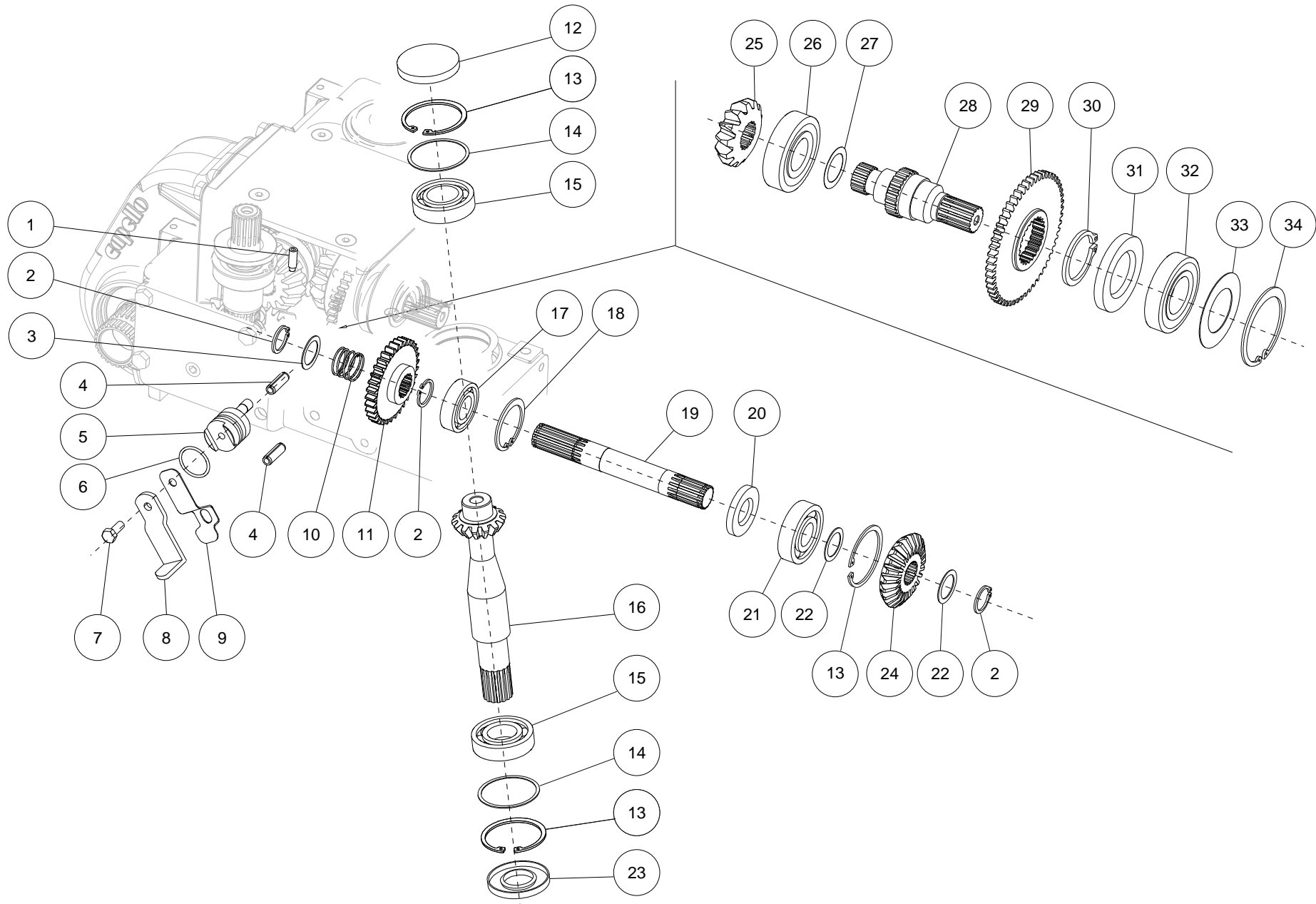
Pos	Code	Descrizione	Note	Description	Description	Beschreibung	Descripción
1	PMF-000135	VITE TSEI	M10X20	COUNTERSUNK SCREW	VIS A TETE FRAISEE	SENKSCHRAUBE	TORNILLO
2	03.4130.00	COPERCHIO		COVER	COUVERTURE	DECKEL	COBERTURA
3	M1-80151	COPERCHIO		COVER	COUVERTURE	DECKEL	COBERTURA
4	PMF-000134	VITE TE	M10X20	HEXAGONAL SCREW	VIS SIX PANS	SECHSKANTSCHRAUBE	TORNILLO
5	PMF-000097	TAPPO	62X10	COVER	COUVERCLE	DECKEL	COPERTURA
6	04.5103.00	SCATOLA DI TRASMISSIONE		GEARBOX	BOITIER D'ENTRAINEMENT	GETRIEBE	CAJA ENGRANAJE
7	04.5099.00	TAPPO LIVELLO OLIO	3/8"	SCREW PLUG	BOUCHON FILETEE	VERSCHL SCHAUBE	TAPON ROSCADO
8	PMF-000411	TAPPO	34X10	COVER	COUVERCLE	DECKEL	COPERTURA
9	04.5091.00	TAPPO	52X7	COVER	COUVERTURE	DECKEL	COPERTURA
10	04.5089.00	COPERCHIO		COVER	COUVERTURE	DECKEL	COBERTURA



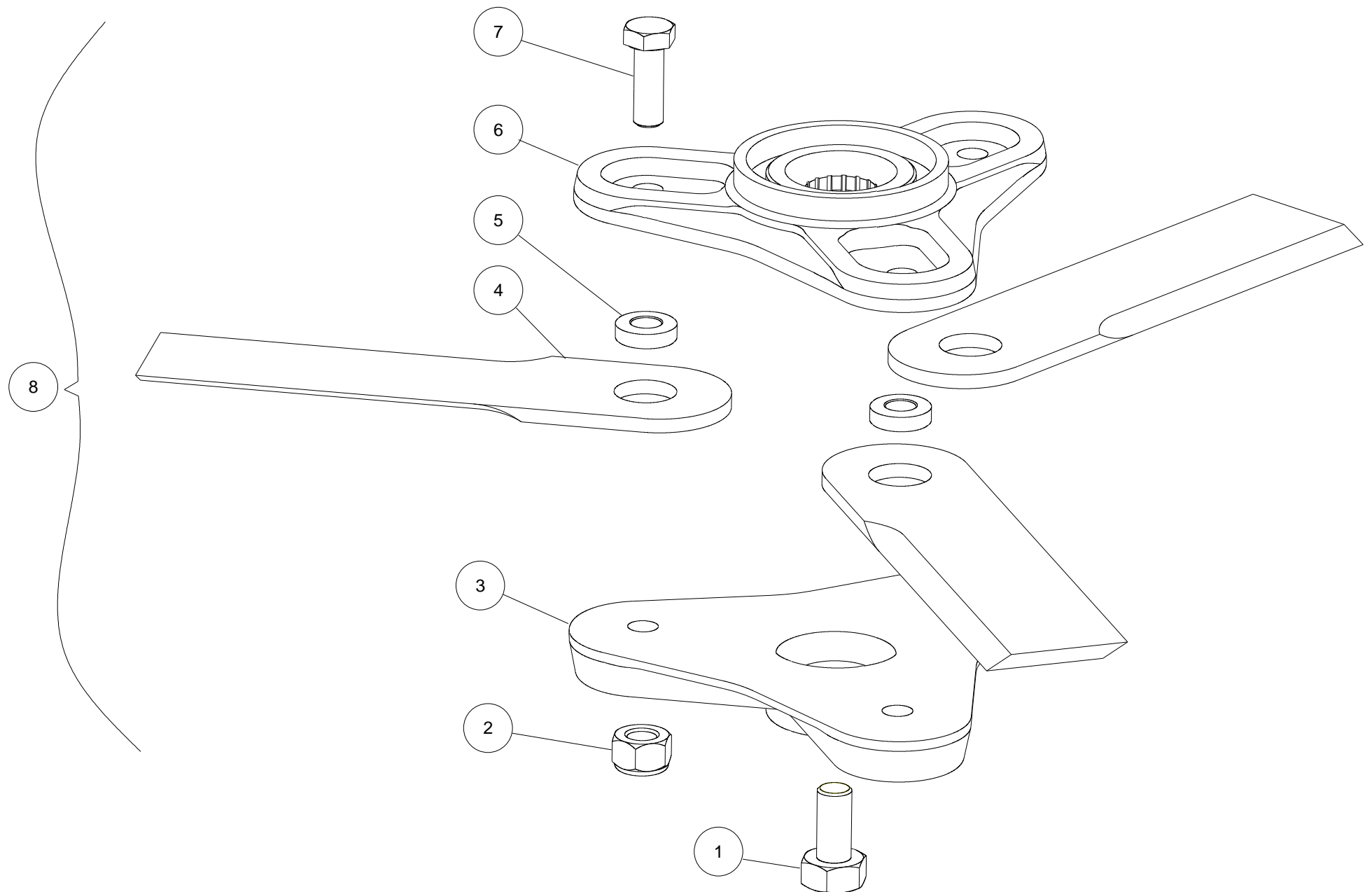
Pos	Code	Descrizione	Note	Description	Description	Beschreibung	Descripción
1	PMF-000135	VITE TSEI	M10X20	COUNTERSUNK SCREW	VIS A TETE FRAISEE	SENKSCRAUBE	TORNILLO
2	03.4130.00	COPERCHIO		COVER	COUVERTURE	DECKEL	COBERTURA
3	M1-80151	COPERCHIO		COVER	COUVERTURE	DECKEL	COBERTURA
4	PMF-000134	VITE TE	M10X20	HEXAGONAL SCREW	VIS SIX PANS	SECHSKANTSCHRAUBE	TORNILLO
5	PMF-000097	TAPPO	62X10	COVER	COUVERCLE	DECKEL	COPERTURA
6	04.5103.00	SCATOLA DI TRASMISSIONE		GEARBOX	BOITIER D'ENTRAINEMENT	GETRIEBE	CAJA ENGRANAJE
7	04.5099.00	TAPPO LIVELLO OLIO	3/8"	SCREW PLUG	BOUCHON FILETEE	VERSCHL SCHAUBE	TAPON ROSCADO
8	PMF-000411	TAPPO	34X10	COVER	COUVERCLE	DECKEL	COPERTURA
9	04.5091.00	TAPPO	52X7	COVER	COUVERTURE	DECKEL	COPERTURA
10	04.5089.00	COPERCHIO		COVER	COUVERTURE	DECKEL	COBERTURA
11	04.5325.00	COPERCHIO		COVER	COUVERTURE	DECKEL	COPERTURA



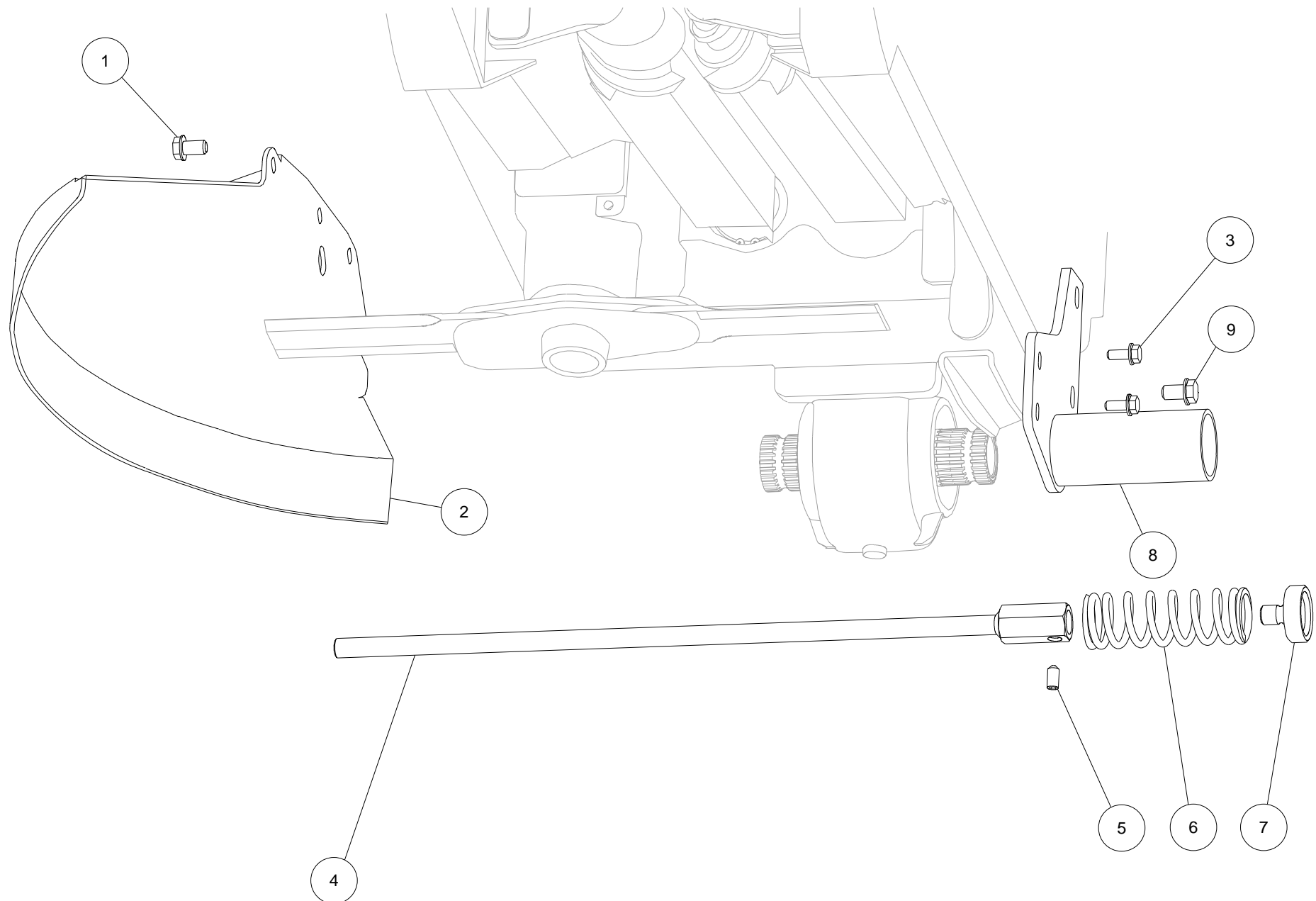
Pos	Code	Descrizione	Note	Description	Description	Beschreibung	Descripció
1	04.5065.00	VITE STEI		GRUB SCREW	GOUPILLE	NUT	TORNILLO
2	04.5046.00	ANELLO ELASTICO	E25X1.5	CIRCLIP	CIRCLIP	SICHERUNGSRING	ANILLO ELASTICO
3	04.5315.00	SPESSORE REGISTRABILE	35,3X25,6X0,3	SPACER WASHER	RONDELLE ECARTEMENT	DISTANZSCHEIBE	ARANDELLA DISTANCIADORA
3	04.5316.00	SPESSORE REGISTRABILE	35,3X25,6X0,4	SPACER WASHER	RONDELLE ECARTMENT	DISTANZSCHEIBE	ARANDELLA DISTANCIADORA
3	04.5317.00	SPESSORE REGISTRABILE	35,3X25,6X0,5	SPACER WASHER	RONDELLE ECARTEMENT	DISTANZSCHEIBE	ARANDELLA DISTANCIADORA
3	04.5318.00	SPESSORE REGISTRABILE	35,3X25,6X1	SPACER WASHER	RONDELLE ECARTEMENT	DISTANZSCHEIBE	ARANDELLA DISTANCIADORA
4	04.5059.00	SPINA	10X30	PIN	GOUPILLE	PIVOTE	NUT
5	04.5057.00	LEVA		LEVER	LEVIER	HEBEL	PALANCA
6	04.5058.00	O-RING		O-RING	O-RING	O-RING	O-RING
7	PMF-000147	VITE TE	M8X20	HEXAGONAL SCREW	VIS SIX PANS	SECHSKANTSCHRAUBE	TORNILLO
8	04.5061.01	LEVA		LEVER	LEVIER	HEBEL	PALANCA
9	04.5060.00	MANIGLIA		STRAP	MANILLE	HANDGRIFF	MANIJA
10	04.5055.00	MOLLA		COMPRESS SPRING	RESSORT	DRUCKFEDER	MUELLE
11	04.5053.00	INGRANAGGIO		GEAR	ROUE DENTEE	STINRAD	ENGRANAJE
12	PMF-000097	TAPPO	62X10	COVER	COUVERCLE	DECKEL	COPERTURA
13	PMF-000118	ANELLO ELASTICO	I 62X2	CIRCLIP	CIRCLIP	SICHERUNGSRING	ANILLO ELASTICO
14	04.5319.00	SPESSORE REGISTRABILE	55.3X61.7	SPACER WASHER	RONDELLE ECARTEMENT	DISTANZSCHEIBE	ARANDELLA DISTANCIADORA
14	04.5320.00	SPESSORE REGISTRABILE	55.3X61.7X0,4	SPACER WASHER	RONDELLE ECARTEMENT	DISTANZSCHEIBE	ARANDELLA DISTANCIADORA
14	04.5321.00	SPESSORE REGISTRABILE	55.3X61.7X0,5	SPACER WASHER	RONDELLE ECARTEMENT	DISTANZSCHEIBE	ARANDELLA DISTANCIADORA
14	04.5331.00	SPESSORE REGISTRABILE	55.3X61.7X0,8	SPACER WASHER	RONDELLE ECARTEMENT	DISTANZSCHEIBE	ARANDELLA DISTANCIADORA
15	PMS-000023	CUSCINETTO A SFERE		BALL BEARING	ROULEMENT A BILLES	KUGELLAGER	RODAMIENTO DE BOLAS
16	04.5327.00	ALBERO		SHAFT	ARBRE	WELLE	EJE
17	PMS-000099	CUSCINETTO A SFERE		BALL BEARING	ROULEMENT A BILLES	KUGELLAGER	RODAMIENTO DE BOLAS
18	PMF-000306	ANELLO ELASTICO	I 52X2	CIRCLIP	CIRCLIP	SICHERUNGSRING	ANILLO ELASTICO
19	04.5054.00	ALBERO		SHAFT	ARBRE	WELLE	EJE



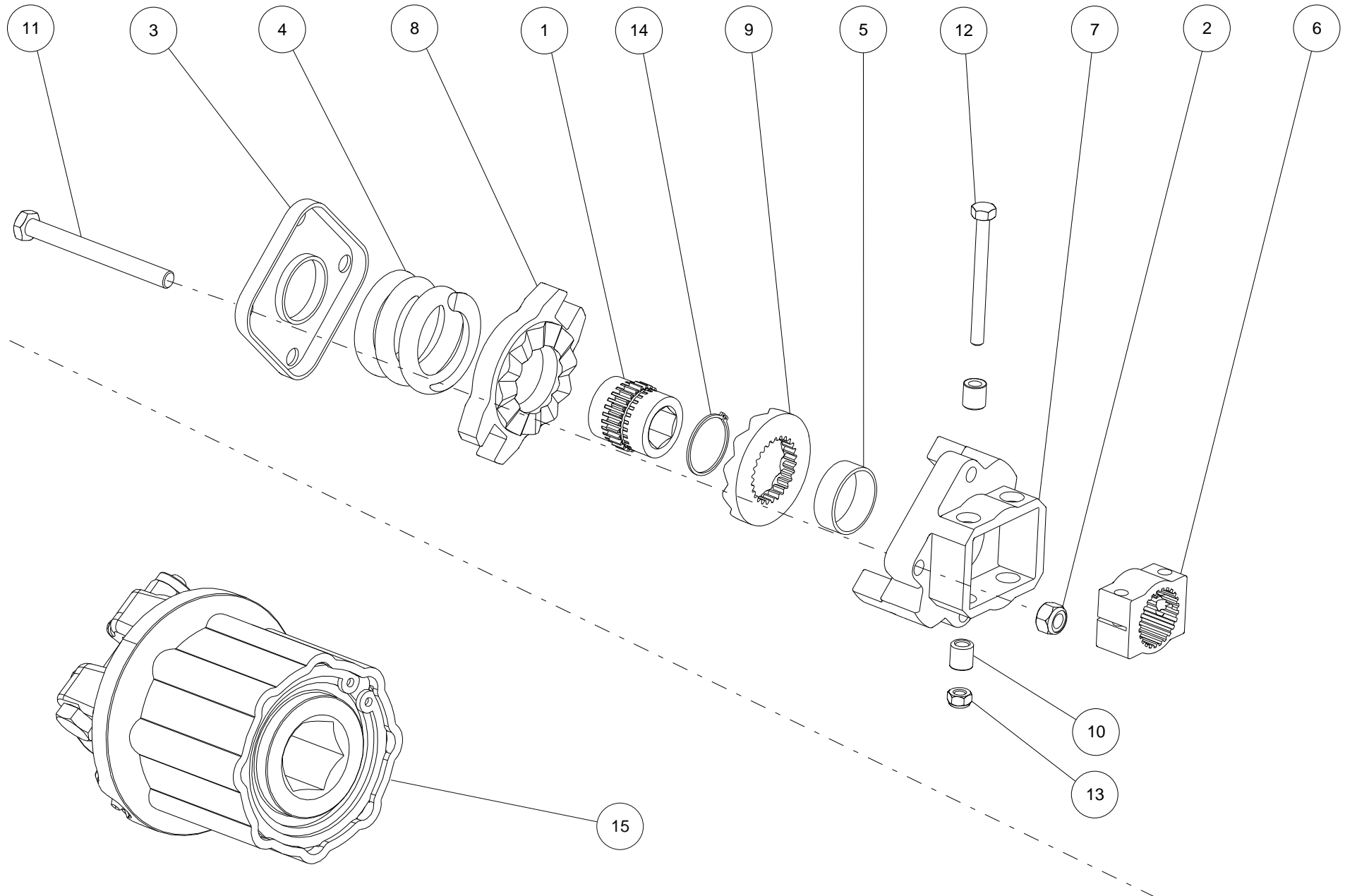
Pos	Code	Descrizione	Note	Description	Description	Beschreibung	Descripcìon
20	04.5050.00	ANELLO DI TENUTA	25X52X7	SEAL RING	BAGUE D'ETANCHEIT	BACKRING	ANILLO
21	04.5049.00	CUSCINETTO A SFERE		BALL BEARING	ROULEMENT A BILLES	KUGELLAGER	RODAMIENTO DE BOLAS
22	04.5316.00	SPESSORE REGISTRABILE		SPACER WASHER	RONDELLE ECARTMENT	DISTANZSCHEIBE	ARANDELLA DISTANCIADORA
23	PMF-000115	ANELLO DI TENUTA	30X62X7	SEAL RING	BAGUE D'ETANCHEIT	BACKRING	ANILLO
24	04.5328.00	INGRANAGGIO		GEAR	ROUE DENTEE	STINRAD	ENGRANAJE
25	M1-80143	PIGNONE CONICO		SPROCKET	PIGNON CONIQUE	KEGELRAD	PIÑÓN
26	PMS-000021	CUSCINETTO A SFERE		BALL BEARING	ROULEMENT A BILLES	KUGELLAGER	RODAMIENTO DE BOLAS
27	04.5302.00	SPESSORE REGISTRABILE	48X35.3X1,5	SPACER WASHER	RONDELLE ECARTEMENT	DISTANZSCHEIBE	ARANDELLA DISTANCIADORA
27	04.5303.00	SPESSORE REGISTRABILE	48X35.3X2,5	SPACER WASHER	RONDELLE ECARTEMENT	DISTANZSCHEIBE	ARANDELLA DISTANCIADORA
27	04.5332.00	SPESSORE REGISTRABILE	48X35.3X0,5	SPACER WASHER	RONDELLE ECARTEMENT	DISTANZSCHEIBE	ARANDELLA DISTANCIADORA
27	04.5333.00	SPESSORE REGISTRABILE	48X35.3X0,3	SPACER WASHER	RONDELLE ECARTEMENT	DISTANZSCHEIBE	ARANDELLA DISTANCIADORA
27	04.5334.00	SPESSORE REGISTRABILE	48X35.3X0,4	SPACER WASHER	RONDELLE ECARTEMENT	DISTANZSCHEIBE	ARANDELLA DISTANCIADORA
27	M1-80158	SPESSORE REGISTRABILE	48X35.3X1	SPACER WASHER	RONDELLE ECARTEMENT	DISTANZSCHEIBE	ARANDELLA DISTANCIADORA
28	04.5025.00	ALBERO		SHAFT	ARBRE	WELLE	EJE
29	04.5109.00	INGRANAGGIO		GEAR	ROUE DENTEE	STINRAD	ENGRANAJE
30	PMF-000048	ANELLO ELASTICO	E 45X1.75	CIRCLIP	CIRCLIP	SICHERUNGSRING	ANILLO ELASTICO
31	PMF-000114	ANELLO DI TENUTA	45X80X10	SEAL RING	BAGUE D'ETANCHEIT	BACKRING	ANILLO
32	04.5022.00	CUSCINETTO A SFERE		BALL BEARING	ROULEMENT A BILLES	KUGELLAGER	RODAMIENTO DE BOLAS
33	04.5092.00	RONDELLA		WASHER	RONDELLE	SCHEIBE	ARANDELLA
34	PMF-000121	ANELLO ELASTICO	I 80X2.5	CIRCLIP	CIRCLIP	SICHERUNGSRING	ANILLO ELASTICO



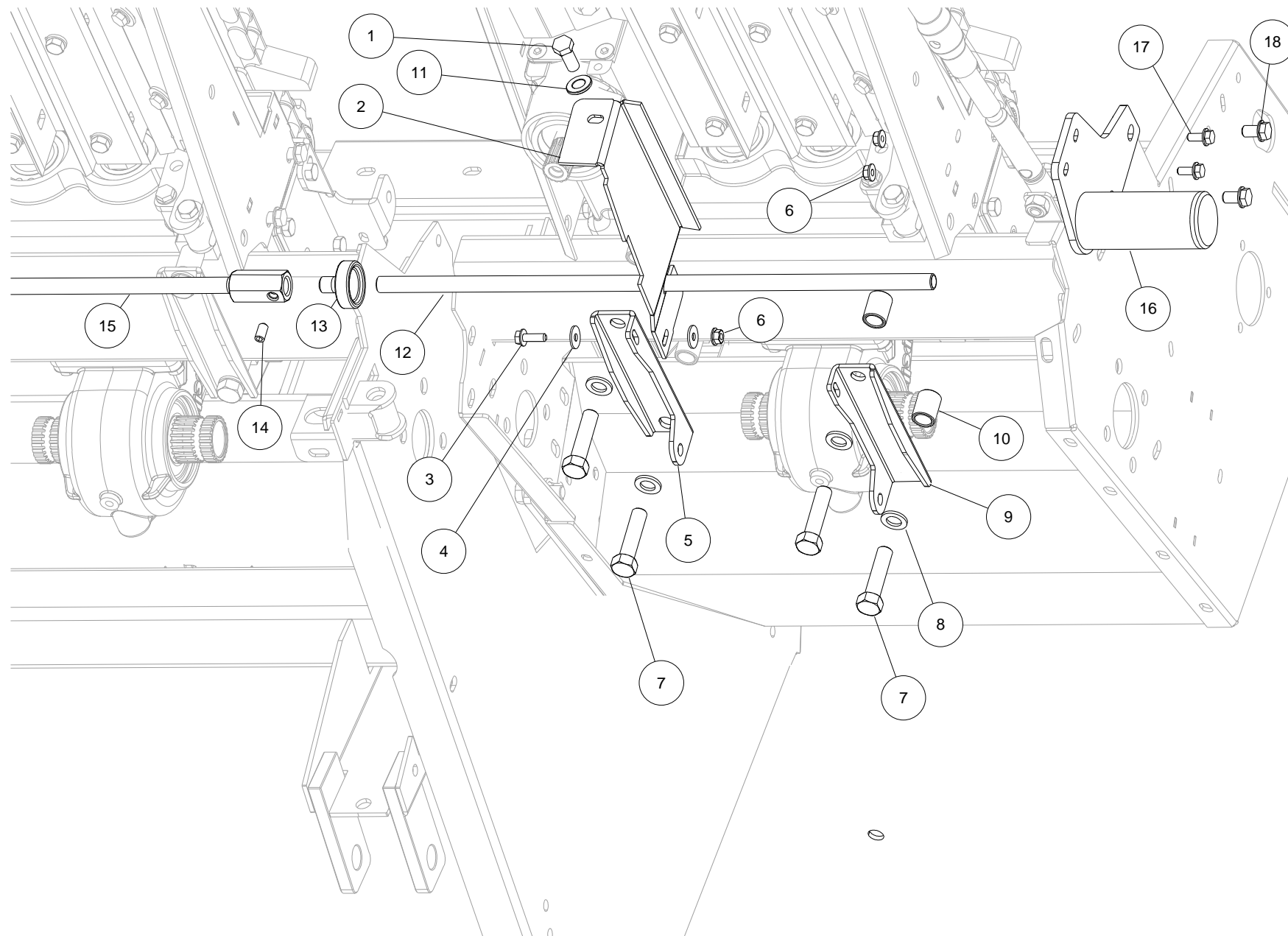
Pos	Code	Descrizione	Note	Description	Description	Beschreibung	Descripcìon
1	PMF-000370	VITE TE	M14X30	HEXAGONAL SCREW	VIS SIX PANS	SECHSKANTSCHRAUBE	TORNILLO
2	PMF-000024	DADO AUTOBLOCCANTE	M12	SECURING NUT	ECROU INDESSERRAB	SICHERUNGSMUTTER	CONTRATUERCA
3	M1-80217	ROTORE INFERIORE		LOWER CHOPPER	BROYEUR INFERIEUR	HINTERPFLUECKERHAECKSLER	PICADOR
4	03.2021.01	COLTELLO TRINCIASTOCCHI		KNIFE	COUTEAU	HACHSLERMESSER	CUCHILLO
5	M1-80126	RONDELLA		WASHER	RONDELLE	SCHEIBE	ARANDELLA
6	M1-80216	ROTORE SUPERIORE		UPPER CHOPPER	BROYEUR SUPERIEUR	HINTERPFLUECKERHAECKSLER	PICADOR
7	PMF-000369	VITE TE	M12X35	HEXAGONAL SCREW	VIS SIX PANS	SECHSKANTSCHRAUBE	TORNILLO
8	01.2931.00	ROTORE TRINCIASTOCCHI		STALK CHOPPER	BROYEUR SOUS COEILLEUR	HINTERPFLUECKERHAECKSLER	PICADOR DE ZUROS



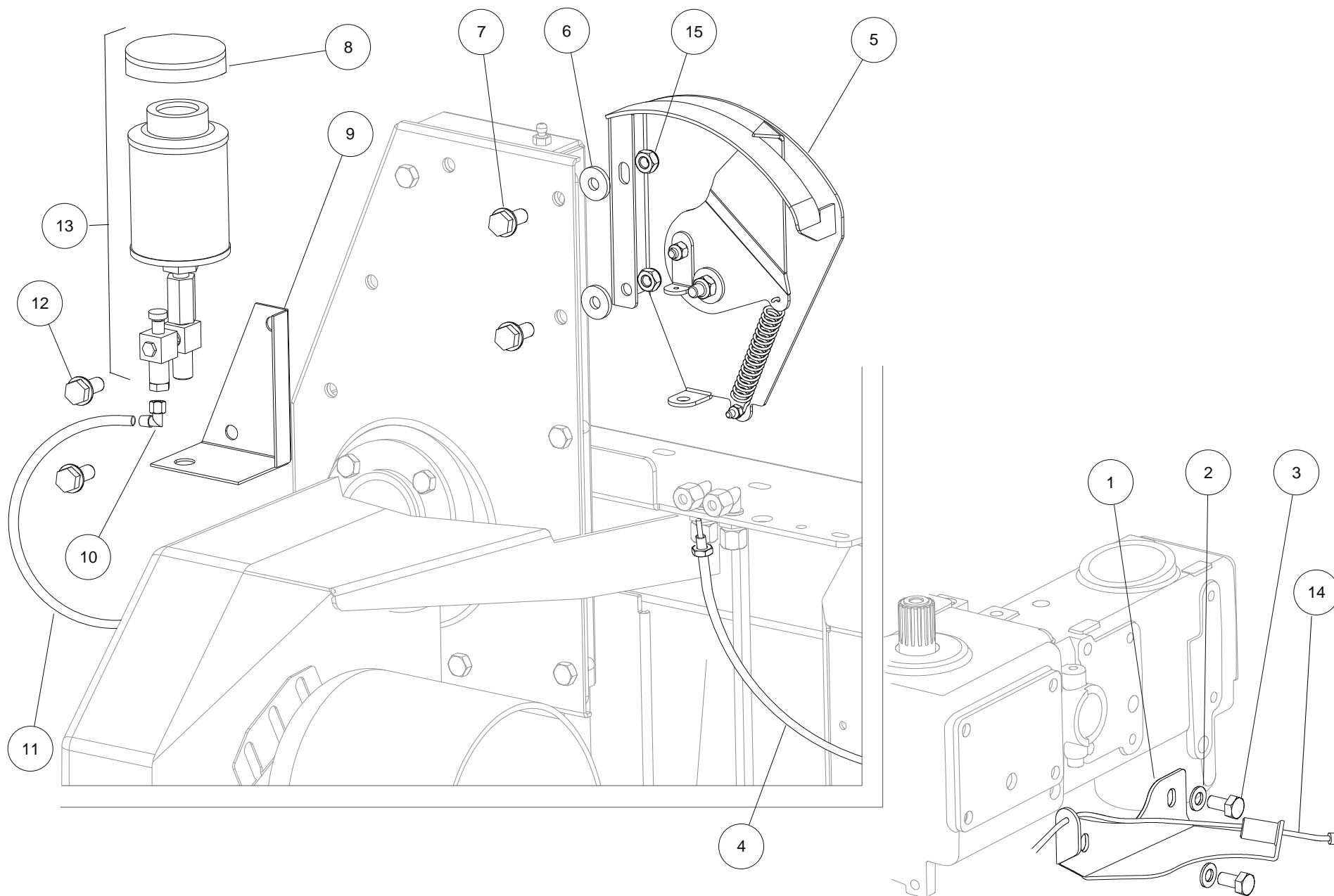
Pos	Code	Descrizione	Note	Description	Description	Beschreibung	Descripción
1	PMF-000045	VITE TENSILOCK	M12X20	SECURING SCREW TENSILOCK	VIS TENSILOCK	SCHRAUBE TENSILOCK	TORNILLO TENSILOCK
2	03.4123.02	PROTEZIONE TRINCIASTOCCHI		GUARD	GARANT	SCHUTZ	PROTECCION
3	PMF-000034	VITE TENSILOCK	M8X20	SECURING SCREW TENSILOCK	VIS TENSILOCK	SCHRAUBE TENSILOCK	TORNILLO TENSILOCK
4	01.0437.00	ASTA	L=600 mm	ROD	TIGE	SPINDEL	VARILLA
5	PMF-000028	VITE STEI	M10X20	GRUB SCREW	GOUPILLE	NUT	TORNILLO
6	03.2008.05	MOLLA		COMPRESS SPRING	RESSORT	DRUCKFEDER	MUELLE
7	01.0178.00	BOCCOLA		BUSHING	DOUILLE	BÜCHSE	HEVILLA
8	01.0180.01	PORTAMOLLA DESTRO		RIGHT BRACKET	SUPPORT DROITE	BUEGEL RECHTS	SOPORTE DERECHO
9	PMF-000053	VITE TENSILOCK	M12X25	SECURING SCREW TENSILOCK	VIS TENSILOCK	SCHRAUBE TENSILOCK	TORNILLO TENSILOCK



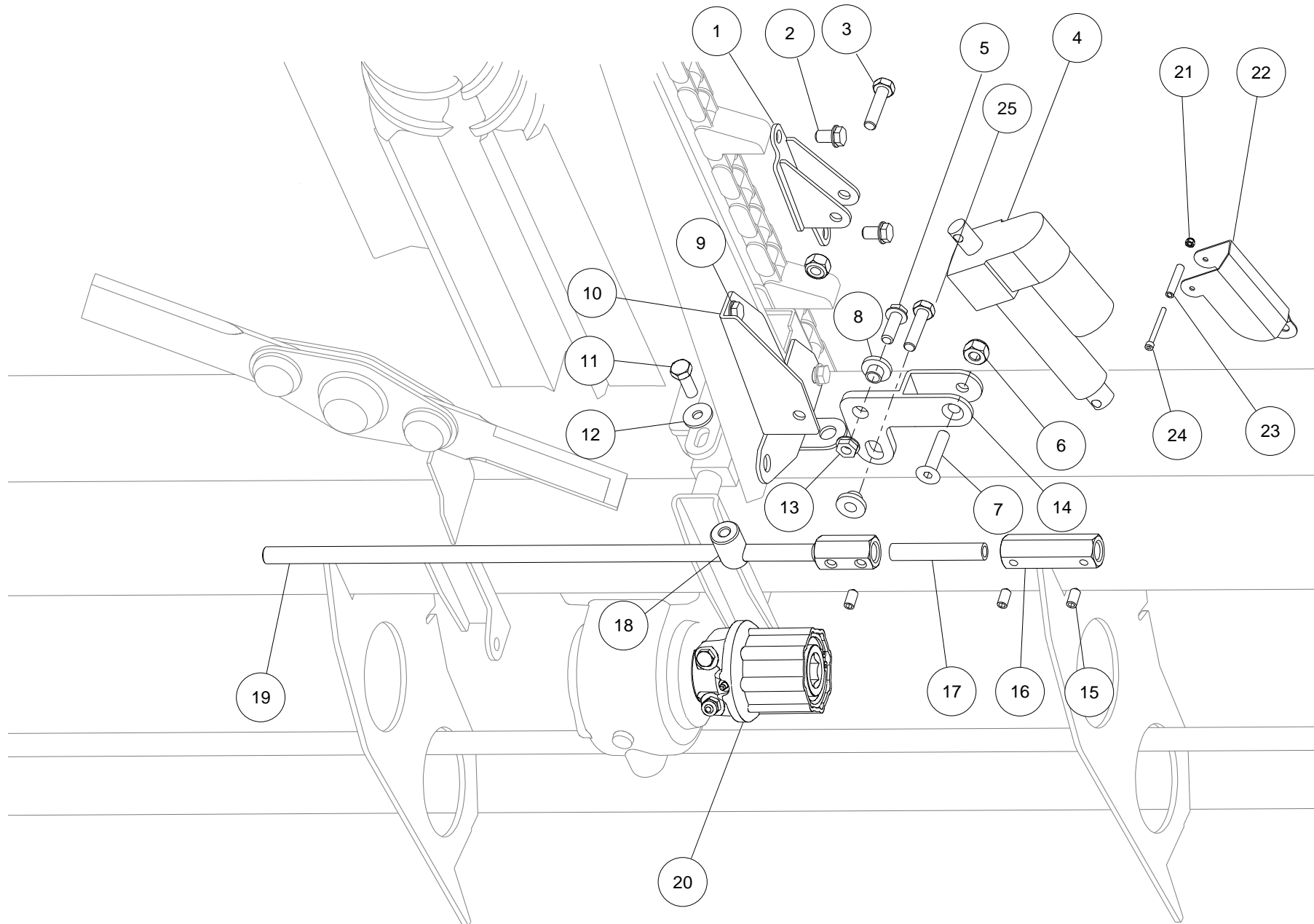
Pos	Code	Descrizione	Note	Description	Description	Beschreibung	Descripcìon
1	04.5114.01	BOCCOLA		BUSHING	DOUILLE	BÜCHSE	HEVILLA
2	PMF-000024	DADO AUTOBLOCCANTE	M12	SECURING NUT	ECROU INDESSERRAB	SICHERUNGSMUTTER	CONTRATUERCA
3	04.5136.01	PIASTRA		PLATE	PLAQUE	PLATTE	PLACA
4	04.5001.00	MOLLA		COMPRESS SPRING	RESSORT	DRUCKFEDER	MUELLE
5	04.5100.00	BOCCOLA		BUSHING	DOUILLE	BÜCHSE	HEVILLA
6	04.5111.00	ATTACCO FRIZIONE		CLAMPING PIECE	COSSE MACHOIRES	KUPPLUNG	EMBRAGUE
7	04.5137.01	FLANGIA LIMITATORE DI COPPIA		CLAMP FLANGE	BRIDE DE SERRAGE	KUPPLUNG	EMBRAGUE
8	04.5115.00	DISCO DENTATO		CLUTCH PLATE	DISQUE EMBRAYAGE	DECKSCHEIBE	EMBRAGUE
9	04.5116.00	DISCO DENTATO		CLUTCH PLATE	DISQUE EMBRAYAGE	DECKSCHEIBE	EMBRAGUE
10	04.5118.01	BOCCOLA		BUSHING	DOUILLE	BÜCHSE	HEVILLA
11	PMF-000476	VITE TE	M14X140	HEXAGONAL SCREW	VIS SIX PANS	SECHSKANTSCHRAUBE	TORNILLO
12	PMF-000185	VITE TE	M10X110	HEXAGONAL SCREW	VIS SIX PANS	SECHSKANTSCHRAUBE	TORNILLO
13	PMF-000068	DADO AUTOBLOCCANTE	M10	SECURING NUT	ECROU INDESSERRAB	SICHERUNGSMUTTER	CONTRATUERCA
14	PMF-000011	ANELLO ELASTICO	E 50X2	CIRCLIP	CIRCLIP	SICHERUNGSRING	ANILLO ELASTICO
15	03.4920.00	LIMITATORE		CLUTCH	EMBAYAGE	KUPPLUNG	EMBRAGUE



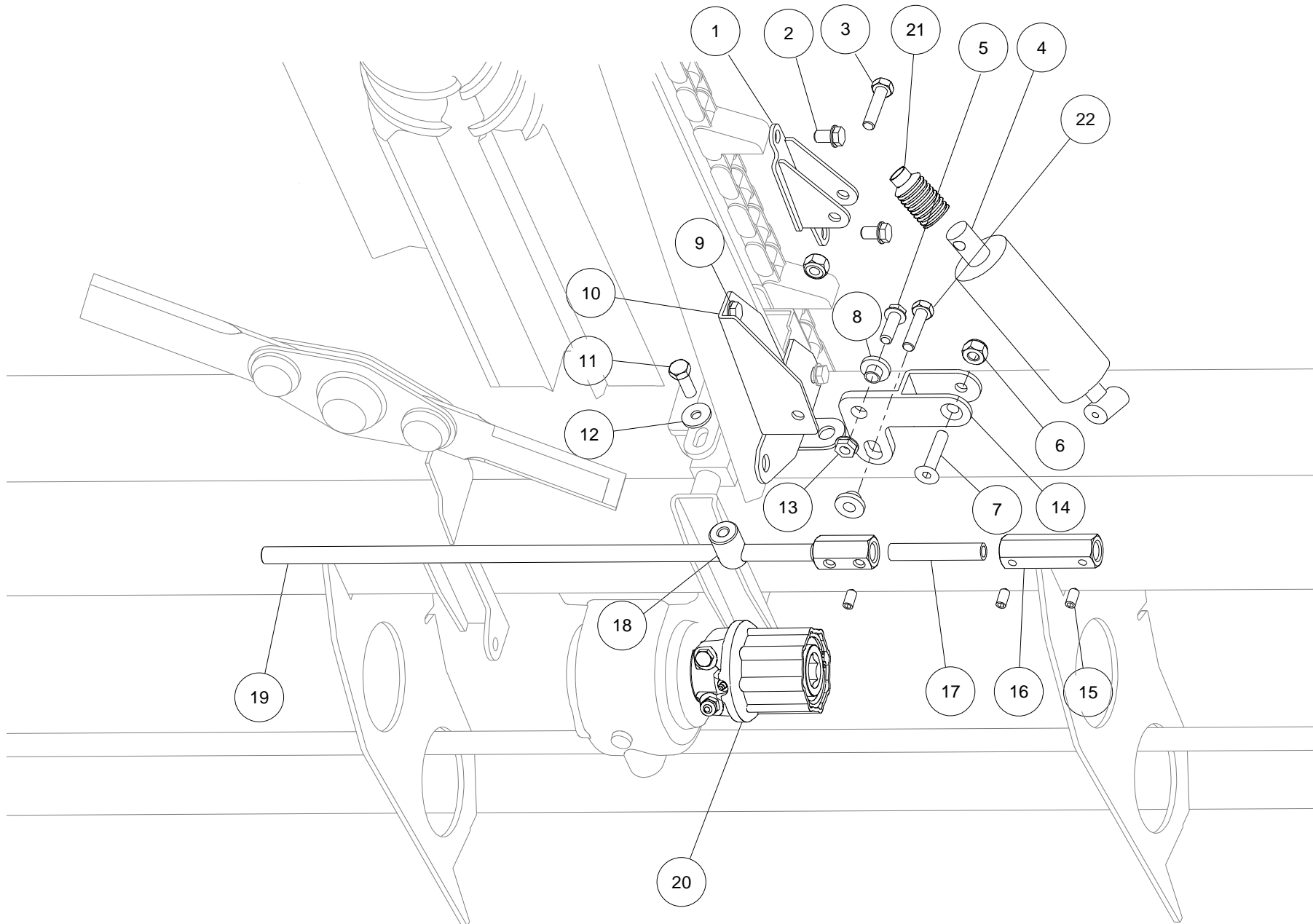
Pos	Code	Descrizione	Note	Description	Description	Beschreibung	Descripcìon
1	PMF-000186	VITE TE	M10X25	HEXAGONAL SCREW	VIS SIX PANS	SECHSKANTSCHRAUBE	TORNILLO
2	01.1277.01	RASAMENTO TRINCIASTOCCHI		STRIPPER KNIFE	LAME RACLEUSE	ABSTREIFMESSER	RASCADOR
3	PMF-000041	VITE TENSILOCK	M8X25	SECURING SCREW TENSILOCK	VIS TENSILOCK	SCHRAUBE TENSILOCK	TORNILLO TENSILOCK
4	PMF-000074	RONDELLA	8.4X24X2	WASHER	RONDELLE	SCHEIBE	ARANDELLA
5	01.1276.00	STAFFA DESTRA		RIGHT BRACKET	SUPPORT DROITE	BUEGEL RECHTS	SOPORTE DERECHO
6	PMF-000016	DADO TENSILOCK	M8	SECURING NUT TENSILOCK	ECROU TENSILOCK	SICHERUNGSMUTTER TENSILOCK	CONTRATUERCA TENSILOCK
7	PMF-000189	VITE TE	M16X65	HEXAGONAL SCREW	VIS SIX PANS	SECHSKANTSCHRAUBE	TORNILLO
8	PMF-000437	RONDELLA	17X30X3	WASHER	RONDELLE	SCHEIBE	ARANDELLA
9	01.1286.00	STAFFA SINISTRA		LEFT BRACKET	SUPPORT GAUCHE	BUEGEL LINKS	SOPORTE IZQUIERDO
10	01.0160.00	DISTANZIALE		SPACER	EPAISSEUR	DISTANZSCHEIBE	ESPACIADOR
11	PMF-000105	RONDELLA	10.5X20X2	WASHER	RONDELLE	SCHEIBE	ARANDELLA
12	01.0911.00	ASTA	L=700	ROD	TIGE	SPINDEL	VARILLA
13	01.0178.00	BOCCOLA		BUSHING	DOUILLE	BÜCHSE	HEVILLA
14	PMF-000028	VITE STEI	M10X20	GRUB SCREW	GOUPILLE	NUT	TORNILLO
15	01.2197.00	ASTA	L=760	ROD	TIGE	SPINDEL	VARILLA
16	01.1079.01	STAFFA SINISTRA	LEFT	LEFT BRACKET	SUPPORT GAUCHE	BUEGEL LINKS	SOPORTE IZQUIERDO
17	PMF-000034	VITE TENSILOCK	M8X20	SECURING SCREW TENSILOCK	VIS TENSILOCK	SCHRAUBE TENSILOCK	TORNILLO TENSILOCK
18	PMF-000053	VITE TENSILOCK	M12X25	SECURING SCREW TENSILOCK	VIS TENSILOCK	SCHRAUBE TENSILOCK	TORNILLO TENSILOCK



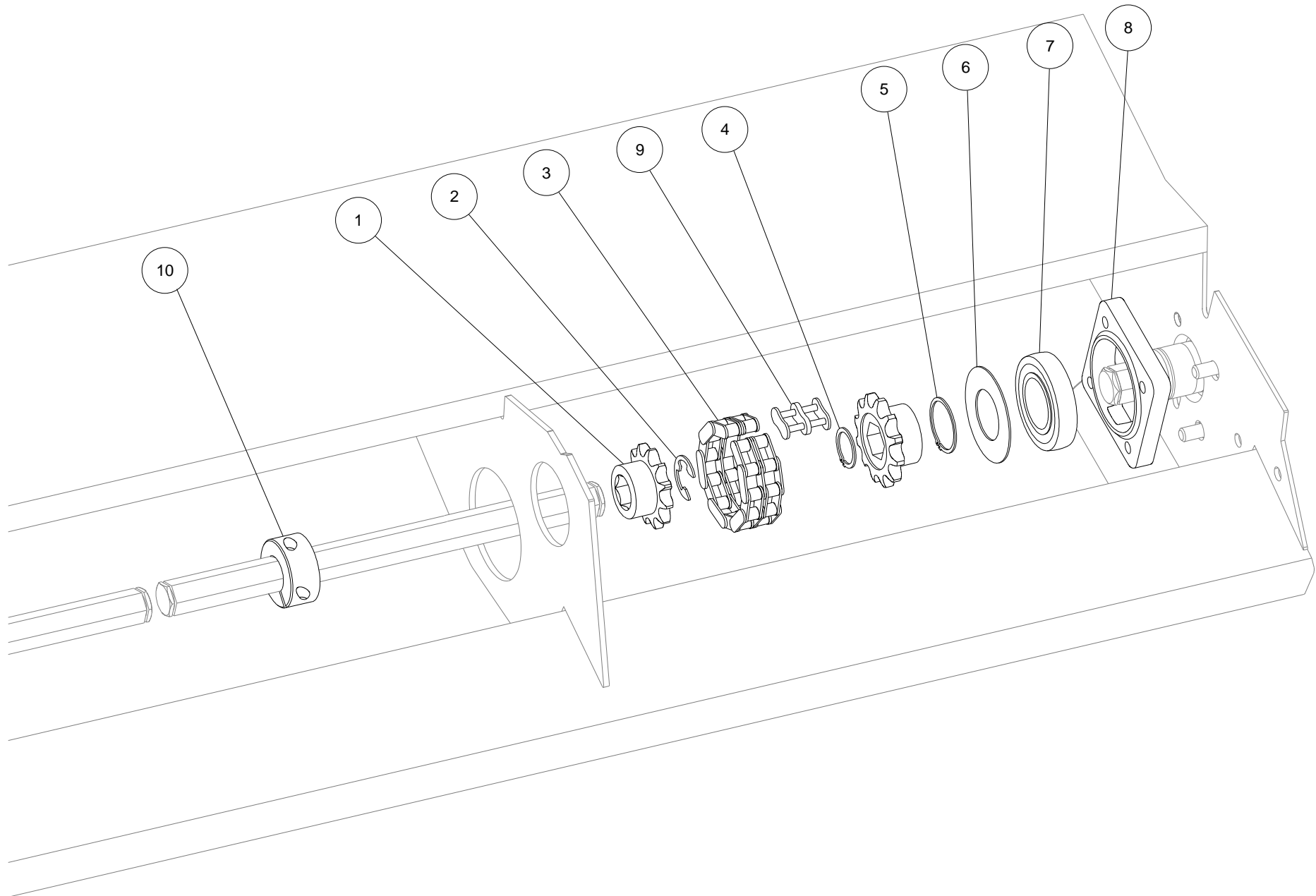
Pos	Code	Descrizione	Note	Description	Description	Beschreibung	Descripción
1	01.2257.00	STAFFA		BRACKET	SUPPORT	BUEGEL	SOPORTE
2	PMF-000105	RONDELLA	10.5X20X2	WASHER	RONDELLE	SCHEIBE	ARANDELLA
3	PMF-000134	VITE TE	M10X20	HEXAGONAL SCREW	VIS SIX PANS	SECHSKANTSCHRAUBE	TORNILLO
4	03.4978.00	CAVO CON GUAINA		CABLE BOWDEN	CABLE	SEILZUG	CABLE
5	03.4240.00	INDICATORE LEVERAGGIO PIATTI		INDICATEUR LEVIERS PLATS	DECK PLATES INDICATOR	VERSTELLBAR	INDICATOR
6	02.1053.00	RONDELLA	12X30X4	WASHER	RONDELLE	SCHEIBE	ARANDELLA
7	PMF-000043	VITE TENSILOCK	M10X30	SECURING SCREW TENSILOCK	VIS TENSILOCK	SCHRAUBE TENSILOCK	TORNILLO TENSILOCK
8	03.2083.00	TAPPO		COUVERTURE	COVER	DECKEL	COPERTURA
9	01.0258.00	SUPPORTO DESTRO		RIGHT SUPPORT	SUPPORT DROIT	BUGELHALTER RECHTS	SOPORTE DERECHO
9	01.0259.00	SUPPORTO SINISTRO		LEFT SUPPORT	SUPPORT GAUCHE	BUGELHALTER LINKS	SOPORTE IZQUIERDO
10	PO-000125	RACCORDO		CONNECTOR	RACCORD	ANSCHLUSSSTUTZEN	RACOR
11	PO-000227	TUBO	0,9 MT	TUBE	TUBE	ROHR	TUBO
12	PMF-000040	VITE TENSILOCK	M10X25	SECURING SCREW TENSILOCK	VIS TENSILOCK	SCHRAUBE TENSILOCK	TORNILLO TENSILOCK
13	03.4132.00	OLIATORE COMPLETO		BURETTE A HUILE	COMPLETE OLIER	OELKANNE	ACEITADOR COMPLETO
14	M1-90002	CAVO		CABLE	CABLE	KABEL	CABLE
15	PMF-000012	DADO TENSILOCK	M10	SECURING NUT TENSILOCK	ECROU TENSILOCK	SICHERUNGSMUTTER TENSILOCK	CONTRATUERCA TENSILOCK



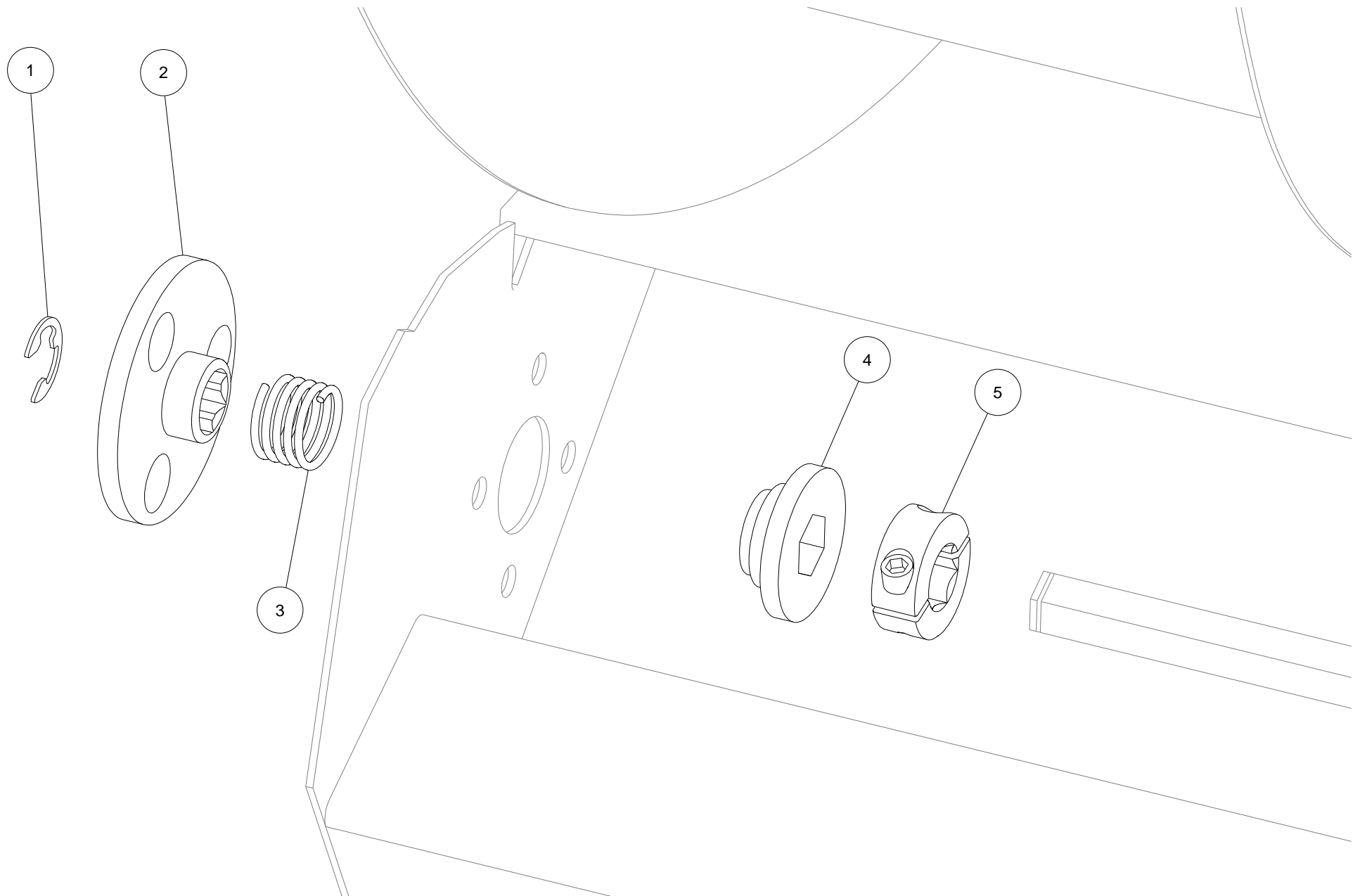
Pos	Code	Descrizione	Note	Description	Description	Beschreibung	Descripción
1	01.1190.00	STAFFA		BRACKET	SUPPORT	BUEGEL	SOPORTE
2	PMF-000134	VITE TE	M10X20	HEXAGONAL SCREW	VIS SIX PANS	SECHSKANTSCHRAUBE	TORNILLO
3	PMF-000037	VITE TE	M12X50	HEXAGONAL SCREW	VIS SIX PANS	SECHSKANTSCHRAUBE	TORNILLO
4	PMT-000058	ATTUATORE ELETTRICO		LINEAR ACTUATOR	VERIN ELECTRIQUE	ELEKTRIK ZYLINDER	CILINDRO ELECTRICO
5	PMF-000369	VITE TE	M12X35	HEXAGONAL SCREW	VIS SIX PANS	SECHSKANTSCHRAUBE	TORNILLO
6	PMF-000024	DADO AUTOBLOCCANTE	M12	SECURING NUT	ECROU INDESSERRAB	SICHERUNGSMUTTER	CONTRATUERCA
7	PMF-000312	VITE TSEI	M12X60	COUNTERSUNK SCREW	VIS A TETE FRAISEE	SENKSCHAUBE	TORNILLO
8	01.1195.00	BOCCOLA		BUSHING	DOUILLE	BÜCHSE	HEVILLA
9	PMF-000045	VITE TENSILOCK	M12X20	SECURING SCREW TENSILOCK	VIS TENSILOCK	SCHRAUBE TENSILOCK	TORNILLO TENSILOCK
10	01.1250.00	STAFFA		BRACKET	SUPPORT	BUEGEL	SOPORTE
11	PMF-000373	VITE TE	M12X37	HEXAGONAL SCREW	VIS SIX PANS	SECHSKANTSCHRAUBE	TORNILLO
12	M1-80124	RONDELLA	12X30X3	WASHER	RONDELLE	SCHEIBE	ARANDELLA
13	PMF-000060	DADO TENSILOCK	M12	SECURING NUT TENSILOCK	ECROU TENSILOCK	SICHERUNGSMUTTER TENSILOCK	CONTRATUERCA TENSILOCK
14	01.0842.00	CERNIERA		HINGE	CHARNIERE	SCHARNIER	BISAGRA
15	PMF-000028	VITE STEI	M10X20	GRUB SCREW	GOUPILLE	NUT	TORNILLO
16	M1-30222	BLOCCETTO ESAGONALE		HEXAGONAL CONNECTION	RACCORD SIX PANS	VERBINDER	RACORDO
17	01.0865.00	ASTA	L=100 mm	ROD	TIGE	SPINDEL	VARILLA
18	M1-80135	BLOCCO TRASLAZIONE PIATTI		SLEEVE	MANCHON	VERBINDER	CASQUILLO
19	01.1118.00	ASTA		ROD	TIGE	SPINDEL	VARILLA
20	03.4920.00	LIMITATORE		CLUTCH	EMBAYAGE	KUPPLUNG	EMBRAGUE
21	PMF-000015	DADO AUTOBLOCCANTE	M6	SECURING NUT	ECROU INDESSERRAB	SICHERUNGSMUTTER	CONTRATUERCA
22	01.1370.00	PROTEZIONE		PROTECTION	PROTECTION	SCHUTZ	PROTECCION
23	01.1380.00	DISTANZIALE		SPACER	EPAISSEUR	DISTANZSCHEIBE	ESPACIADOR
24	PMF-000337	VITE TCEI		SOCKET HEAD SCREW	VIS CYLINDRIQUE	ZYLINDERSCHRAUBE	TORNILLO
25	02.2156.00	VITE TE	M12X70	HEXAGONAL SCREW	VIS SIX PANS	SECHSKANTSCHRAUBE	TORNILLO



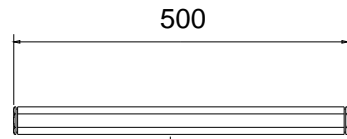
Pos	Code	Descrizione	Note	Description	Description	Beschreibung	Descripció
1	01.1190.00	STAFFA		BRACKET	SUPPORT	BUEGEL	SOPORTE
2	PMF-000134	VITE TE	M10X20	HEXAGONAL SCREW	VIS SIX PANS	SECHSKANTSCHRAUBE	TORNILLO
3	PMF-000037	VITE TE	M12X50	HEXAGONAL SCREW	VIS SIX PANS	SECHSKANTSCHRAUBE	TORNILLO
4	M3-70005	CILINDRO IDRAULICO		HYDRAULIC CYLINDER	VERIN HYDRAULIQUE	HYDRAULIKZYLINDER	CILINDRO HIDRAULICO
5	PMF-000369	VITE TE	M12X35	HEXAGONAL SCREW	VIS SIX PANS	SECHSKANTSCHRAUBE	TORNILLO
6	PMF-000024	DADO AUTOBLOCCANTE	M12	SECURING NUT	ECROU INDESSERRAB	SICHERUNGSMUTTER	CONTRATUERCA
7	PMF-000312	VITE TSEI	M12X60	COUNTERSUNK SCREW	VIS A TETE FRAISEE	SENKSCHRAUBE	TORNILLO
8	01.1195.00	BOCCOLA		BUSHING	DOUILLE	BÜCHSE	HEVILLA
9	PMF-000045	VITE TENSILOCK	M12X20	SECURING SCREW TENSILOCK	VIS TENSILOCK	SCHRAUBE TENSILOCK	TORNILLO TENSILOCK
10	01.1250.00	STAFFA		BRACKET	SUPPORT	BUEGEL	SOPORTE
11	PMF-000373	VITE TE	M12X37	HEXAGONAL SCREW	VIS SIX PANS	SECHSKANTSCHRAUBE	TORNILLO
12	M1-80124	RONDELLA	12X30X3	WASHER	RONDELLE	SCHEIBE	ARANDELLA
13	PMF-000060	DADO TENSILOCK	M12	SECURING NUT TENSILOCK	ECROU TENSILOCK	SICHERUNGSMUTTER TENSILOCK	CONTRATUERCA TENSILOCK
14	01.0842.00	CERNIERA		HINGE	CHARNIERE	SCHARNIER	BISAGRA
15	PMF-000028	VITE STEI	M10X20	GRUB SCREW	GOUPILLE	NUT	TORNILLO
16	M1-30222	BLOCCHETTO ESAGONALE		HEXAGONAL CONNECTION	RACCORD SIX PANS	VERBINDER	RACORDO
17	01.0865.00	ASTA	L=100 mm	ROD	TIGE	SPINDEL	VARILLA
18	M1-80135	BLOCCO TRASLAZIONE PIATTI		SLEEVE	MANCHON	VERBINDER	CASQUILLO
19	01.1118.00	ASTA		ROD	TIGE	SPINDEL	VARILLA
20	03.4920.00	LIMITATORE		CLUTCH	EMBAYAGE	KUPPLUNG	EMBRAGUE
21	03.4035.01	PROTEZIONE		PROTECTION	PROTECTION	SCHUTZ	PROTECCION
22	02.2156.00	VITE TE	M12X70	HEXAGONAL SCREW	VIS SIX PANS	SECHSKANTSCHRAUBE	TORNILLO



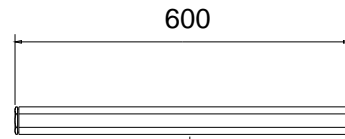
Pos	Code	Descrizione	Note	Description	Description	Beschreibung	Descripcìon
1	01.0510.01	INGRANAGGIO	Z12 ASA 60	GEAR	ROUE DENTEE	STINRAD	ENGRANAJE
2	PMF-000058	ANELLO DI ARRESTO RADIALE	M12X25	LOCK WASHER	BAGUE	SICHERUNGSSCHEIBE	ANILLO
3	M1-30165	CATENA	ASA 60	CHAIN	CHAINE	KETTE	CADENA
4	PMF-000119	ANELLO ELASTICO	E 30X1.5	CIRCLIP	CIRCLIP	SICHERUNGSRING	ANILLO ELASTICO
5	PMF-000048	ANELLO ELASTICO	E 45X1.75	CIRCLIP	CIRCLIP	SICHERUNGSRING	ANILLO ELASTICO
6	02.2103.01	DISCO DI PROTEZIONE		DISC GUARD	DISQUE DE PROTECTION	DECKSCHEIBE	DISCO DE PROTECCION
7	PMS-000007	CUSCINETTO A SFERE		BALL BEARING	ROULEMENT A BILLES	KUGELLAGER	RODAMIENTO DE BOLAS
8	M1-30230	SUPPORTO CUSCINETTO		SUPPORT BEARING	SUPPORT ROULEMENT	BUGELHALTER PENDELKUGELLAGEI	SOPORTE COJINETTE
9	PMT-000028	MAGLIA DI GIUNZIONE	ASA 60	LOCKING LINK	MAILLON DE RACCORD	VERSCHLUSSGLIED	ESLABON DE CADENA
10	01.0161.02	BLOCCHETTO FERMA ESAGONO		ADJUSTING RING	BAGUE D'ARRET	STELLRING	PARO



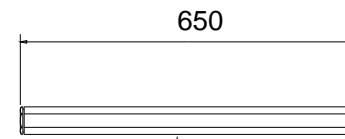
Pos	Code	Descrizione	Note	Description	Description	Beschreibung	Descripcìon
1	PMF-000058	ANELLO DI ARRESTO RADIALE	M12X25	LOCK WASHER	BAGUE	SICHERUNGSSCHEIBE	ANILLO
2	01.0847.00	INNESTO		AUGER CLUTCH	BRANCHE	KUPPLUNG	EMBRAGUE
3	03.4062.00	MOLLA		COMPRESS SPRING	RESSORT	DRUCKFEDER	MUELLE
4	03.4090.00	SPINGIMOLLA		TRUST WASHER	DISQUE PRESSION	DRUCHSCHEIBE	EMPUJADOR
5	01.0161.02	BLOCCHETTO FERMA ESAGONO		ADJUSTING RING	BAGUE D'ARRET	STELLRING	PARO



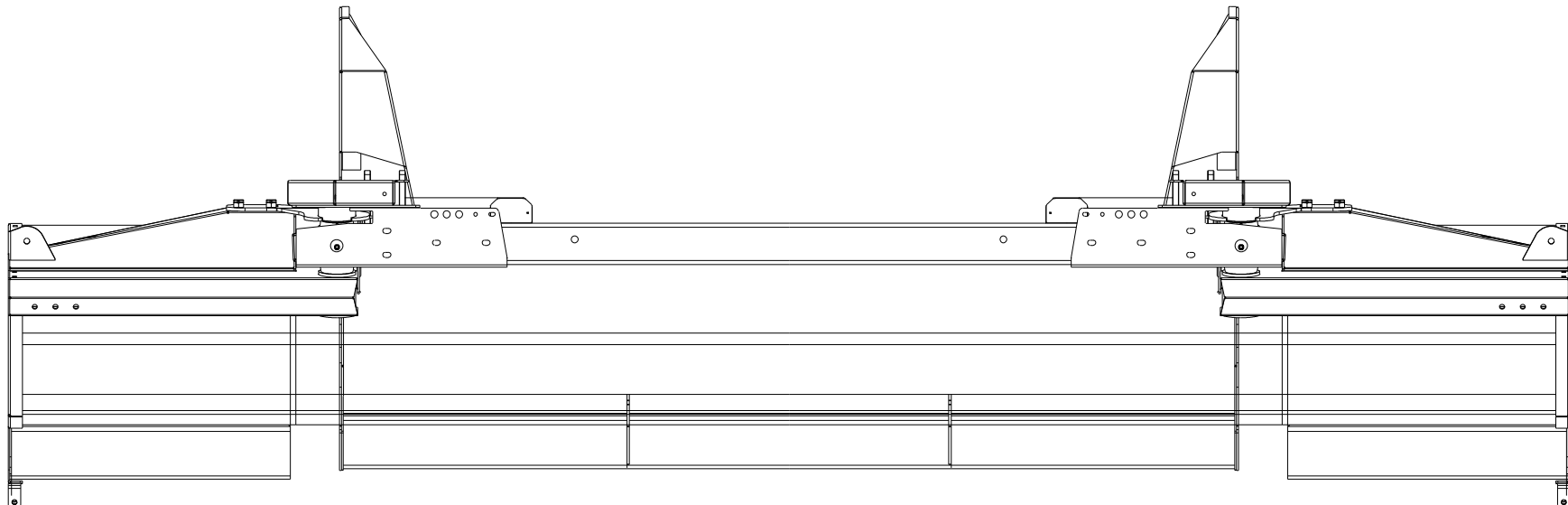
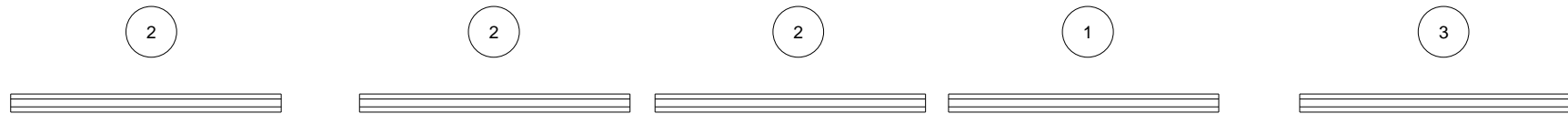
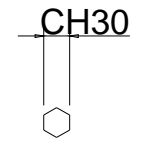
1



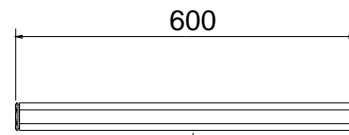
2



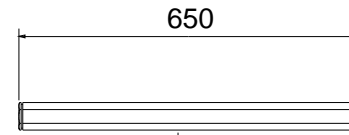
3



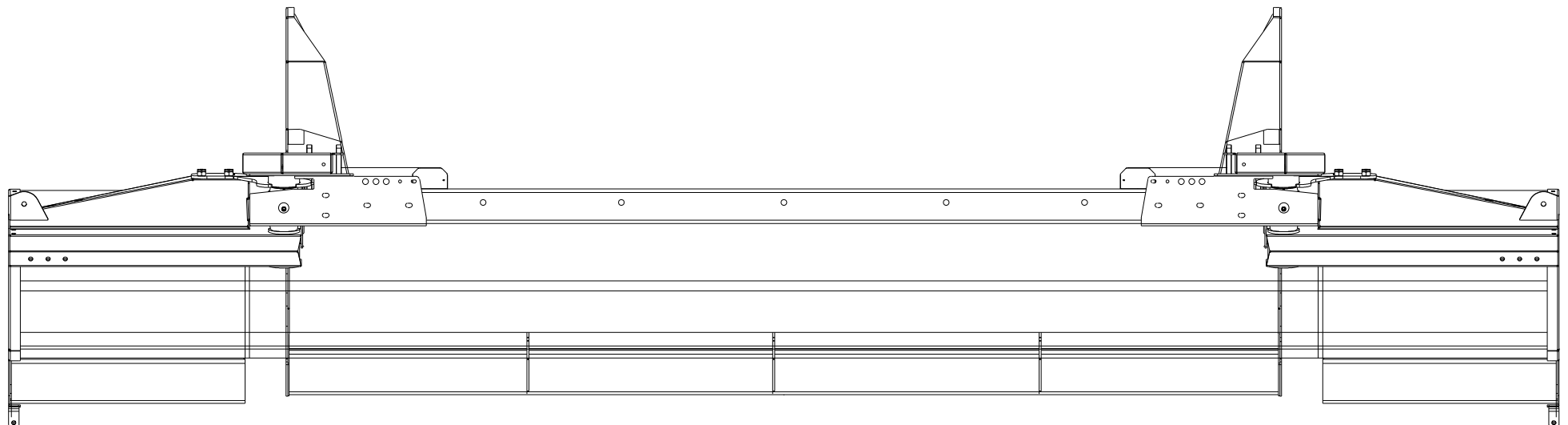
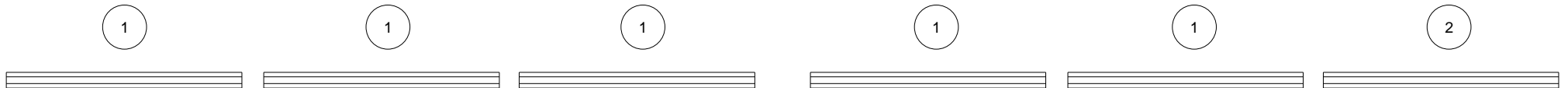
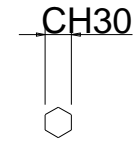
Pos	Code	Descrizione	Note	Description	Description	Beschreibung	Descripcìon
1	01.1749.00	ALBERO ESAGONALE		HEXAGONAL SHAFT	ARBRE SIX PANS	WELLE	EJE HEXAGONAL
2	01.1752.00	ALBERO ESAGONALE		HEXAGONAL SHAFT	ARBRE SIX PANS	WELLE	EJE HEXAGONAL
3	01.1747.00	ALBERO ESAGONALE		HEXAGONAL SHAFT	ARBRE SIX PANS	WELLE	EJE HEXAGONAL



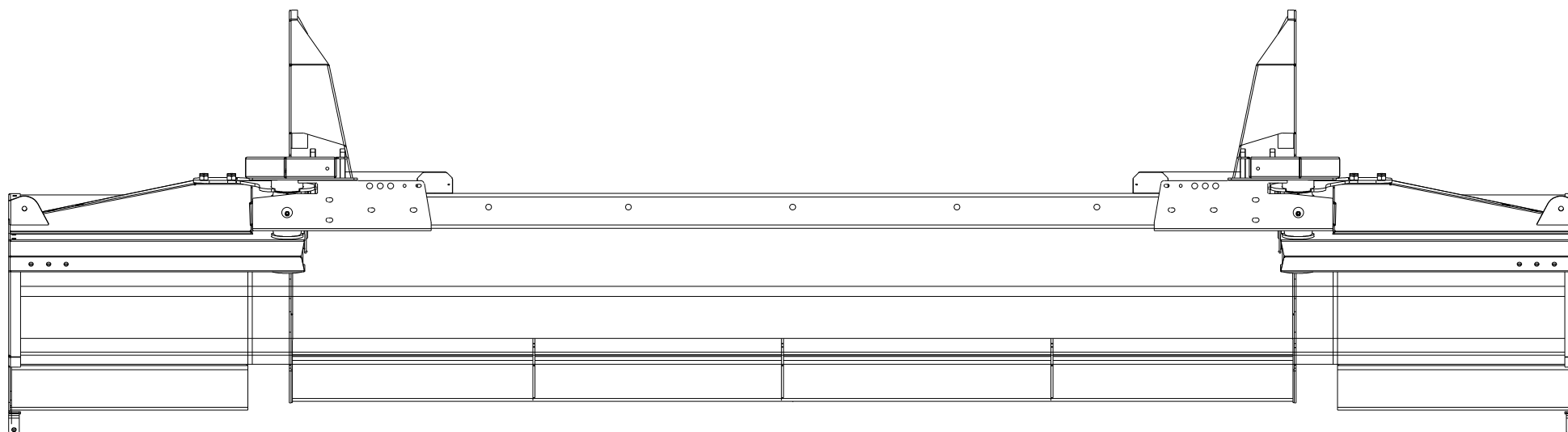
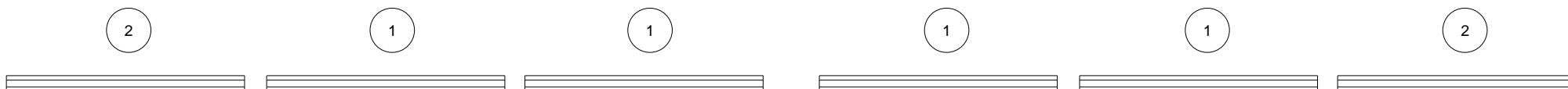
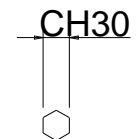
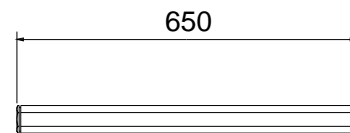
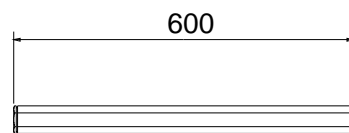
1



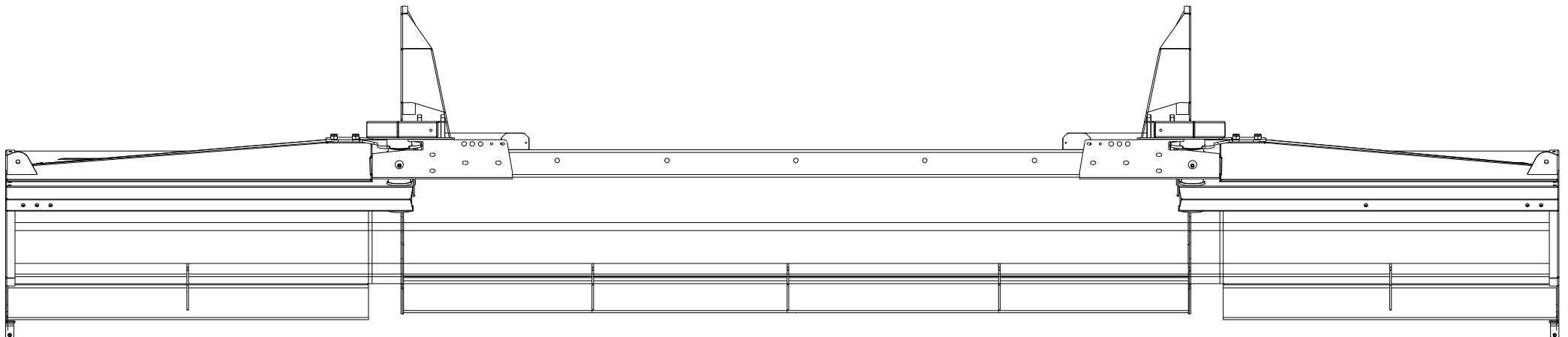
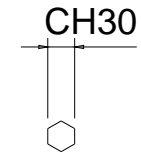
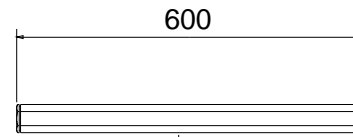
2



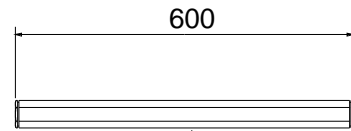
Pos	Code	Descrizione	Note	Description	Description	Beschreibung	Descripcìon
1	01.1752.00	ALBERO ESAGONALE		HEXAGONAL SHAFT	ARBRE SIX PANS	WELLE	EJE HEXAGONAL
2	01.1747.00	ALBERO ESAGONALE		HEXAGONAL SHAFT	ARBRE SIX PANS	WELLE	EJE HEXAGONAL



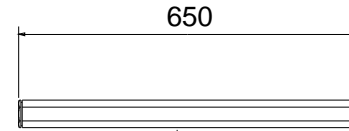
Pos	Code	Descrizione	Note	Description	Description	Beschreibung	Descripcìon
1	01.1752.00	ALBERO ESAGONALE		HEXAGONAL SHAFT	ARBRE SIX PANS	WELLE	EJE HEXAGONAL
2	01.1747.00	ALBERO ESAGONALE		HEXAGONAL SHAFT	ARBRE SIX PANS	WELLE	EJE HEXAGONAL



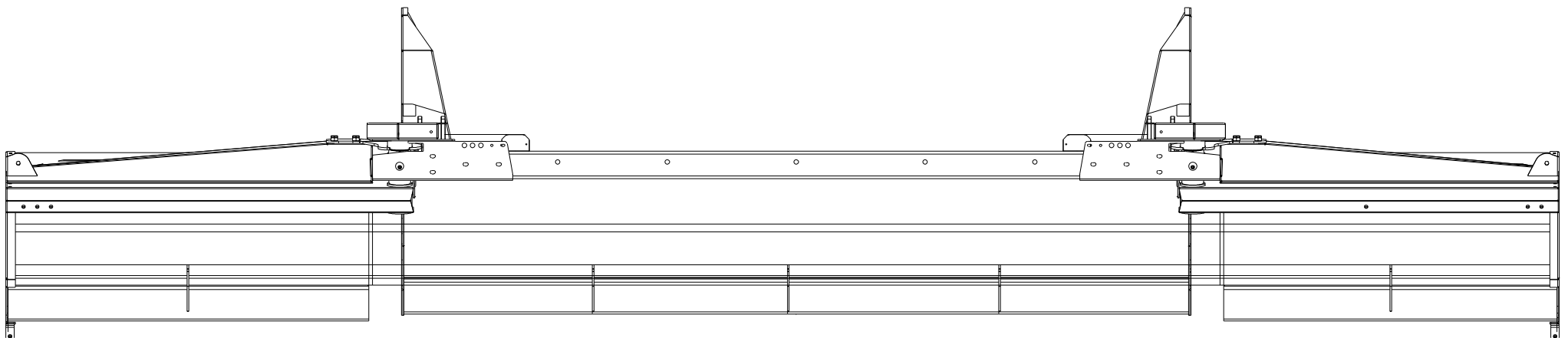
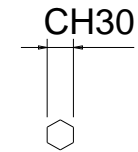
Pos	Code	Descrizione	Note	Description	Description	Beschreibung	Descripcìon
1	01.1752.00	ALBERO ESAGONALE		HEXAGONAL SHAFT	ARBRE SIX PANS	WELLE	EJE HEXAGONAL



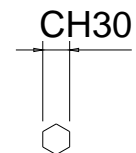
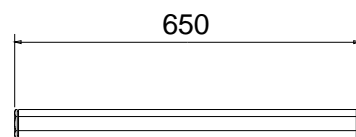
1



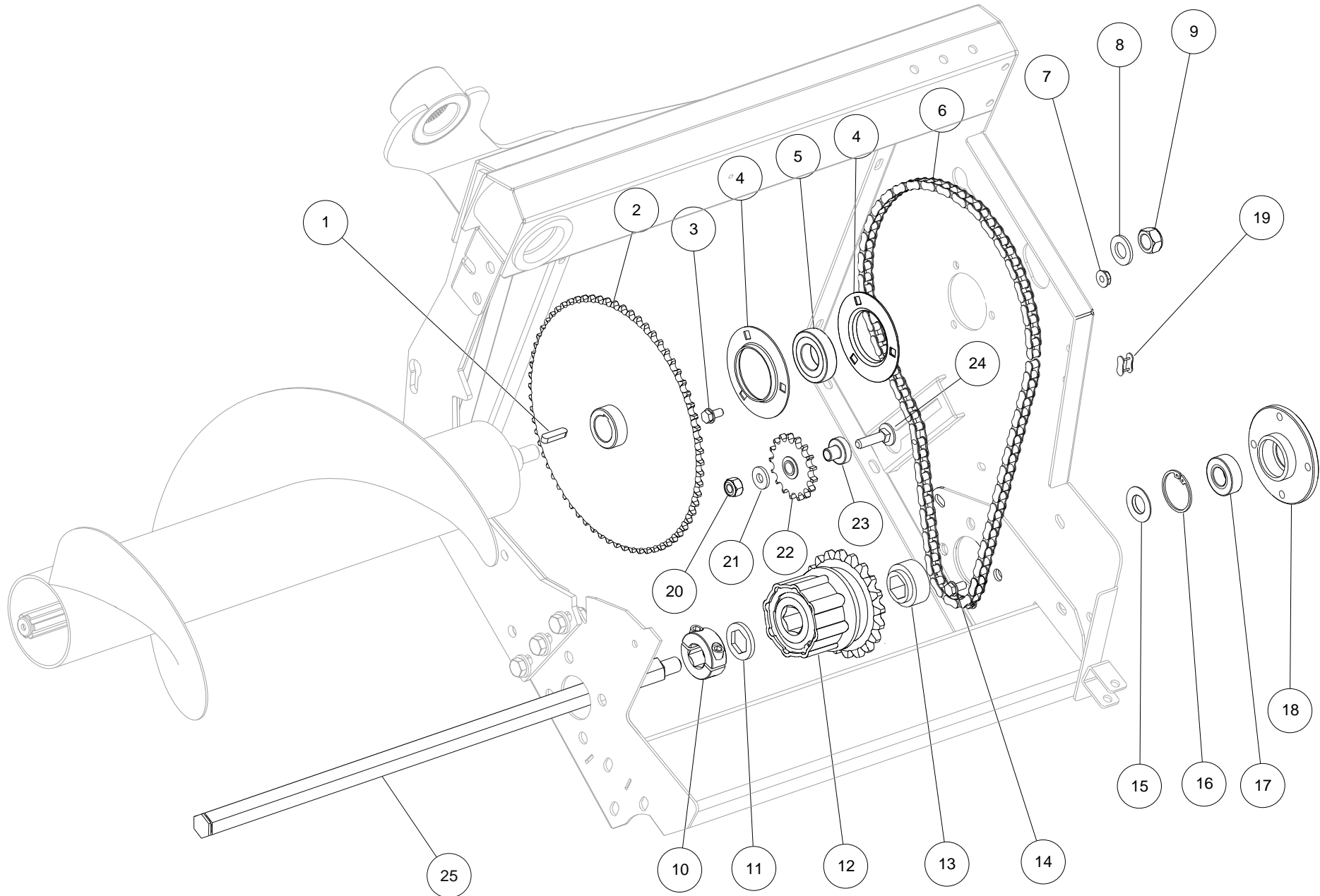
2



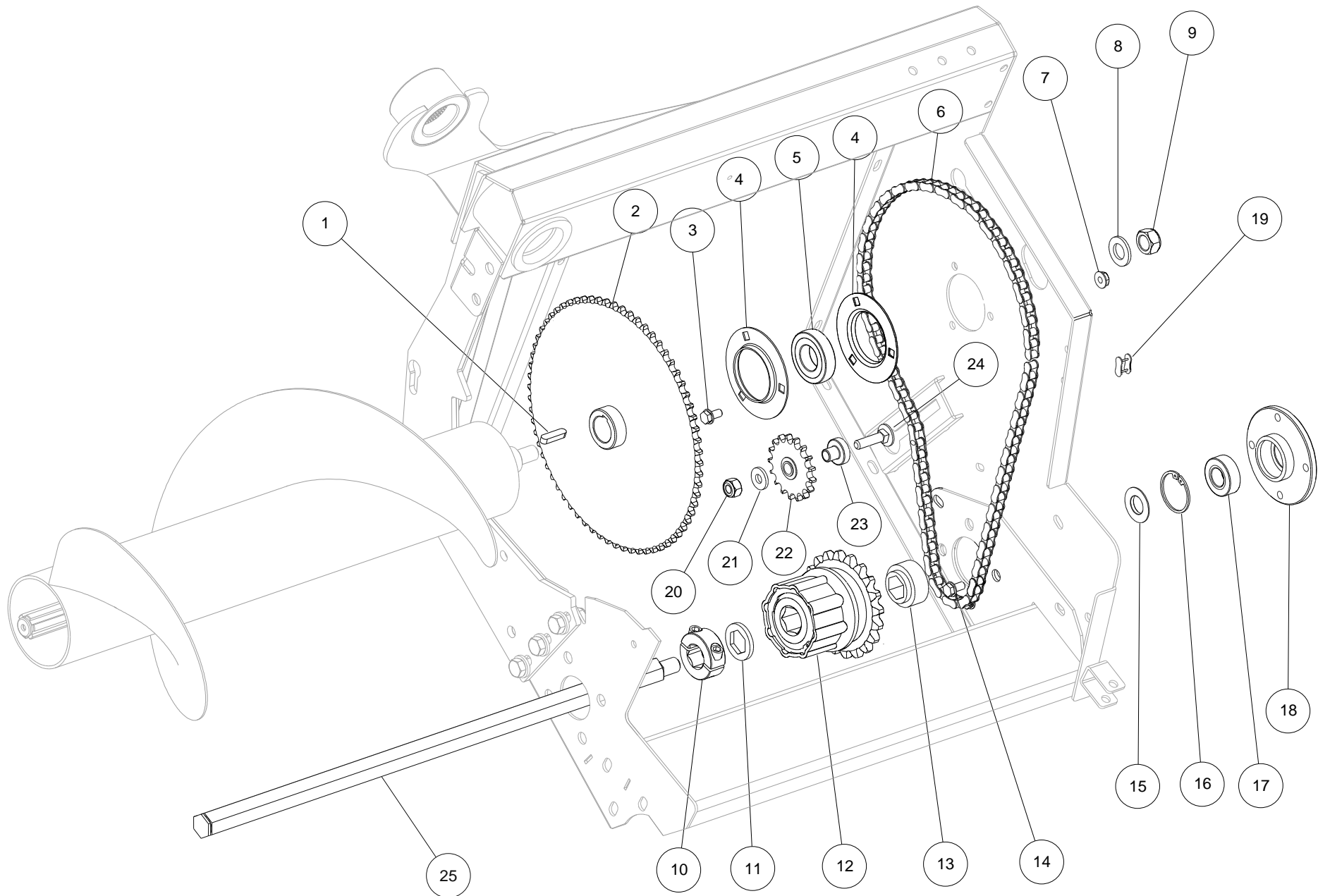
Pos	Code	Descrizione	Note	Description	Description	Beschreibung	Descripcìon
1	01.1752.00	ALBERO ESAGONALE		HEXAGONAL SHAFT	ARBRE SIX PANS	WELLE	EJE HEXAGONAL
2	01.1747.00	ALBERO ESAGONALE		HEXAGONAL SHAFT	ARBRE SIX PANS	WELLE	EJE HEXAGONAL



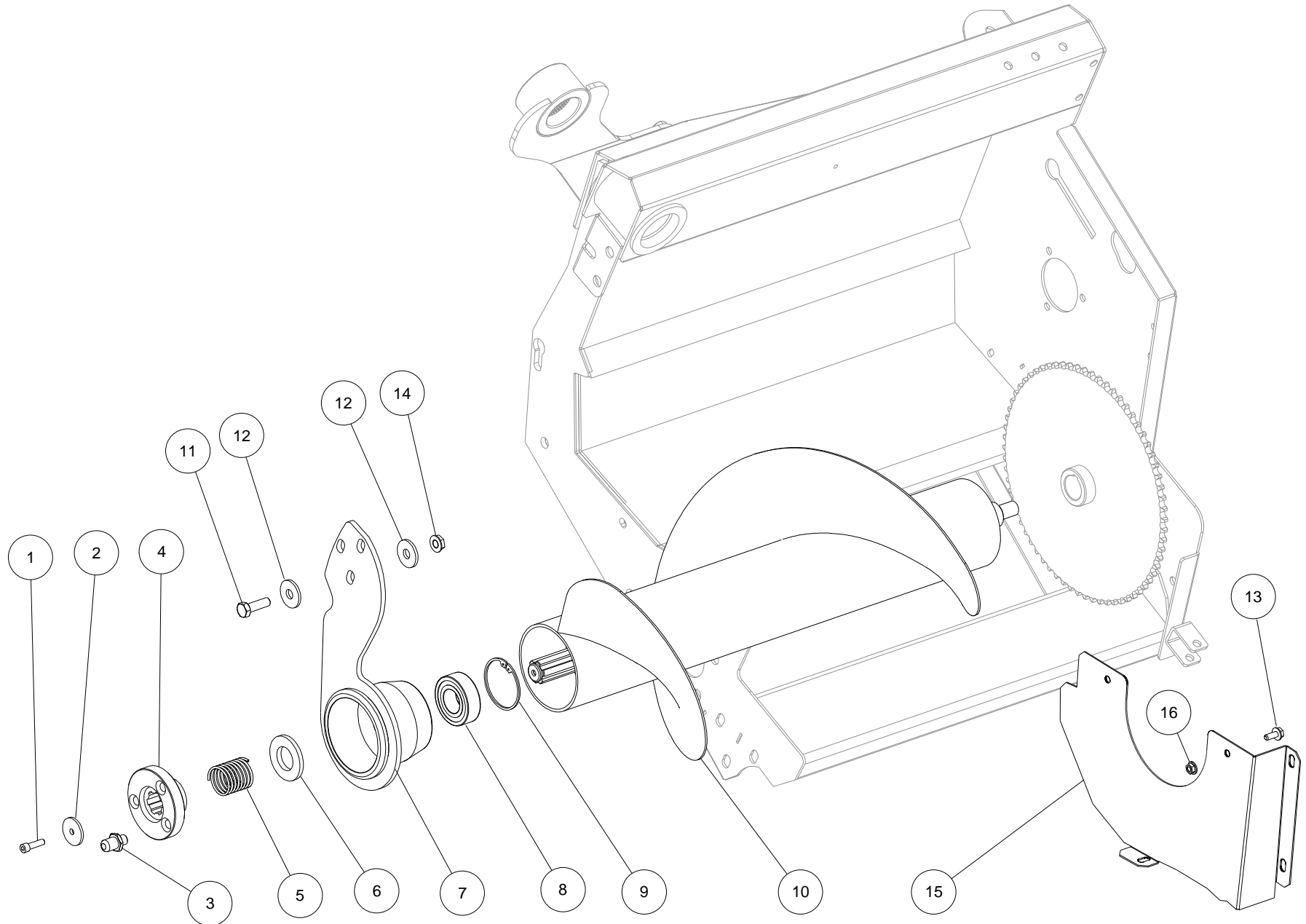
Pos	Code	Descrizione	Note	Description	Description	Beschreibung	Descripcìon
1	01.1747.00	ALBERO ESAGONALE		HEXAGONAL SHAFT	ARBRE SIX PANS	WELLE	EJE HEXAGONAL



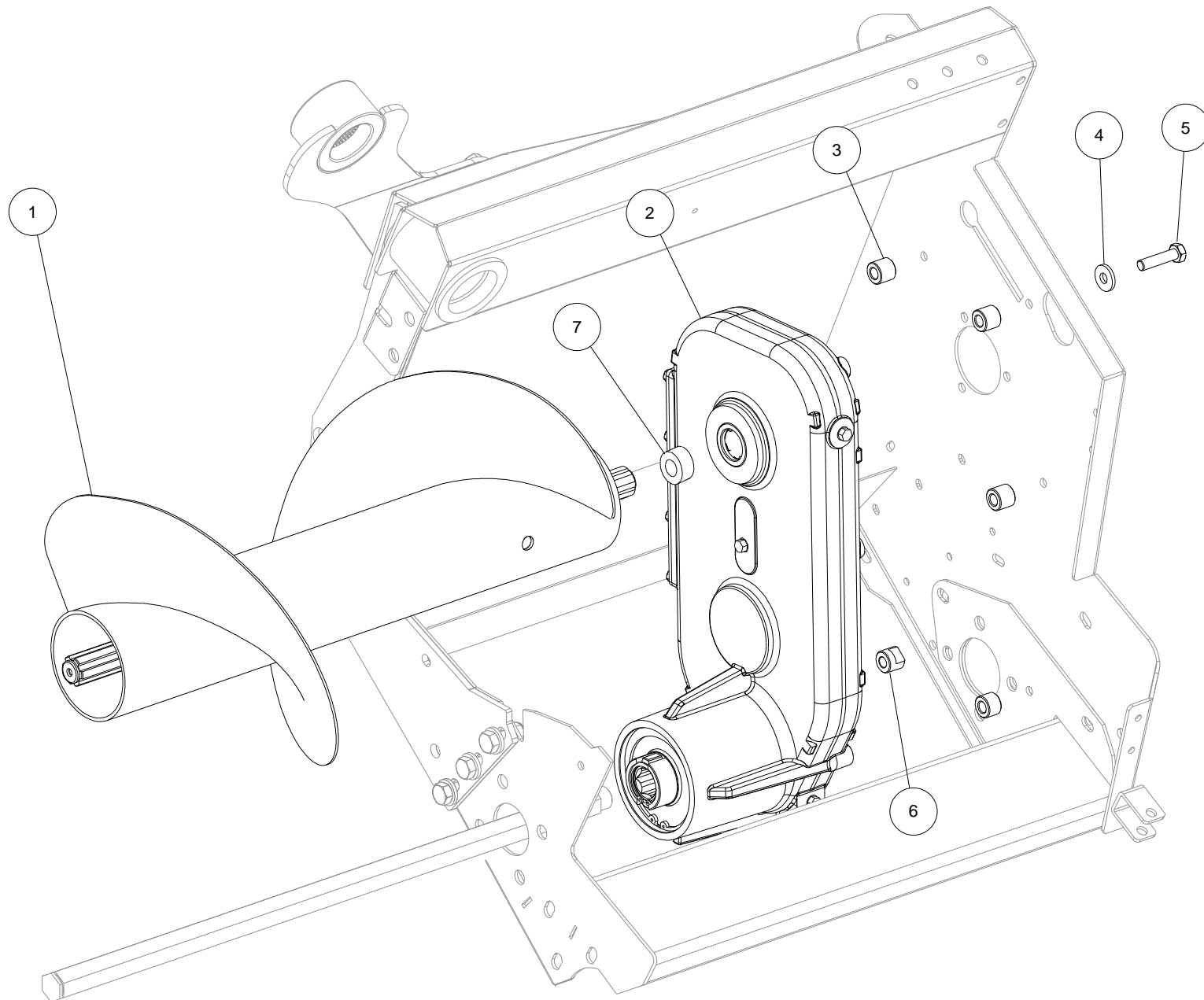
Pos	Code	Descrizione	Note	Description	Description	Beschreibung	Descripcìon
1	PMT-000017	LINGUETTA	10X8X40	KNOTTER TONGUE	LANGUETTE	KNOTERERZUNGE	LENGUETA
2	01.1292.00	INGRANAGGIO	Z57 ASA60	GEAR	ROUE DENTEE	STINRAD	ENGRANAJE
3	PMF-000040	VITE TENSILOCK	M10X25	SECURING SCREW TENSILOCK	VIS TENSILOCK	SCHRAUBE TENSILOCK	TORNILLO TENSILOCK
4	PMS-000068	FLANGIA		FLANGE	BRIDE	FLANSCH	PLACA
5	PMS-000065	CUSCINETTO A SFERE		BALL BEARING	ROULEMENT A BILLES	KUGELLAGER	RODAMIENTO DE BOLAS
6	03.2140.00	CATENA	40 MAGLIE	CHAIN	CHAINE	KETTE	CADENA
6	03.2141.00	CATENA	41 MAGLIE	CHAIN	CHAINE	KETTE	CADENA
7	PMF-000012	DADO TENSILOCK	M10	SECURING NUT TENSILOCK	ECROU TENSILOCK	SICHERUNGSMUTTER TENSILOCK	CONTRATUERCA TENSILOCK
8	02.2013.00	RONDELLA		WASHER	RONDELLE	SCHEIBE	ARANDELLA
9	PMF-000020	RONDELLA	M20	WASHER	RONDELLE	SCHEIBE	ARANDELLA
10	01.0161.02	BLOCCHETTO FERMA ESAGONO		ADJUSTING RING	BAGUE D'ARRET	STELLRING	PARO
11	01.0871.00	DISTANZIALE		SPACER	EPAISSEUR	DISTANZSCHEIBE	ESPACIADOR
12	03.4560.00	LIMITATORE	ASA 60	CLUTCH	EMBRAYAGE	KUPPLUNG	EMBRAGUE
13	01.1900.01	DISTANZIALE FRIZIONE		SPACER SLEEVE	MANCHON DISTANCE	DISTANZSCHEIBE	ESPACIADOR
14	PMF-000045	VITE TENSILOCK	M12X20	SECURING SCREW TENSILOCK	VIS TENSILOCK	SCHRAUBE TENSILOCK	TORNILLO TENSILOCK
15	01.0875.00	DISCO DI PROTEZIONE		DISQUE DE PROTECTION	DISC GUARD	DECKSCHEIBE	DISCO DE PROTECCION
16	PMF-000306	ANELLO ELASTICO	I 52X2	CIRCLIP	CIRCLIP	SICHERUNGSRING	ANILLO ELASTICO
17	PMS-000064	CUSCINETTO		BEARING	ROULEMENT	PENDELKUGELLAGER	COJINETE
18	01.0230.00	SUPPORTO		SUPPORT	SUPPORT	ABSTUZUNG	SOPORTE
19	PMT-000007	MAGLIA DI GIUNZIONE		LOCKING LINK	MAILLON DE RACCORD	VERSCHLUSSGLIED	ESLABON DE CADENA
20	PMF-000024	DADO AUTOBLOCCANTE	M12	SECURING NUT	ECROU INDESSERRAB	SICHERUNGSMUTTER	CONTRATUERCA
21	PMF-000089	RONDELLA	13X24X2.5	WASHER	RONDELLE	SCHEIBE	ARANDELLA
22	PMT-000004	PIGNONE		SPROCKET	PIGNON	KEGELRAD	PIÑÓN
23	S1-30028	BOCCOLA		BUSHING	DOUILLE	BÜCHSE	HEVILLA
24	PMF-000038	VITE TBQS	M12X60	COACH SCREW	VIS A TETE BOMBEE	FLACHRUNDSCHRAUBE	TORNILLO



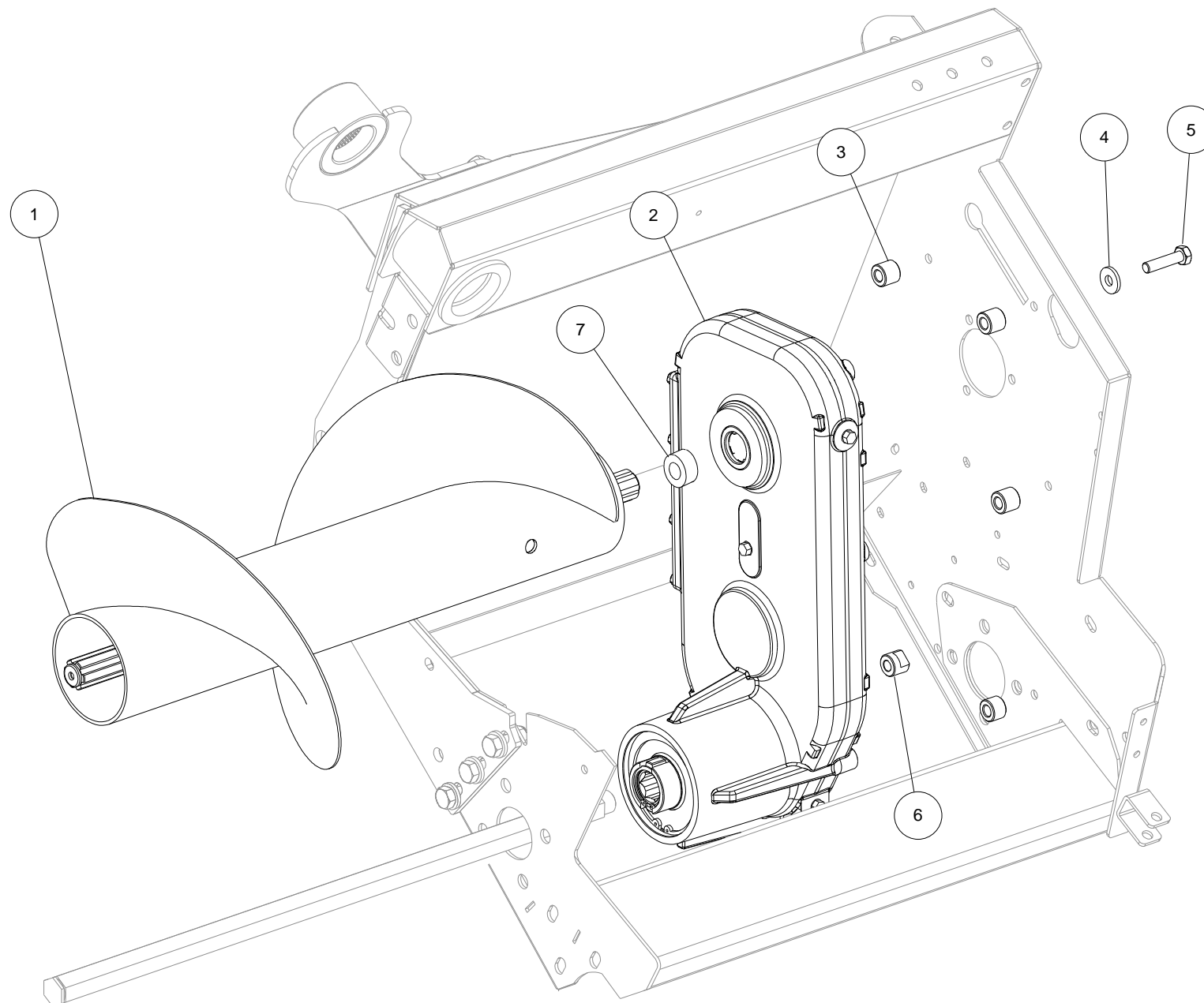
Pos	Code	Descrizione	Note	Description	Description	Beschreibung	Descripcìon
25	01.0501.00	ALBERO ESAGONALE		HEXAGONAL SHAFT	ARBRE SIX PANS	WELLE	EJE HEXAGONAL



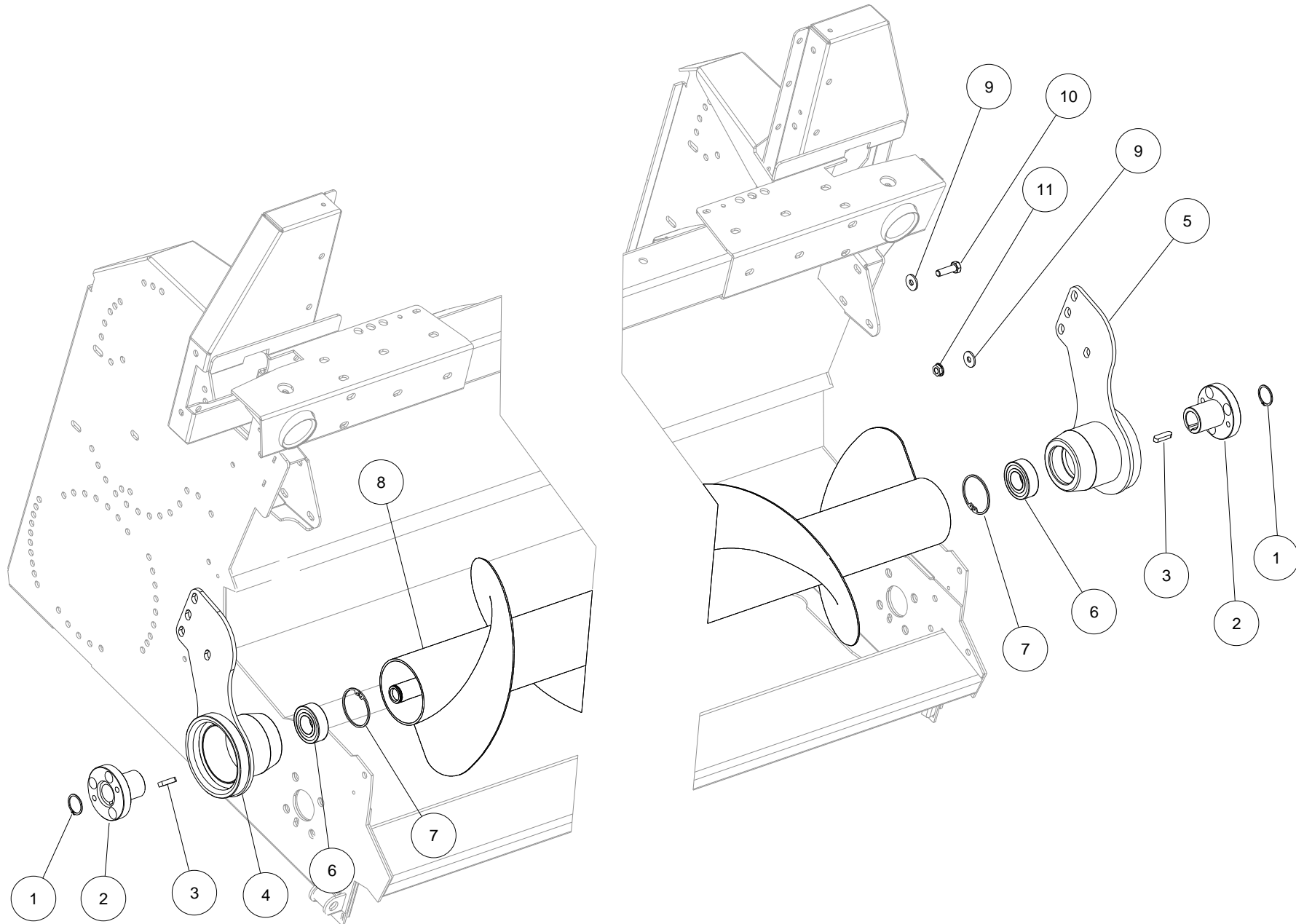
Pos	Code	Descrizione	Note	Description	Description	Beschreibung	Descripcìon
1	PMF-000140	VITE TCEI	M8X20	SOCKET HEAD SCREW	VIS CYLINDRIQUE	ZYLINDERSCHRAUBE	TORNILLO
2	M1-20055	RONDELLA	8.4X40X4	WASHER	RONDELLE	SCHEIBE	ARANDELLA
3	M1-20052	PIOLO		JOINT PIN	PIVOT	ZAPFEN	PERNO
4	M1-20051	INNESTO MASCHIO COCLEA		AUGER CLUTCH	BRANCHE	KUPPLUNG	EMBRAGUE
5	M1-20053	MOLLA		COMPRESS SPRING	RESSORT	DRUCKFEDER	MUELLE
6	M1-20054	RONDELLA SPINGIMOLLA		WASHER	RONDELLE	SCHEIBE	ARANDELA
7	01.0243.02	FLANGIA		BRIDE	FLANGE	FLANSCH	BRIDA
8	PMS-000013	CUSCINETTO A SFERE		BALL BEARING	ROULEMENT A BILLES	KUGELLAGER	RODAMIENTO DE BOLAS
9	PMF-000022	ANELLO ELASTICO	I 72X2.5	CIRCLIP	CIRCLIP	SICHERUNGSRING	ANILLO ELASTICO
10	03.4746.00	COCLEA SINISTRA	LEFT	LEFT AUGER	VIS D'ALIMENTATION GAUCHE	SCHNECKE LINKS	SINFIN IZQUIERDA
11	PMF-000378	VITE TE	M12X40	HEXAGONAL SCREW	VIS SIX PANS	SECHSKANTSCHRAUBE	TORNILLO
12	PMF-000089	RONDELLA	13X24X2.5	WASHER	RONDELLE	SCHEIBE	ARANDELLA
13	PMF-000034	VITE TENSILOCK	M8X20	SECURING SCREW TENSILOCK	VIS TENSILOCK	SCHRAUBE TENSILOCK	TORNILLO TENSILOCK
14	PMF-000060	DADO TENSILOCK	M12	SECURING NUT TENSILOCK	ECROU TENSILOCK	SICHERUNGSMUTTER TENSILOCK	CONTRATUERCA TENSILOCK
15	01.0841.00	CARTER		GUARD	GARANT	SCHUTZ	PROTECCION
16	PMF-000016	DADO TENSILOCK	M8	SECURING NUT TENSILOCK	ECROU TENSILOCK	SICHERUNGSMUTTER TENSILOCK	CONTRATUERCA TENSILOCK



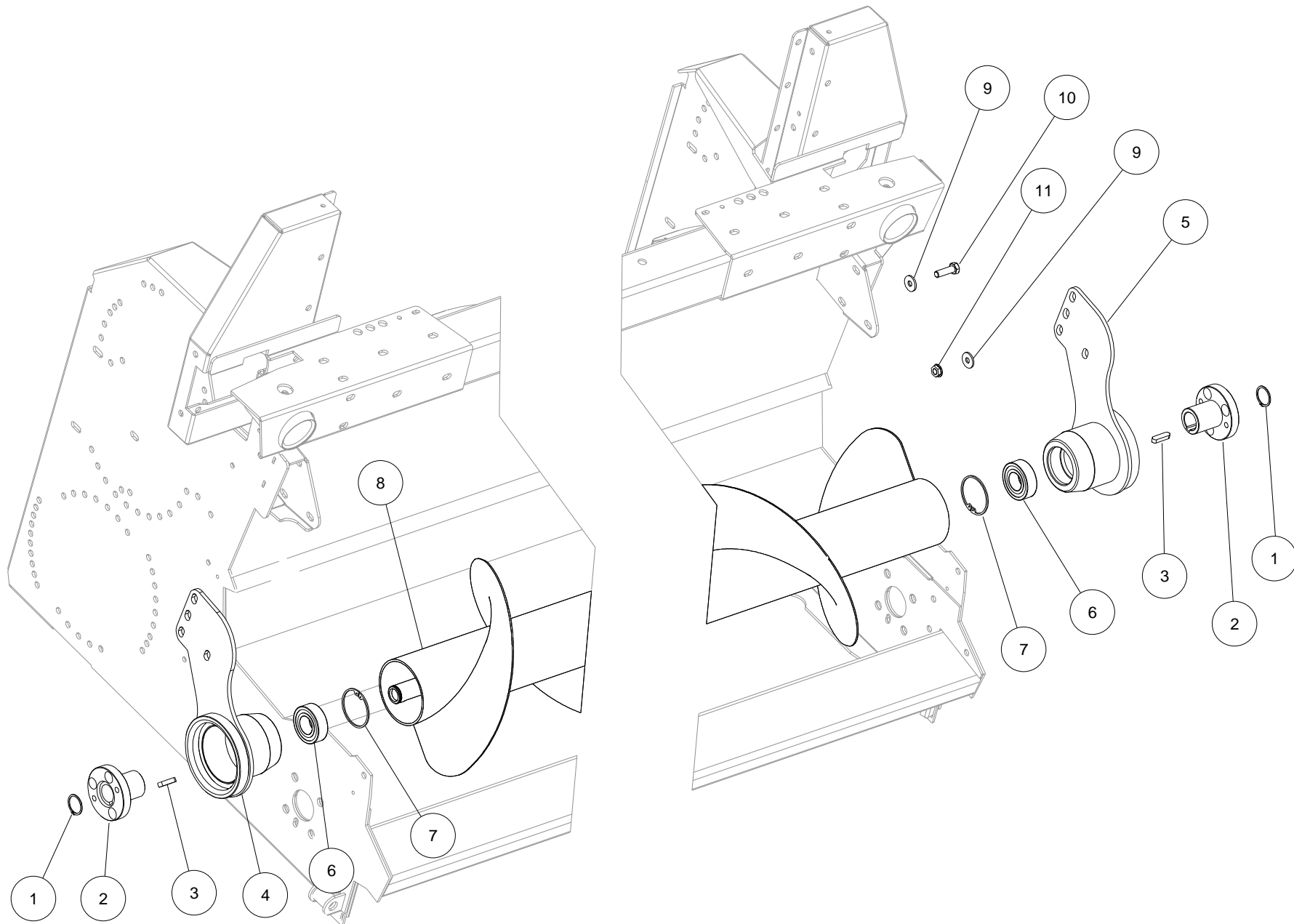
Pos	Code	Descrizione	Note	Description	Description	Beschreibung	Descripcìon
1	03.4763.00	COCLEA SINISTRA	R5-750/800	LEFT AUGER	VIS D'ALIMENTATION GAUCHE	SCHNECKE LINKS	SINFIN IZQUIERDA
1	03.4763.00	COCLEA SINISTRA	R6/700/750/800	LEFT AUGER	VIS D'ALIMENTATION GAUCHE	SCHNECKE LINKS	SINFIN IZQUIERDA
2	M1-20060	SCATOLA DI TRASMISSIONE		GEARBOX	BOITIER D'ENTRAINEMENT	GETRIEBE	CAJA ENGRANAJE
3	01.1215.00	DISTANZIALE		SPACER	EPESEURE	DISTANZSCHEIBE	ESPACIADOR
4	M1-80124	RONDELLA	12X30X3	WASHER	RONDELLE	SCHEIBE	ARANDELLA
5	PMF-000037	VITE TE	M12X50	HEXAGONAL SCREW	VIS SIX PANS	SECHSKANTSCHRAUBE	TORNILLO
6	01.1216.00	DISTANZIALE		SPACER	EPESEURE	DISTANZSCHEIBE	ESPACIADOR
7	01.1218.00	DISTANZIALE		SPACER	EPAISSEUR	DISTANZSCHEIBE	ESPACIADOR



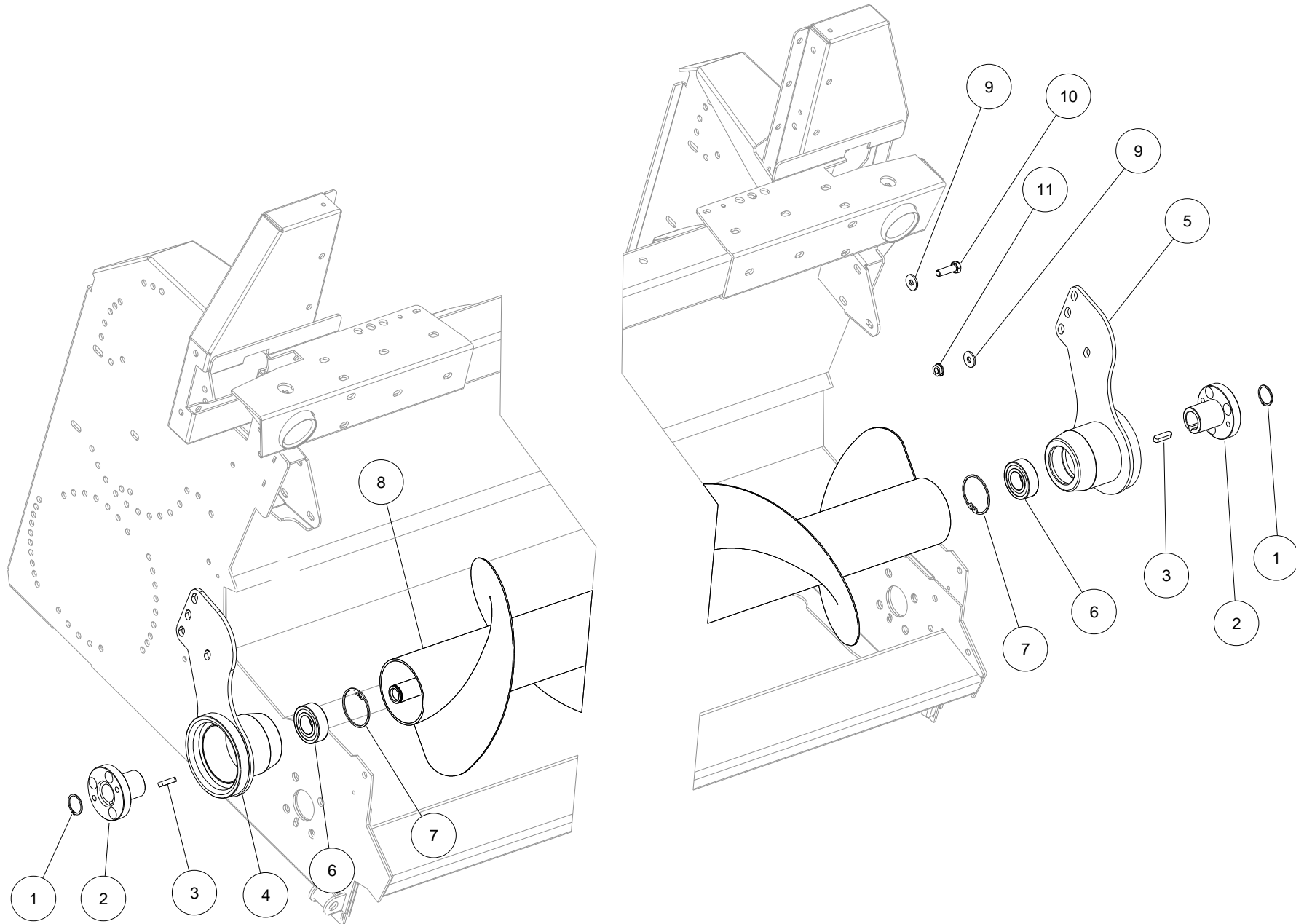
Pos	Code	Descrizione	Note	Description	Description	Beschreibung	Descripcìon
1	03.4764.00	COCLEA SINISTRA	750	LEFT AUGER	VIS D'ALIMENTATION GAUCHE	SCHNECKE LINKS	SINFIN IZQUIERDA
1	03.4765.00	COCLEA SINISTRA	700	LEFT AUGER	VIS D'ALIMENTATION GAUCHE	SCHNECKE LINKS	SINFIN IZQUIERDA
1	03.4766.00	COCLEA SINISTRA	800	LEFT AUGER	VIS D'ALIMENTATION GAUCHE	SCHNECKE LINKS	SINFIN IZQUIERDA
2	M1-20060	SCATOLA DI TRASMISSIONE		GEARBOX	BOITIER D'ENTRAINEMENT	GETRIEBE	CAJA ENGRANAJE
3	01.1215.00	DISTANZIALE		SPACER	EPESEURE	DISTANZSCHEIBE	ESPACIADOR
4	M1-80124	RONDELLA	12X30X3	WASHER	RONDELLE	SCHEIBE	ARANDELLA
5	PMF-000037	VITE TE	M12X50	HEXAGONAL SCREW	VIS SIX PANS	SECHSKANTSCHRAUBE	TORNILLO
6	01.1216.00	DISTANZIALE		SPACER	EPESEURE	DISTANZSCHEIBE	ESPACIADOR
7	01.1218.00	DISTANZIALE		SPACER	EPAISSEUR	DISTANZSCHEIBE	ESPACIADOR



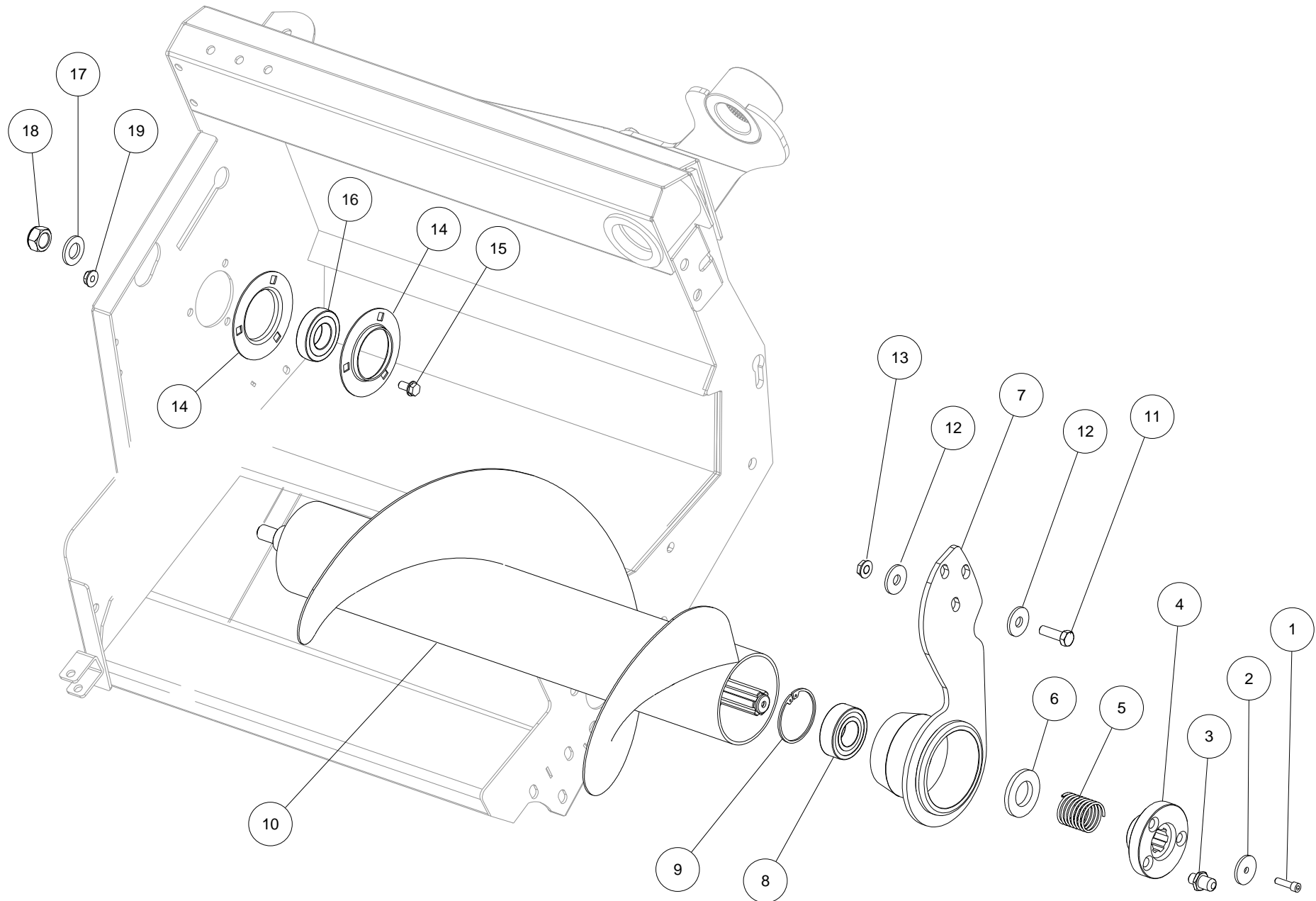
Pos	Code	Descrizione	Note	Description	Description	Beschreibung	Descripcìon
1	PMF-000079	ANELLO ELASTICO	E 35X1.5	CIRCLIP	CIRCLIP	SICHERUNGSRING	ANILLO ELASTICO
2	M1-20050	INNESTO FEMMINA COCLEA		AUGER CLUTCH	BRANCHE	KUPPLUNG	EMBRAGUE
3	PMT-000017	LINGUETTA	10X8X40	KNOTTER TONGUE	LANGUETTE	KNOTERERZUNGE	LENGUETA
4	01.0241.02	FLANGIA		FLANGE	BRIDE	FLANSCH	BRIDA
5	01.0242.02	FLANGIA		FLANGE	BRIDE	FLANSCH	BRIDA
6	PMS-000013	CUSCINETTO A SFERE		BALL BEARING	ROULEMENT A BILLES	KUGELLAGER	RODAMIENTO DE BOLAS
7	PMF-000022	ANELLO ELASTICO	I 72X2.5	CIRCLIP	CIRCLIP	SICHERUNGSRING	ANILLO ELASTICO
8	03.4736.00	COCLEA CENTRALE	R5-700/750	MIDDLE AUGER	VIS D'ALIMENTATION CENTRALE	SCHNECKE ZENTRAL	SINFIN
8	03.4769.00	COCLEA CENTRALE	R5-800	MIDDLE AUGER	VIS D'ALIMENTATION CENTRALE	SCHNECKE ZENTRAL	SINFIN
9	PMF-000089	RONDELLA	13X24X2.5	WASHER	RONDELLE	SCHEIBE	ARANDELLA
10	PMF-000104	VITE TE	M12X35	HEXAGONAL SCREW	VIS SIX PANS	SECHSKANTSCHRAUBE	TORNILLO
11	PMF-000060	DADO TENSILOCK	M12	SECURING NUT TENSILOCK	ECROU TENSILOCK	SICHERUNGSMUTTER TENSILOCK	CONTRATUERCA TENSILOCK



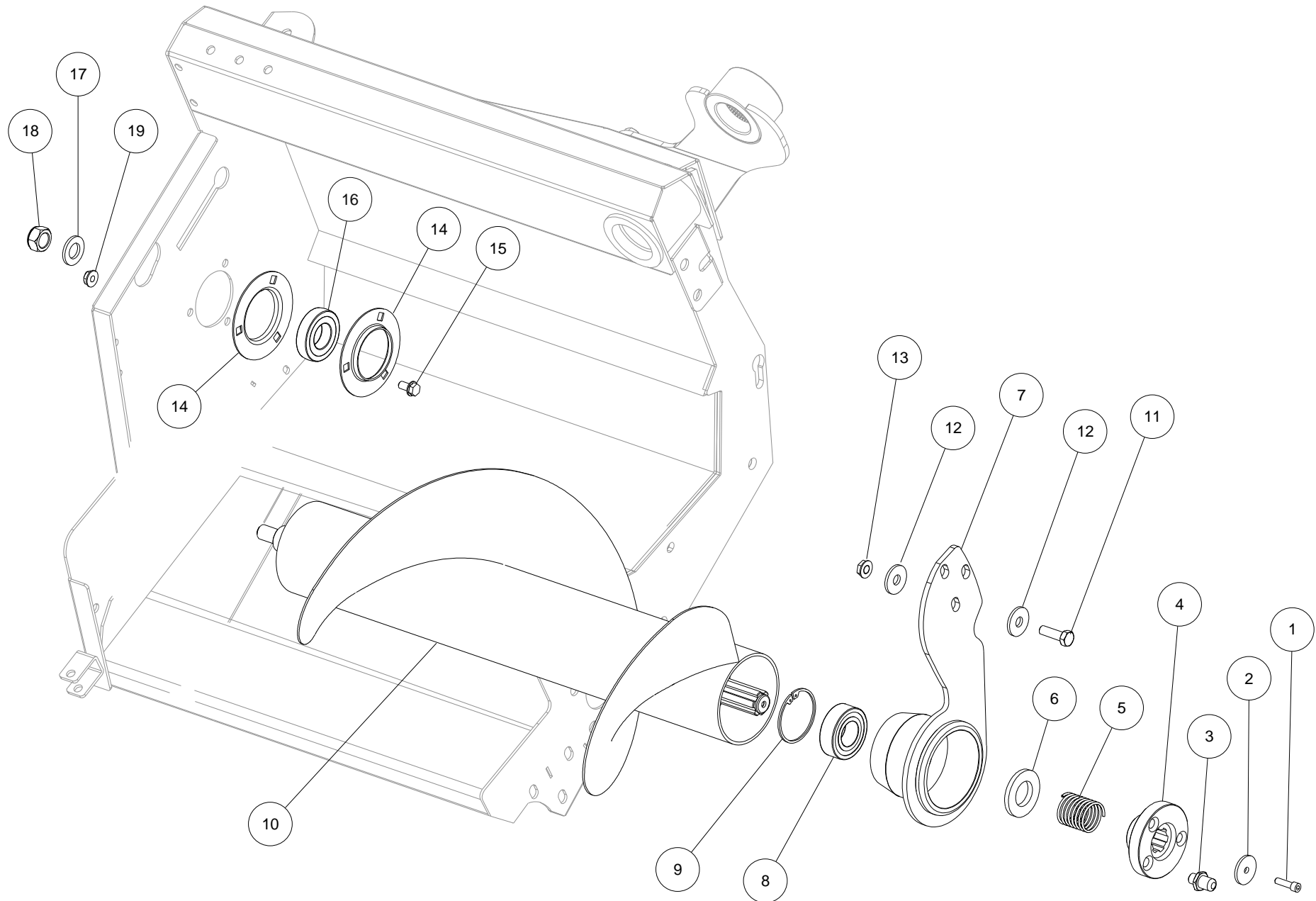
Pos	Code	Descrizione	Note	Description	Description	Beschreibung	Descripcìon
1	PMF-000079	ANELLO ELASTICO	E 35X1.5	CIRCLIP	CIRCLIP	SICHERUNGSRING	ANILLO ELASTICO
2	M1-20050	INNESTO FEMMINA COCLEA		AUGER CLUTCH	BRANCHE	KUPPLUNG	EMBRAGUE
3	PMT-000017	LINGUETTA	10X8X40	KNOTTER TONGUE	LANGUETTE	KNOTERERZUNGE	LENGUETA
4	01.0241.02	FLANGIA		FLANGE	BRIDE	FLANSCH	BRIDA
5	01.0242.02	FLANGIA		FLANGE	BRIDE	FLANSCH	BRIDA
6	PMS-000013	CUSCINETTO A SFERE		BALL BEARING	ROULEMENT A BILLES	KUGELLAGER	RODAMIENTO DE BOLAS
7	PMF-000022	ANELLO ELASTICO	I 72X2.5	CIRCLIP	CIRCLIP	SICHERUNGSRING	ANILLO ELASTICO
8	03.4731.00	COCLEA CENTRALE	R6-750/800	MIDDLE AUGER	VIS D'ALIMENTATION CENTRALE	SCHNECKE ZENTRAL	SINFIN
8	03.4737.00	COCLEA CENTRALE	R6-700/750	MIDDLE AUGER	VIS D'ALIMENTATION CENTRALE	SCHNECKE ZENTRAL	SINFIN
9	PMF-000089	RONDELLA	13X24X2.5	WASHER	RONDELLE	SCHEIBE	ARANDELLA
10	PMF-000104	VITE TE	M12X35	HEXAGONAL SCREW	VIS SIX PANS	SECHSKANTSCHRAUBE	TORNILLO
11	PMF-000060	DADO TENSILOCK	M12	SECURING NUT TENSILOCK	ECROU TENSILOCK	SICHERUNGSMUTTER TENSILOCK	CONTRATUERCA TENSILOCK



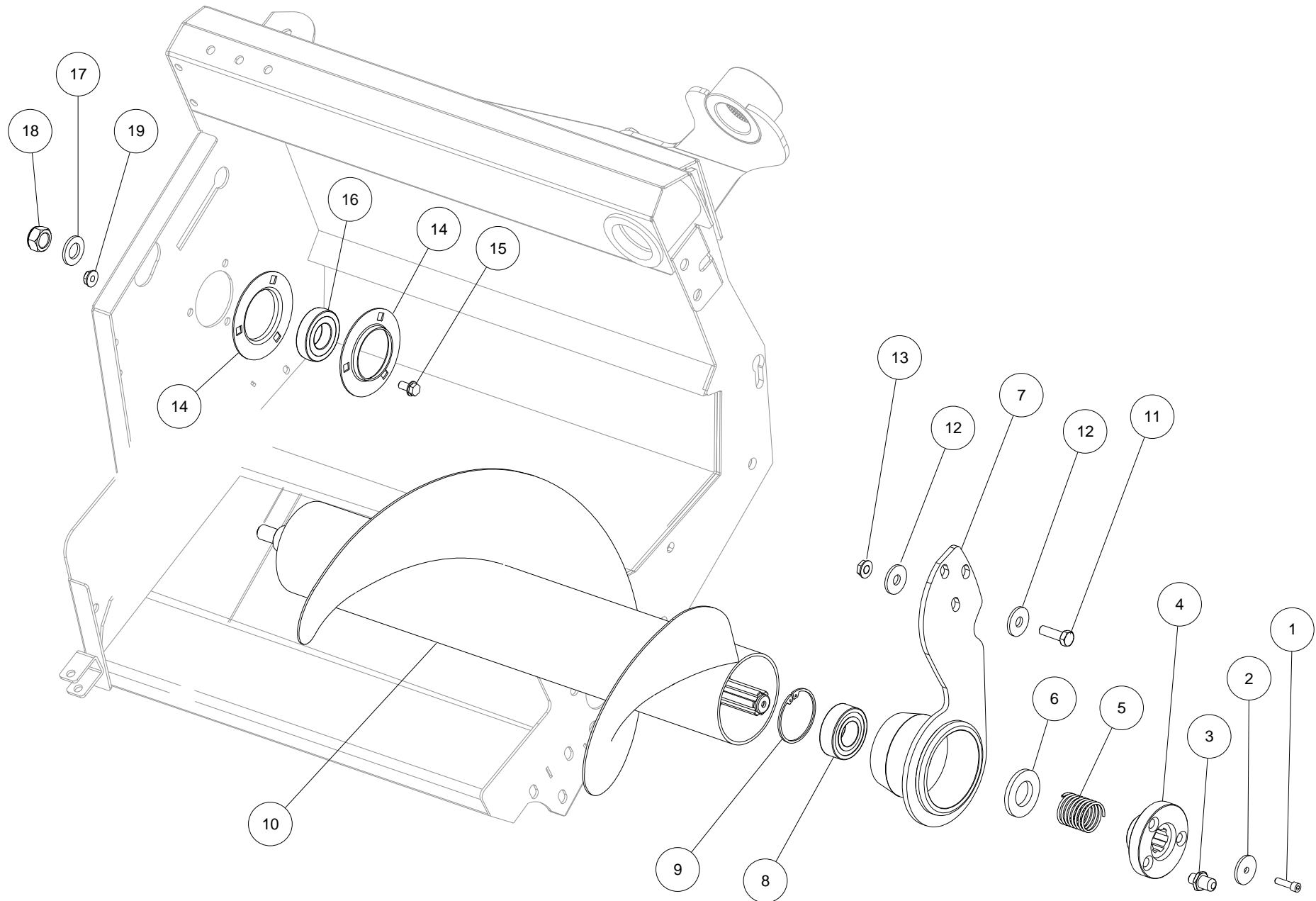
Pos	Code	Descrizione	Note	Description	Description	Beschreibung	Descripcìon
1	PMF-000079	ANELLO ELASTICO	E 35X1.5	CIRCLIP	CIRCLIP	SICHERUNGSRING	ANILLO ELASTICO
2	M1-20050	INNESTO FEMMINA COCLEA		AUGER CLUTCH	BRANCHE	KUPPLUNG	EMBRAGUE
3	PMT-000017	LINGUETTA	10X8X40	KNOTTER TONGUE	LANGUETTE	KNOTERERZUNGE	LENGUETA
4	01.0241.02	FLANGIA		FLANGE	BRIDE	FLANSCH	BRIDA
5	01.0242.02	FLANGIA		FLANGE	BRIDE	FLANSCH	BRIDA
6	PMS-000013	CUSCINETTO A SFERE		BALL BEARING	ROULEMENT A BILLES	KUGELLAGER	RODAMIENTO DE BOLAS
7	PMF-000022	ANELLO ELASTICO	I 72X2.5	CIRCLIP	CIRCLIP	SICHERUNGSRING	ANILLO ELASTICO
8	03.4738.00	COCLEA CENTRALE	R8-700	MIDDLE AUGER	VIS D'ALIMENTATION CENTRALE	SCHNECKE ZENTRAL	SINFIN
8	03.4739.00	COCLEA CENTRALE	R8-750(320)	MIDDLE AUGER	VIS D'ALIMENTATION CENTRALE	SCHNECKE ZENTRAL	SINFIN
8	03.4740.00	COCLEA CENTRALE	R8-800	MIDDLE AUGER	VIS D'ALIMENTATION CENTRALE	SCHNECKE ZENTRAL	SINFIN
8	03.4748.00	COCLEA CENTRALE	R8-750(340)	MIDDLE AUGER	VIS D'ALIMENTATION CENTRALE	SCHNECKE ZENTRAL	SINFIN
9	PMF-000089	RONDELLA	13X24X2.5	WASHER	RONDELLE	SCHEIBE	ARANDELLA
10	PMF-000104	VITE TE	M12X35	HEXAGONAL SCREW	VIS SIX PANS	SECHSKANTSCHRAUBE	TORNILLO
11	PMF-000060	DADO TENSILOCK	M12	SECURING NUT TENSILOCK	ECROU TENSILOCK	SICHERUNGSMUTTER TENSILOCK	CONTRATUERCA TENSILOCK



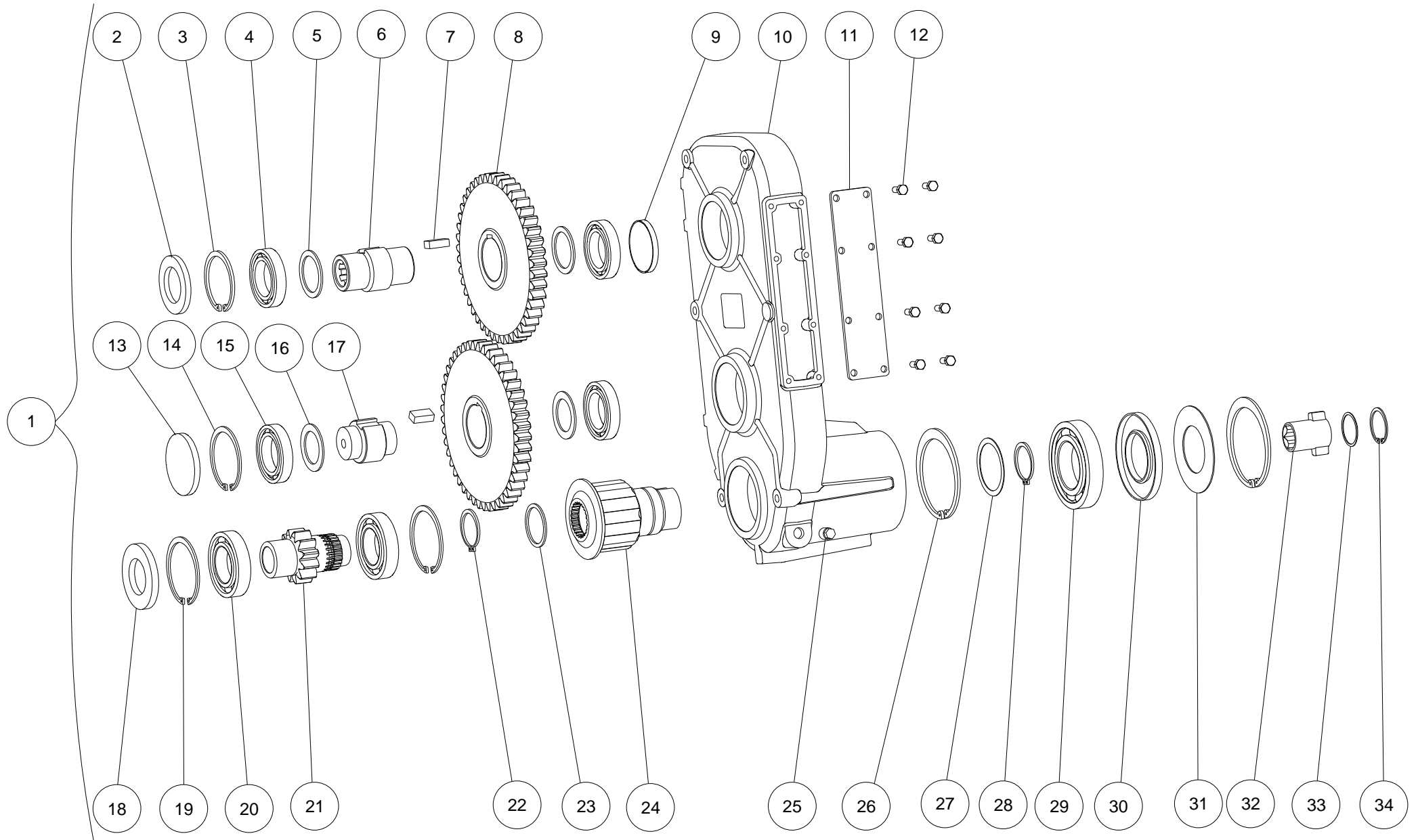
Pos	Code	Descrizione	Note	Description	Description	Beschreibung	Descripcìon
1	PMF-000140	VITE TCEI	M8X20	SOCKET HEAD SCREW	VIS CYLINDRIQUE	ZYLINDERSCHRAUBE	TORNILLO
2	M1-20055	RONDELLA	8.4X40X4	WASHER	RONDELLE	SCHEIBE	ARANDELLA
3	M1-20052	PIOLO		JOINT PIN	PIVOT	ZAPFEN	PERNO
4	M1-20051	INNESTO MASCHIO COCLEA		AUGER CLUTCH	BRANCHE	KUPPLUNG	EMBRAGUE
5	M1-20053	MOLLA		COMPRESS SPRING	RESSORT	DRUCKFEDER	MUELLE
6	M1-20054	RONDELLA SPINGIMOLLA		WASHER	RONDELLE	SCHEIBE	ARANDELA
7	01.0240.02	FLANGIA		FLANGE	BRIDE	FLANSCH	BRIDA
8	PMS-000013	CUSCINETTO A SFERE		BALL BEARING	ROULEMENT A BILLES	KUGELLAGER	RODAMIENTO DE BOLAS
9	PMF-000022	ANELLO ELASTICO	I 72X2.5	CIRCLIP	CIRCLIP	SICHERUNGSRING	ANILLO ELASTICO
10	03.4722.00	COCLEA DESTRA	R5-750/800	RIGHT AUGER	VIS SANS FIN DROITE	SCHNECKE RECHTS	SINFIN DERECHA
10	03.4747.00	COCLEA DESTRA	R5-700/750	RIGHT AUGER	VIS SANS FIN DROITE	SCHNECKE RECHTS	SINFIN DERECHA
11	PMF-000378	VITE TE	M12X40	HEXAGONAL SCREW	VIS SIX PANS	SECHSKANTSCHRAUBE	TORNILLO
12	PMF-000089	RONDELLA	13X24X2.5	WASHER	RONDELLE	SCHEIBE	ARANDELLA
13	PMF-000060	DADO TENSILOCK	M12	SECURING NUT TENSILOCK	ECROU TENSILOCK	SICHERUNGSMUTTER TENSILOCK	CONTRATUERCA TENSILOCK
14	PMS-000068	FLANGIA		FLANGE	BRIDE	FLANSCH	PLACA
15	PMF-000040	VITE TENSILOCK	M10X25	SECURING SCREW TENSILOCK	VIS TENSILOCK	SCHRAUBE TENSILOCK	TORNILLO TENSILOCK
16	PMS-000065	CUSCINETTO A SFERE		BALL BEARING	ROULEMENT A BILLES	KUGELLAGER	RODAMIENTO DE BOLAS
17	02.2013.00	RONDELLA		WASHER	RONDELLE	SCHEIBE	ARANDELLA
18	PMF-000020	RONDELLA	M20	WASHER	RONDELLE	SCHEIBE	ARANDELLA
19	PMF-000012	DADO TENSILOCK	M10	SECURING NUT TENSILOCK	ECROU TENSILOCK	SICHERUNGSMUTTER TENSILOCK	CONTRATUERCA TENSILOCK



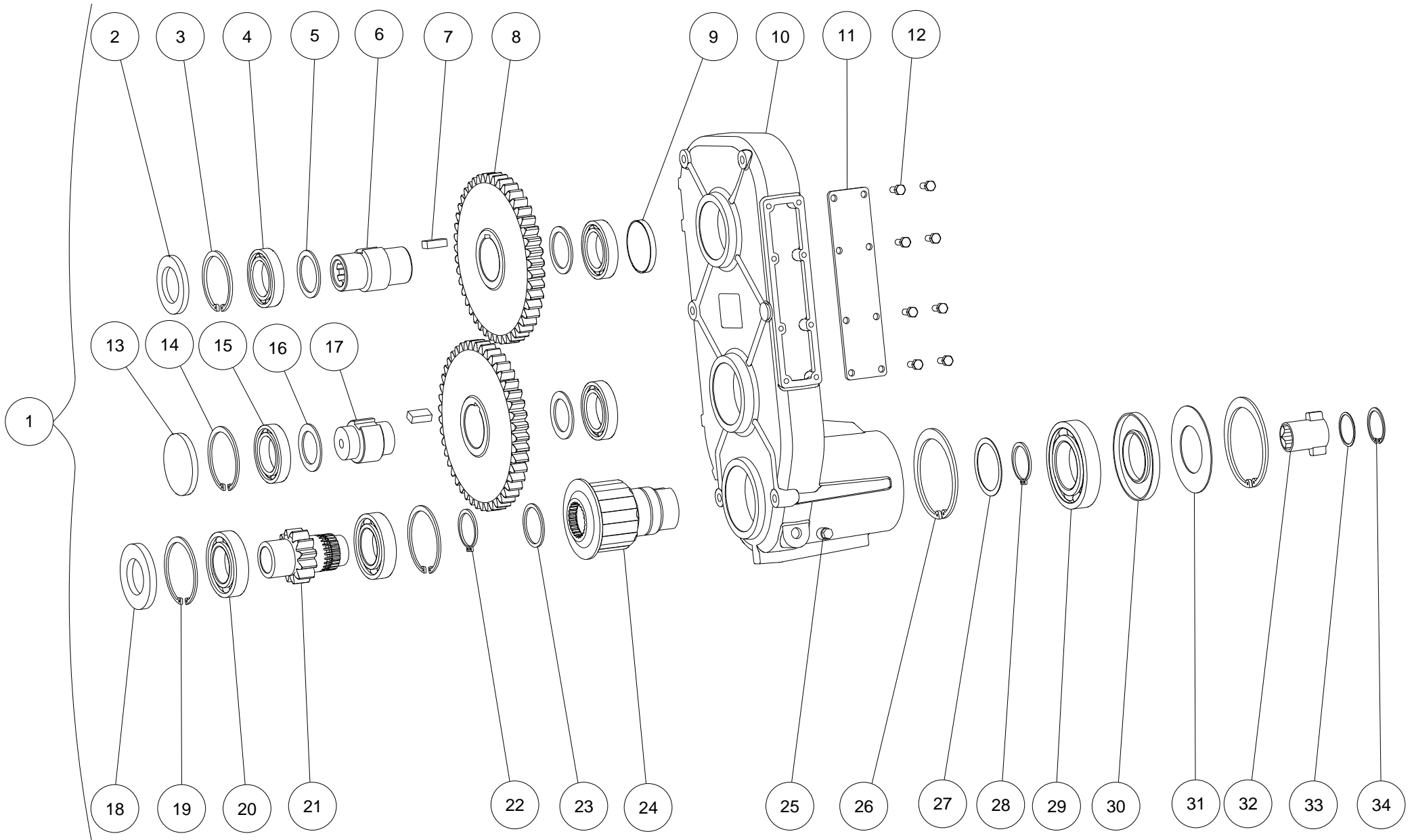
Pos	Code	Descrizione	Note	Description	Description	Beschreibung	Descripcìon
1	PMF-000140	VITE TCEI	M8X20	SOCKET HEAD SCREW	VIS CYLINDRIQUE	ZYLINDERSCHRAUBE	TORNILLO
2	M1-20055	RONDELLA	8.4X40X4	WASHER	RONDELLE	SCHEIBE	ARANDELLA
3	M1-20052	PIOLO		JOINT PIN	PIVOT	ZAPFEN	PERNO
4	M1-20051	INNESTO MASCHIO COCLEA		AUGER CLUTCH	BRANCHE	KUPPLUNG	EMBRAGUE
5	M1-20053	MOLLA		COMPRESS SPRING	RESSORT	DRUCKFEDER	MUELLE
6	M1-20054	RONDELLA SPINGIMOLLA		WASHER	RONDELLE	SCHEIBE	ARANDELA
7	01.0240.02	FLANGIA		FLANGE	BRIDE	FLANSCH	BRIDA
8	PMS-000013	CUSCINETTO A SFERE		BALL BEARING	ROULEMENT A BILLES	KUGELLAGER	RODAMIENTO DE BOLAS
9	PMF-000022	ANELLO ELASTICO	I 72X2.5	CIRCLIP	CIRCLIP	SICHERUNGSRING	ANILLO ELASTICO
10	03.4722.00	COCLEA DESTRA	R6-700/750/800	RIGHT AUGER	VIS SANS FIN DROITE	SCHNECKE RECHTS	SINFIN DERECHA
11	PMF-000378	VITE TE	M12X40	HEXAGONAL SCREW	VIS SIX PANS	SECHSKANTSCHRAUBE	TORNILLO
12	PMF-000089	RONDELLA	13X24X2.5	WASHER	RONDELLE	SCHEIBE	ARANDELLA
13	PMF-000060	DADO TENSILOCK	M12	SECURING NUT TENSILOCK	ECROU TENSILOCK	SICHERUNGSMUTTER TENSILOCK	CONTRATUERCA TENSILOCK
14	PMS-000068	FLANGIA		FLANGE	BRIDE	FLANSCH	PLACA
15	PMF-000040	VITE TENSILOCK	M10X25	SECURING SCREW TENSILOCK	VIS TENSILOCK	SCHRAUBE TENSILOCK	TORNILLO TENSILOCK
16	PMS-000065	CUSCINETTO A SFERE		BALL BEARING	ROULEMENT A BILLES	KUGELLAGER	RODAMIENTO DE BOLAS
17	02.2013.00	RONDELLA		WASHER	RONDELLE	SCHEIBE	ARANDELLA
18	PMF-000020	RONDELLA	M20	WASHER	RONDELLE	SCHEIBE	ARANDELLA
19	PMF-000012	DADO TENSILOCK	M10	SECURING NUT TENSILOCK	ECROU TENSILOCK	SICHERUNGSMUTTER TENSILOCK	CONTRATUERCA TENSILOCK



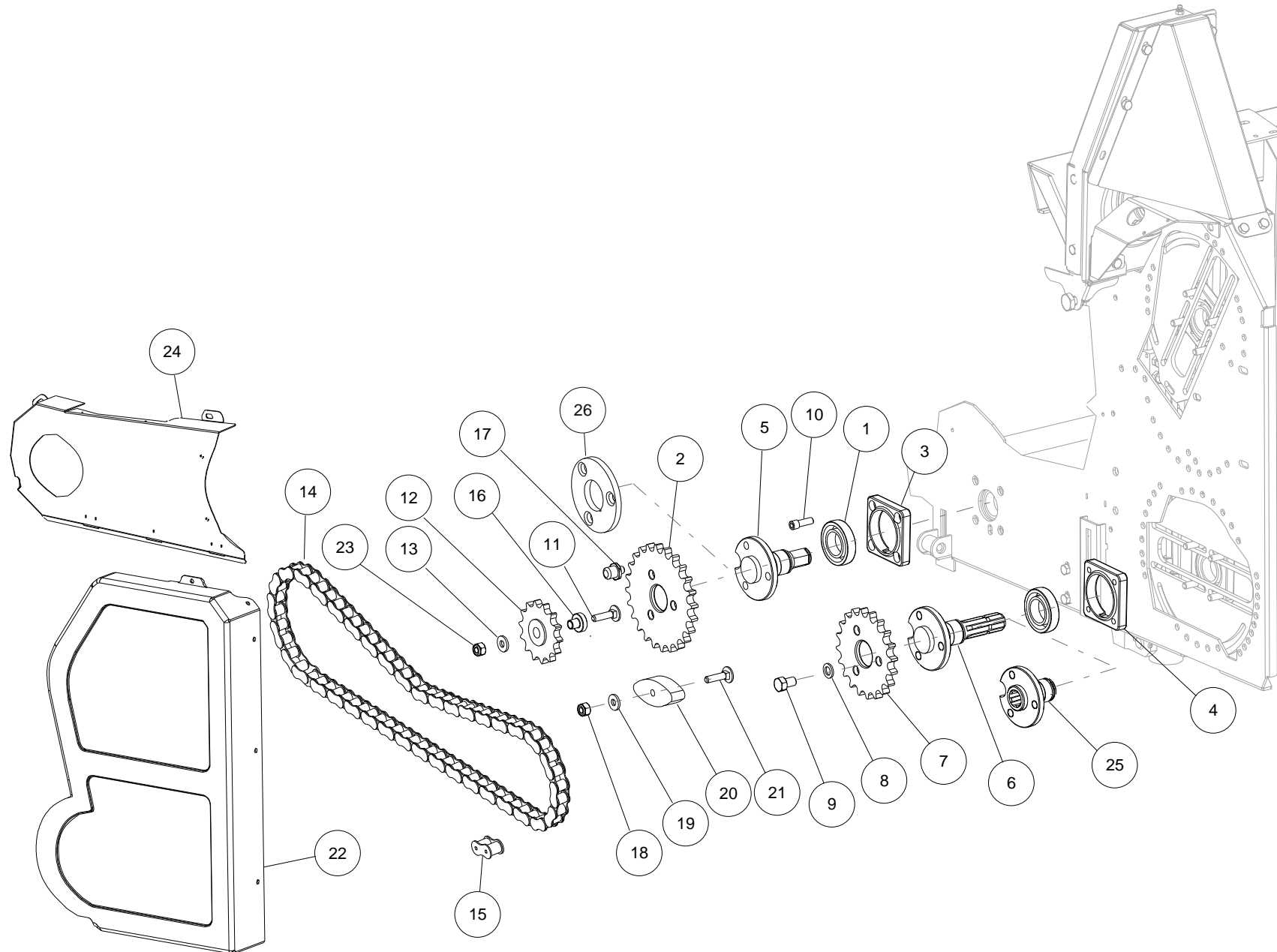
Pos	Code	Descrizione	Note	Description	Description	Beschreibung	Descripcìon
1	PMF-000140	VITE TCEI	M8X20	SOCKET HEAD SCREW	VIS CYLINDRIQUE	ZYLINDERSCHRAUBE	TORNILLO
2	M1-20055	RONDELLA	8.4X40X4	WASHER	RONDELLE	SCHEIBE	ARANDELLA
3	M1-20052	PIOLO		JOINT PIN	PIVOT	ZAPFEN	PERNO
4	M1-20051	INNESTO MASCHIO COCLEA		AUGER CLUTCH	BRANCHE	KUPPLUNG	EMBRAGUE
5	M1-20053	MOLLA		COMPRESS SPRING	RESSORT	DRUCKFEDER	MUELLE
6	M1-20054	RONDELLA SPINGIMOLLA		WASHER	RONDELLE	SCHEIBE	ARANDELA
7	01.0240.02	FLANGIA		FLANGE	BRIDE	FLANSCH	BRIDA
8	PMS-000013	CUSCINETTO A SFERE		BALL BEARING	ROULEMENT A BILLES	KUGELLAGER	RODAMIENTO DE BOLAS
9	PMF-000022	ANELLO ELASTICO	I 72X2.5	CIRCLIP	CIRCLIP	SICHERUNGSRING	ANILLO ELASTICO
10	03.4723.00	COCLEA DESTRA	R8-700/750	RIGHT AUGER	VIS SANS FIN DROITE	SCHNECKE RECHTS	SINFIN DERECHA
10	03.4745.00	COCLEA DESTRA	R8-800	RIGHT AUGER	VIS SANS FIN DROITE	SCHNECKE RECHTS	SINFIN DERECHA
11	PMF-000378	VITE TE	M12X40	HEXAGONAL SCREW	VIS SIX PANS	SECHSKANTSCHRAUBE	TORNILLO
12	PMF-000089	RONDELLA	13X24X2.5	WASHER	RONDELLE	SCHEIBE	ARANDELLA
13	PMF-000060	DADO TENSILOCK	M12	SECURING NUT TENSILOCK	ECROU TENSILOCK	SICHERUNGSMUTTER TENSILOCK	CONTRATUERCA TENSILOCK
14	PMS-000068	FLANGIA		FLANGE	BRIDE	FLANSCH	PLACA
15	PMF-000040	VITE TENSILOCK	M10X25	SECURING SCREW TENSILOCK	VIS TENSILOCK	SCHRAUBE TENSILOCK	TORNILLO TENSILOCK
16	PMS-000065	CUSCINETTO A SFERE		BALL BEARING	ROULEMENT A BILLES	KUGELLAGER	RODAMIENTO DE BOLAS
17	02.2013.00	RONDELLA		WASHER	RONDELLE	SCHEIBE	ARANDELLA
18	PMF-000020	RONDELLA	M20	WASHER	RONDELLE	SCHEIBE	ARANDELLA
19	PMF-000012	DADO TENSILOCK	M10	SECURING NUT TENSILOCK	ECROU TENSILOCK	SICHERUNGSMUTTER TENSILOCK	CONTRATUERCA TENSILOCK



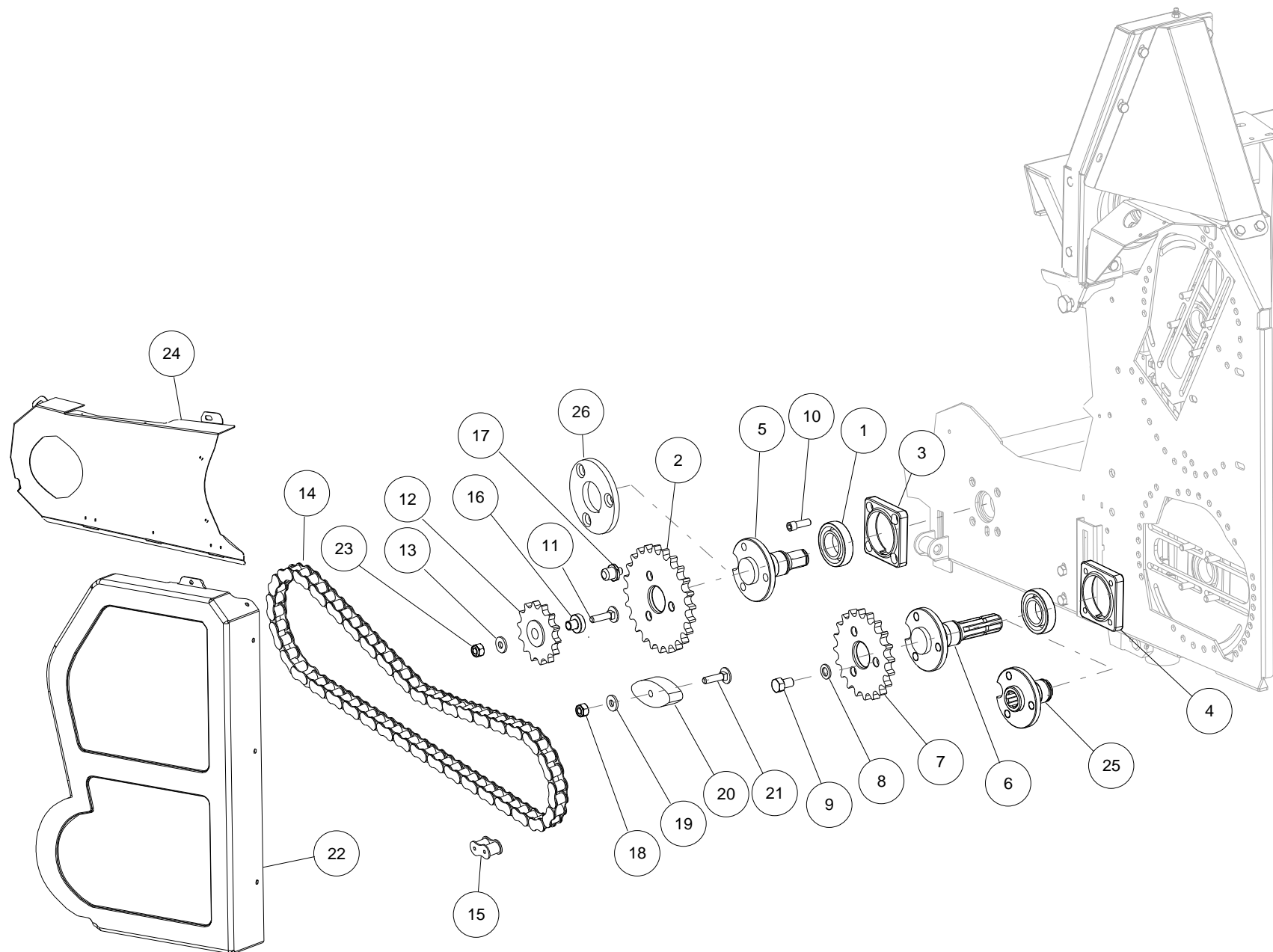
Pos	Code	Descrizione	Note	Description	Description	Beschreibung	Descripcìon
1	M1-20060	SCATOLA DI TRASMISSIONE		GEARBOX	BOITIER D'ENTRAINEMENT	GETRIEBE	CAJA ENGRANAJE
2	PMF-000148	ANELLO DI TENUTA	50X80X8	SEAL RING	BAGUE D'ETANCHEIT	BACKRING	ANILLO
3	PMF-000152	ANELLO ELASTICO	I 80X4	CIRCLIP	CIRCLIP	SICHERUNGSRING	ANILLO ELASTICO
4	PMS-000022	CUSCINETTO A SFERE		BALL BEARING	ROULEMENT A BILLES	KUGELLAGER	RODAMIENTO DE BOLAS
5	M1-20071	DISTANZIALE		SPACER	EPAISSEUR	DISTANZSCHEIBE	ESPACIADOR
6	M1-20064	ALBERO		SHAFT	ARBRE	WELLE	EJE
7	PMT-000045	LINGUETTA	16X10X30	KNOTTER TONGUE	LANGUETTE	KNOTERERZUNGE	LENGUETA
8	M1-20063	CORONA CILINDRICA	Z 45	BEVEL GEAR INNER	ROUE DENTEE	STINRAD	ENGRANAGE
9	PMF-000149	ANELLO DI TENUTA	50X72X8	SEAL RING	BAGUE D'ETANCHEIT	BACKRING	ANILLO
10	M1-20062	SCATOLA DI TRASMISSIONE		GEARBOX	BOITIER D'ENTRAINEMENT	GETRIEBE	CAJA ENGRANAJE
11	M1-20069	COPERTURA		COVER	COUVERTURE	DECKEL	COBERTURA
12	PMF-000134	VITE TE	M10X20	HEXAGONAL SCREW	VIS SIX PANS	SECHSKANTSCHRAUBE	TORNILLO
13	PMF-000116	TAPPO	85X10	COVER	COUVERCLE	DECKEL	COPERTURA
14	PMF-000086	ANELLO ELASTICO	E 85X3	CIRCLIP	CIRCLIP	SICHERUNGSRING	ANILLO ELASTICO
15	PMS-000024	CUSCINETTO A SFERE		BALL BEARING	ROULEMENT A BILLES	KUGELLAGER	RODAMIENTO DE BOLAS
16	M1-20072	SPESSORE REGISTRABILE	65.3X45.3X2.5	SPACER WASHER	RONDELLE ECARTEMENT	DISTANZSCHEIBE	ARANDELLA DISTANCIADORA
17	M1-20066	ALBERO		SHAFT	ARBRE	WELLE	EJE
18	PMF-000151	ANELLO DI TENUTA	50X90X10	SEAL RING	BAGUE D'ETANCHEIT	BACKRING	ANILLO
19	PMF-000124	ANELLO ELASTICO	I 90X3	CIRCLIP	CIRCLIP	SICHERUNGSRING	ANILLO ELASTICO
20	PMS-000031	CUSCINETTO A SFERE		BALL BEARING	ROULEMENT A BILLES	KUGELLAGER	RODAMIENTO DE BOLAS
21	M1-20065	ALBERO		SHAFT	ARBRE	WELLE	EJE
22	02.4440.00	ANELLO ELASTICO	E 50X3	CIRCLIP	CIRCLIP	SICHERUNGSRING	ANILLO ELASTICO
23	M1-20074	SPESSORE REGISTRABILE	50.2X59.8X2.5	SPACER WASHER	RONDELLE ECARTEMENT	DISTANZSCHEIBE	ARANDELLA DISTANCIADORA
24	M1-20067	LIMITATORE		CLUTCH	EMBAYAGE	KUPPLUNG	EMBRAGUE
25	04.4511.00	TAPPO OLIO		SCREW PLUG	BOUCHON FILETEE	VERSCHL SCHAUBE	TAPON ROSCADO



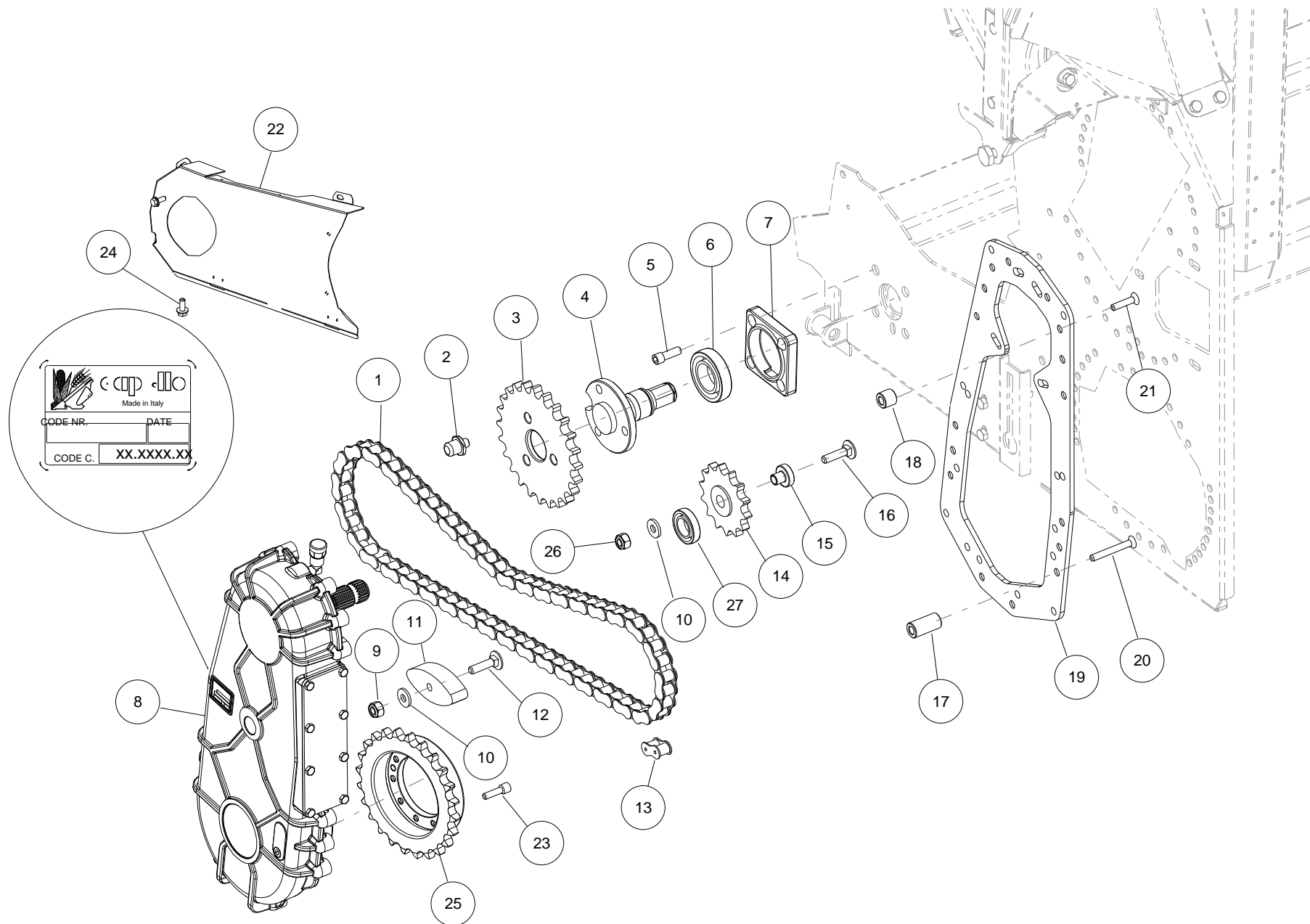
Pos	Code	Descrizione	Note	Description	Description	Beschreibung	Descripción
26	PMF-000153	ANELLO ELASTICO	I 120X4	CIRCLIP	CIRCLIP	SICHERUNGSRING	ANILLO ELASTICO
27	M1-20073	SPESSORE REGISTRABILE	65.3X79.7X1	SPACER WASHER	RONDELLE ECARTEMENT	DISTANZSCHEIBE	ARANDELLA DISTANCIADORA
28	PMF-000154	ANELLO ELASTICO	E 65X2.5	CIRCLIP	CIRCLIP	SICHERUNGSRING	ANILLO ELASTICO
29	PMS-000032	CUSCINETTO A SFERE		BALL BEARING	ROULEMENT A BILLES	KUGELLAGER	RODAMIENTO DE BOLAS
30	PMF-000150	ANELLO DI TENUTA	65X120X10	SEAL RING	BAGUE D'ETANCHEIT	BACKRING	ANILLO
31	M1-20070	DISCO DI SPALLAMENTO		RING	BAGUE	RING	ANILLO
32	M1-20068	BOCCOLA		BUSHING	DOUILLE	BÜCHSE	HEVILLA
33	M1-20075	SPESSORE REGISTRABILE	40.3X46.7X1	SPACER WASHER	RONDELLE ECARTEMENT	DISTANZSCHEIBE	ARANDELLA DISTANCIADORA
34	PMF-000006	ANELLO ELASTICO	I 47X1.75	CIRCLIP	CIRCLIP	SICHERUNGSRING	ANILLO ELASTICO



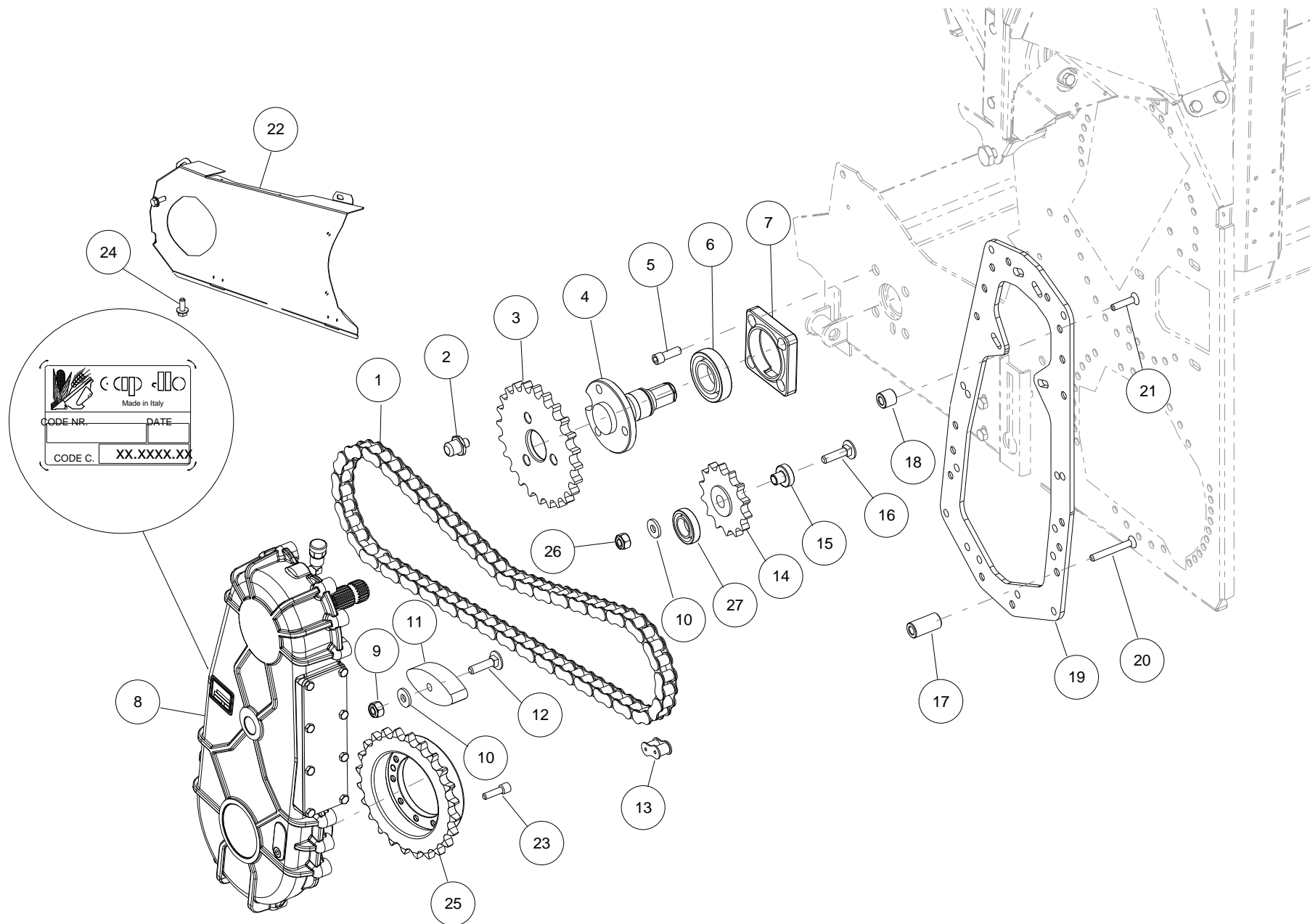
Pos	Code	Descrizione	Note	Description	Description	Beschreibung	Descripció
1	PMS-000007	CUSCINETTO A SFERE		BALL BEARING	ROULEMENT A BILLES	KUGELLAGER	RODAMIENTO DE BOLAS
2	M1-30242	INGRANAGGIO	AGCO/DEUTZ FAHR	GEAR	ROUE DENTEE	STINRAD	ENGRANAJE
2	M1-30243	INGRANAGGIO	CASE IH	GEAR	ROUE DENTEE	STINRAD	ENGRANAJE
2	M1-30243	INGRANAGGIO	NH TX/JD WTS	GEAR	ROUE DENTEE	STINRAD	ENGRANAJE
2	M1-30244	INGRANAGGIO	JD 2258	GEAR	ROUE DENTEE	STINRAD	ENGRANAJE
2	M1-30246	INGRANAGGIO	NH CR/ JAGUAR 900	GEAR	ROUE DENTEE	STINRAD	ENGRANAJE
2	M1-30246	INGRANAGGIO	JAGUAR 800	GEAR	ROUE DENTEE	STINRAD	ENGRANAJE
2	M1-30246	INGRANAGGIO	CX-AFX/CX 6-7000	GEAR	ROUE DENTEE	STINRAD	ENGRANAJE
3	M1-30231	SUPPORTO CUSCINETTO		SUPPORT BEARING	SUPPORT ROULEMENT	BUGELHALTER PENDELKUGELLAGEI	SOPORTE COJINETTE
4	M1-30230	SUPPORTO CUSCINETTO		SUPPORT BEARING	SUPPORT ROULEMENT	BUGELHALTER PENDELKUGELLAGEI	SOPORTE COJINETTE
5	01.0845.00	ALBERO		SHAFT	ARBRE	WELLE	EJE
6	01.0220.00	ALBERO		SHAFT	ARBRE	WELLE	EJE
7	M1-30240	INGRANAGGIO	JAGUAR 800	GEAR	ROUE DENTEE	STINRAD	ENGRANAJE
7	M1-30244	INGRANAGGIO	AGCO/DEUTZ FAHR	GEAR	ROUE DENTEE	STINRAD	ENGRANAJE
7	M1-30244	INGRANAGGIO	NH/ JAGUAR 900	GEAR	ROUE DENTEE	STINRAD	ENGRANAJE
7	M1-30245	INGRANAGGIO	CASE IH/JD WTS	GEAR	ROUE DENTEE	STINRAD	ENGRANAJE
7	M1-30246	INGRANAGGIO	NH TX/JD 2258	GEAR	ROUE DENTEE	STINRAD	ENGRANAJE
8	PMF-000437	RONDELLA	16X28X3	WASHER	RONDELLE	SCHEIBE	ARANDELLA
9	PMF-000070	VITE TE	M16X25	HEXAGONAL SCREW	VIS SIX PANS	SECHSKANTSCHRAUBE	TORNILLO
10	PMF-000184	VITE TCEI	M12X35	SOCKET HEAD SCREW	VIS CYLINDRIQUE	ZYLINDERSCHRAUBE	TORNILLO
11	PMF-000388	VITE TBQS	M14X60	COACH SCREW	VIS A TETE BOMBEE	FLACHRUNDSCHRAUBE	TORNILLO
12	01.0439.00	TENDICATENA	ASA 80	CHAIN TENSIONER	TENSION CHAINE	KETTENSANDBLOCK ANTRIEB	SENSOR DE CADENA
13	02.1035.00	RONDELLA	15X30X3	WASHER	RONDELLE	SCHEIBE	ARANDELLA
14	03.4150.00	CATENA RIBADITA	NEW HOLLAND CR	ROLLER CHAIN	CHAINE A ROULEAUX	KETTE	CADENA
14	03.4191.00	CATENA RIBADITA	DEUTZ FAHR/JAGUAR 800	ROLLER CHAIN	CHAINE A ROULEAUX	KETTE	CADENA



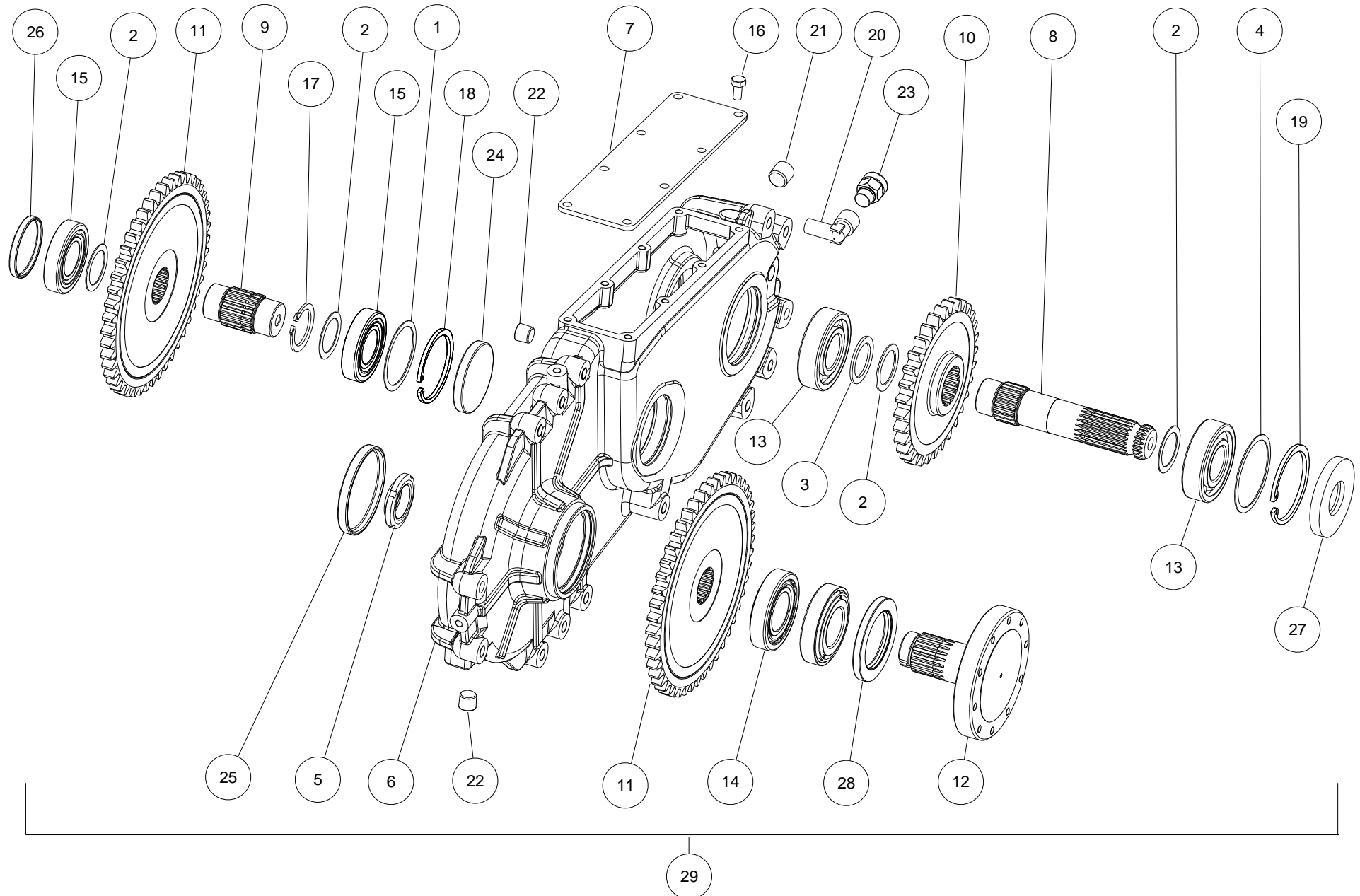
Pos	Code	Descrizione	Note	Description	Description	Beschreibung	Descripcìon
14	03.4238.00	CATENA RIBADITA	NEW HOLLAND TX	ROLLER CHAIN	CHAINE A ROULEAUX	KETTE	CADENA
14	03.4241.00	CATENA RIBADITA	JD WTS	ROLLER CHAIN	CHAINE A ROULEAUX	KETTE	CADENA
14	03.4242.00	CATENA RIBADITA	NH CX 6-7000	ROLLER CHAIN	CHAINE A ROULEAUX	KETTE	CADENA
14	03.4243.00	CATENA RIBADITA	AGCO/ CX-AFX/JD 2258	ROLLER CHAIN	CHAINE A ROULEAUX	KETTE	CADENA
14	M1-30547	CATENA RIBADITA	CASE IH	ROLLER CHAIN	CHAINE A ROULEAUX	KETTE	CADENA
15	PMT-000230	MAGLIA DI GIUNZIONE		LOCKING LINK	MAILLON DE RACCORD	VERSCHLUSSGLIED	ESLABON DE CADENA
16	01.0448.00	TENDICATENA		CHAIN TENSIONER	TENSION CHAINE	KETTENSANNBLOCK ANTRIEB	TENSOR DE CADENA
17	M1-30221	PIOLO		JOINT PIN	PIVOT	ZAPFEN	PERNO
18	PMF-000024	DADO AUTOBLOCCANTE	M12	SECURING NUT	ECROU INDESSERRAB	SICHERUNGSMUTTER	CONTRATUERCA
19	M1-80124	RONDELLA	12X30X3	WASHER	RONDELLE	SCHEIBE	ARANDELLA
20	S1-30027	GUIDACATENA		CHAIN GUIDE	GUIDE CHAINE	KETTENFUEHRUNG	GUIA PARA CADENA
21	PMF-000032	VITE TBQS	M12X50	COACH SCREW	VIS A TETE BOMBEE	FLACHRUNDSCHRAUBE	TORNILLO
22	03.2132.00	CARTER	RIGHT	GUARD	GARANT	SCHUTZ	PROTECCION
22	03.2133.00	CARTER	LEFT	GUARD	GARANT	SCHUTZ	PROTECCION
23	PMF-000031	DADO AUTOBLOCCANTE	M14	SECURING NUT	ECROU INDESSERRAB	SICHERUNGSMUTTER	CONTRATUERCA
24	01.1060.00	CARTER	RIGHT	GUARD	GARANT	SCHUTZ	PROTECCION
24	01.1061.00	CARTER	LEFT	GUARD	GARANT	SCHUTZ	PROTECCION
25	01.2205.00	MOZZO		HUB	MOYEU	NABE	CUBO
26	01.2272.00	ANELLO PER MOTO ESTERNO		STEEL RING	BAGUE EN ACIER	RING	ANILLO



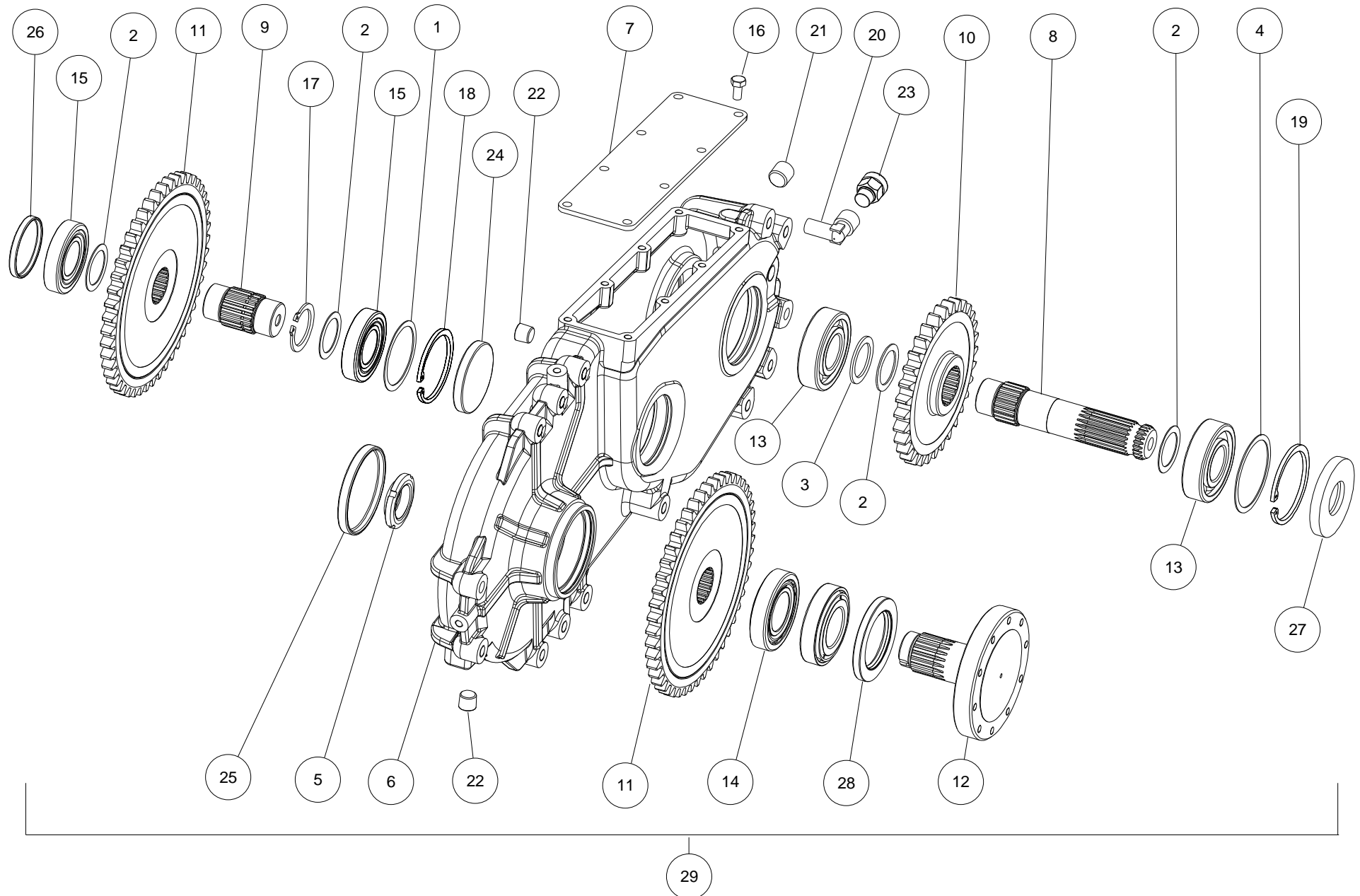
Pos	Code	Descrizione	Note	Description	Description	Beschreibung	Descripció
1	03.4148.00	CATENA RIBADITA	CLAAS LEXION	ROLLER CHAIN	CHAINE A ROULEAUX	KETTE	CADENA
1	03.4191.00	CATENA RIBADITA	DEUTZ FAHR/MASSEY F.	ROLLER CHAIN	CHAINE A ROULEAUX	KETTE	CADENA
1	03.4191.00	CATENA RIBADITA	LAVERDA	ROLLER CHAIN	CHAINE A ROULEAUX	KETTE	CADENA
1	03.4244.00	CATENA RIBADITA	CLAAS MONTANA	ROLLER CHAIN	CHAINE A ROULEAUX	KETTE	CADENA
1	M1-30547	CATENA RIBADITA	CLAAS MEDION	ROLLER CHAIN	CHAINE A ROULEAUX	KETTE	CADENA
2	M1-30221	PIOLO		JOINT PIN	PIVOT	ZAPFEN	PERNO
3	M1-30242	INGRANAGGIO	LAVERDA	GEAR	ROUE DENTEE	STINRAD	ENGRANAJE
3	M1-30242	INGRANAGGIO	DEUTZ FAHR/MASSEY F.	GEAR	ROUE DENTEE	STINRAD	ENGRANAJE
3	M1-30244	INGRANAGGIO	CLAAS	GEAR	ROUE DENTEE	STINRAD	ENGRANAJE
4	01.0845.00	ALBERO		SHAFT	ARBRE	WELLE	EJE
5	PMF-000184	VITE TCEI	M12X35	SOCKET HEAD SCREW	VIS CYLINDRIQUE	ZYLINDERSCHRAUBE	TORNILLO
6	PMS-000007	CUSCINETTO A SFERE		BALL BEARING	ROULEMENT A BILLES	KUGELLAGER	RODAMIENTO DE BOLAS
7	M1-30231	SUPPORTO CUSCINETTO		SUPPORT BEARING	SUPPORT ROULEMENT	BUGELHALTER PENDELKUGELLAGEI	SOPORTE COJINETTE
8	03.4310.01	SCATOLA LATERALE	CLAAS	GEARBOX	BOITIER D'ENTRAINEMENT	GETRIEBE	CAJA DE ENGRANAJES
8	03.4320.01	SCATOLA LATERALE	DEUTZ FAHR/MASSEY F.	GEARBOX	BOITIER D'ENTRAINEMENT	GETRIEBE	CAJA DE ENGRANAJES
8	03.4325.00	SCATOLA LATERALE	LAVERDA	GEARBOX	BOITIER D'ENTRAINEMENT	GETRIEBE	CAJA DE ENGRANAJES
9	PMF-000024	DADO AUTOBLOCCANTE	M12	SECURING NUT	ECROU INDESSERRAB	SICHERUNGSMUTTER	CONTRATUERCA
10	02.1035.00	RONDELLA	10X30X3	WASHER	RONDELLE	SCHEIBE	ARANDELLA
11	S1-30027	GUIDACATENA		CHAIN GUIDE	GUIDE CHAINE	KETTENFUEHRUNG	GUIA PARA CADENA
12	PMF-000032	VITE TBQS	M12X50	COACH SCREW	VIS A TETE BOMBEE	FLACHRUNDSCHRAUBE	TORNILLO
13	PMT-000230	MAGLIA DI GIUNZIONE		LOCKING LINK	MAILLON DE RACCORD	VERSCHLUSSGLIED	ESLABON DE CADENA
14	01.0439.00	TENDICATENA		CHAIN TENSIONER	TENSION CHAINE	KETTENSANDBLOCK ANTRIEB	SENSOR DE CADENA
15	01.0448.00	TENDICATENA		CHAIN TENSIONER	TENSION CHAINE	KETTENSANDBLOCK ANTRIEB	SENSOR DE CADENA
16	PMF-000388	VITE TBQS	M14X60	COACH SCREW	VIS A TETE BOMBEE	FLACHRUNDSCHRAUBE	TORNILLO
17	01.1206.00	DISTANZIALE		SPACER	EPAISSEUR	DISTANZSCHEIBE	ESPACIADOR



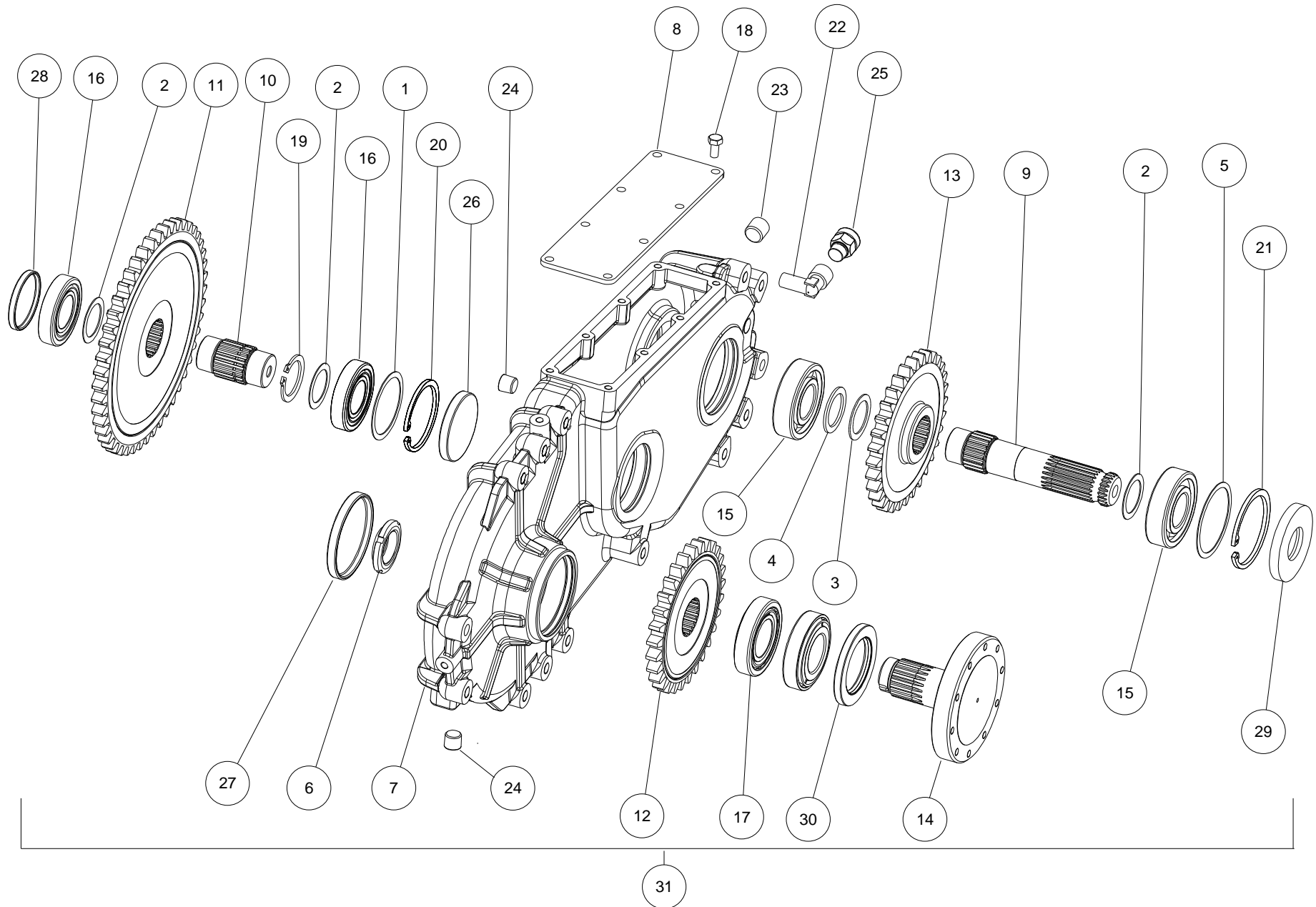
Pos	Code	Descrizione	Note	Description	Description	Beschreibung	Descripcìon
18	01.1207.00	DISTANZIALE		SPACER	EPAISSEUR	DISTANZSCHEIBE	ESPACIADOR
19	01.2262.00	PIASTRA	(RIGHT) LEXION MONTAN/	PLATE	PLAQUE	PLATTE	PLACA
19	01.2262.00	PIASTRA	(RIGHT) DEUTZ F. BALANCE	PLATE	PLAQUE	PLATTE	PLACA
19	01.2263.00	PIASTRA	(LEFT) DEUTZ F. BALANCE	PLATE	PLAQUE	PLATTE	PLACA
19	01.2263.00	PIASTRA	(LEFT) LEXION MONTANA	PLATE	PLAQUE	PLATTE	PLACA
19	01.2267.00	PIASTRA	LAVERDA	PLATE	PLAQUE	PLATTE	PLACA
19	01.2268.00	PIASTRA	CLAAS	PLATE	PLAQUE	PLATTE	PLACA
19	01.2268.00	PIASTRA	DEUTZ FAHR/MASSEY F.	PLATE	PLAQUE	PLATTE	PLACA
20	PMF-000350	VITE TSEI	M12X70	COUNTERSUNK BOLT	VIS A TETE FRAISEE	SENKSCRAUBE	TORNILLO
21	PMF-000190	VITE TSEI	M12X45	COUNTERSUNK SCREW	VIS A TETE FRAISEE	SENKSCRAUBE	TORNILLO
22	01.1060.00	CARTER	RIGHT	GUARD	GARANT	SCHUTZ	PROTECCION
22	01.1061.00	CARTER	LEFT	GUARD	GARANT	SCHUTZ	PROTECCION
23	PMF-000140	VITE TCEI	M8X20	SOCKET HEAD SCREW	VIS CYLINDRIQUE	ZYLINDERSCHRAUBE	TORNILLO
24	PMF-000045	VITE TENSILOCK	M12X20	SECURING SCREW TENSILOCK	VIS TENSILOCK	SCHRAUBE TENSILOCK	TORNILLO TENSILOCK
25	03.4901.00	INGRANAGGIO	DEUTZ FAHR	GEAR	ROUE DENTEE	STINRAD	ENGRANAJE
25	03.4901.00	INGRANAGGIO	MASSEY FERGUSON	GEAR	ROUE DENTEE	STINRAD	ENGRANAJE
25	03.4901.00	INGRANAGGIO	LEXION/MEDION/MEGA	GEAR	ROUE DENTEE	STINRAD	ENGRANAJE
25	03.4902.00	INGRANAGGIO	LAVERDA	GEAR	ROUE DENTEE	STINRAD	ENGRANAJE
26	PMF-000031	DADO AUTOBLOCCANTE	M14	SECURING NUT	ECROU INDESSERRAB	SICHERUNGSMUTTER	CONTRATUERCA
27	02.2540.00	CUSCINETTO		BEARING	ROULEMENT	PENDELKUGELLAGER	COJINETE



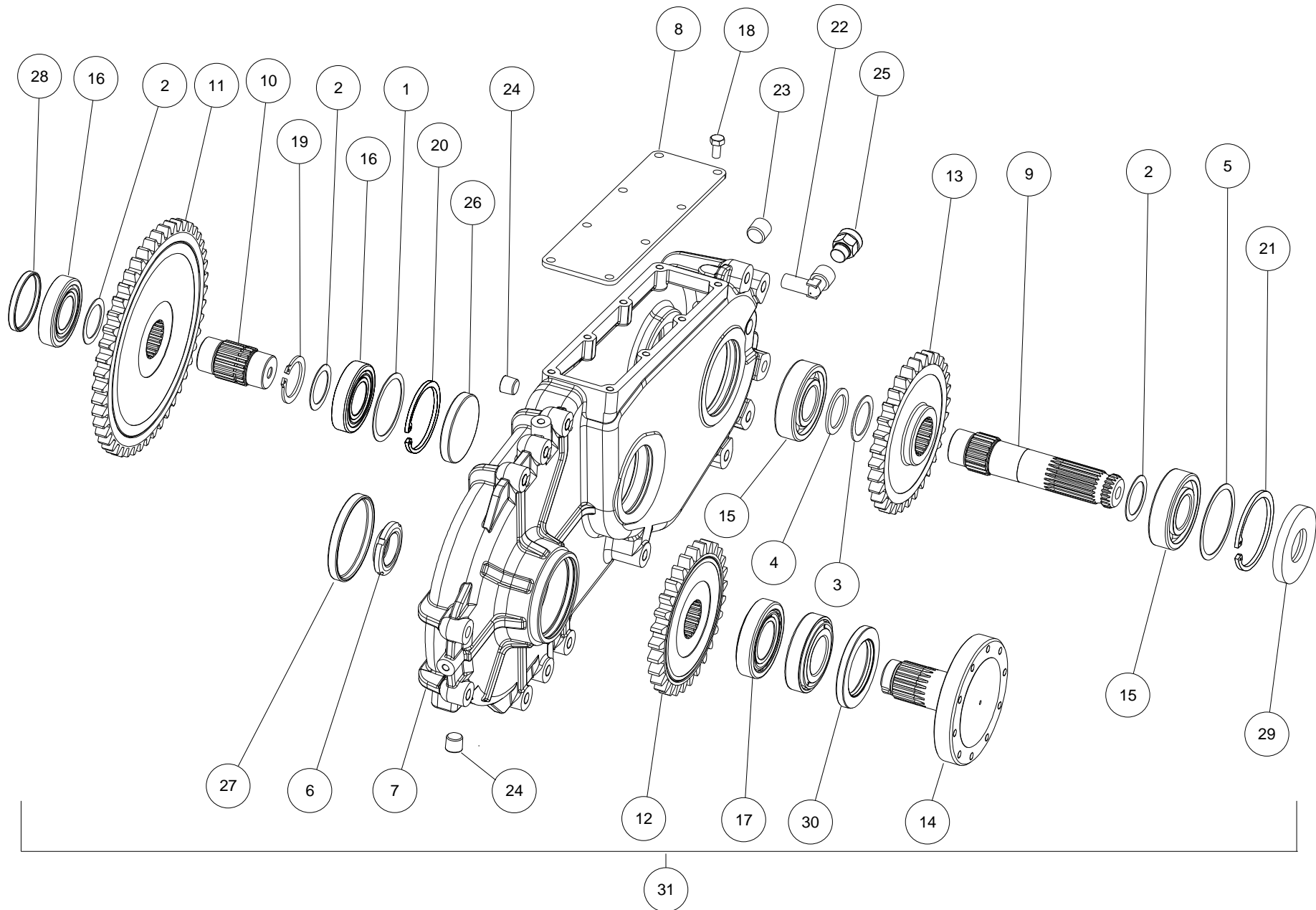
Pos	Code	Descrizione	Note	Description	Description	Beschreibung	Descripcìon
1	PMF-000586	SPESSORE REGISTRABILE	60.3X71.7	SPACER WASHER	RONDELLE ECARTEMENT	DISTANZSCHEIBE	ARANDELLA DISTANCIADORA
2	M1-80158	SPESSORE REGISTRABILE	35.3X48.0X1	SPACER WASHER	RONDELLE ECARTEMENT	DISTANZSCHEIBE	ARANDELLA DISTANCIADORA
3	04.5303.00	SPESSORE REGISTRABILE	35.3X48X2.5	SPACER WASHER	RONDELLE ECARTEMENT	DISTANZSCHEIBE	ARANDELLA DISTANCIADORA
4	M1-80200	SPESSORE REGISTRABILE	69X79.9X0.5	SPACER WASHER	RONDELLE ECARTEMENT	DISTANZSCHEIBE	ARANDELLA DISTANCIADORA
4	M1-80201	SPESSORE REGISTRABILE	69X79.9X0.4	SPACER WASHER	RONDELLE ECARTEMENT	DISTANZSCHEIBE	ARANDELLA DISTANCIADORA
4	M1-80202	SPESSORE REGISTRABILE	69X79.9X0.3	SPACER WASHER	RONDELLE ECARTEMENT	DISTANZSCHEIBE	ARANDELLA DISTANCIADORA
5	E1-80117	GHIERA DI SERRAGGIO	M35X1.5	LOCKNUT	FRETTE	METALLRING	TUERCA DE SEGURIDAD
6	04.5340.00	SEMISCATOLA		DEMI-BOITEIR	HALF HOUSING	GEHAUSEHALFTE	MITAD DEL LA CAJA
7	04.5304.00	COPERCHIO		COVER	COUVERTURE	DECKEL	COBERTURA
8	04.5305.00	ALBERO		SHAFT	ARBRE	WELLE	EJE
9	04.5306.00	ALBERO	40X36	SHAFT	ARBRE	WELLE	EJE
10	M1-30505	CORONA	Z30 M5	GEAR	ROUE DENTEE	STINRAD	ENGRANAGE
11	04.5336.00	CORONA	Z42 M5	GEAR	ROUE DENTEE	STINRAD	ENGRANAJE
12	04.4223.00	CORONA		GEAR	ROUE DENTEE	STINRAD	ENGRANAJE
13	PMS-000021	CUSCINETTO A SFERE		BALL BEARING	ROULEMENT A BILLES	KUGELLAGER	RODAMIENTO DE BOLAS
14	04.4225.00	CUSCINETTO A RULLI		PALIER A ROULEAUX	ROLLER BEARING	SCHRAEGROLLENLAGER	RODAMIENTO DE RODILLOS
15	PMS-000053	CUSCINETTO		BEARING	ROULEMENT	PENDELKUGELLAGER	COJINETE
16	PMF-000587	VITE TE	M8X16	HEXAGONAL SCREW	VIS SIX PANS	SECHSKANTSCHRAUBE	TORNILLO
17	PMF-000123	ANELLO ELASTICO	E 40X2.5	CIRCLIP	CIRCLIP	SICHERUNGSRING	ANILLO ELASTICO
18	PMF-000588	ANELLO ELASTICO	I 72X3	CIRCLIP	CIRCLIP	SICHERUNGSRING	ANILLO ELASTICO
19	PMF-000152	ANELLO ELASTICO	I 80X4	CIRCLIP	CIRCLIP	SICHERUNGSRING	ANILLO ELASTICO
20	PO-000259	RACCORDO	3/8"	CONNECTOR	RACCORD	ANSCHLUSSSTUTZEN	RACOR
21	PO-000052	TAPPO SFIATO	1/2"	SCREW PLUG	BOUCHON FILETEE	VERSCHL SCHAUBE	TAPON ROSCADO
22	PO-000020	TAPPO	3/8"	COVER	COUVERCLE	DECKEL	COPERTURA
23	PO-000083	TAPPO	3/8"	COVER	COUVERCLE	DECKEL	COPERTURA



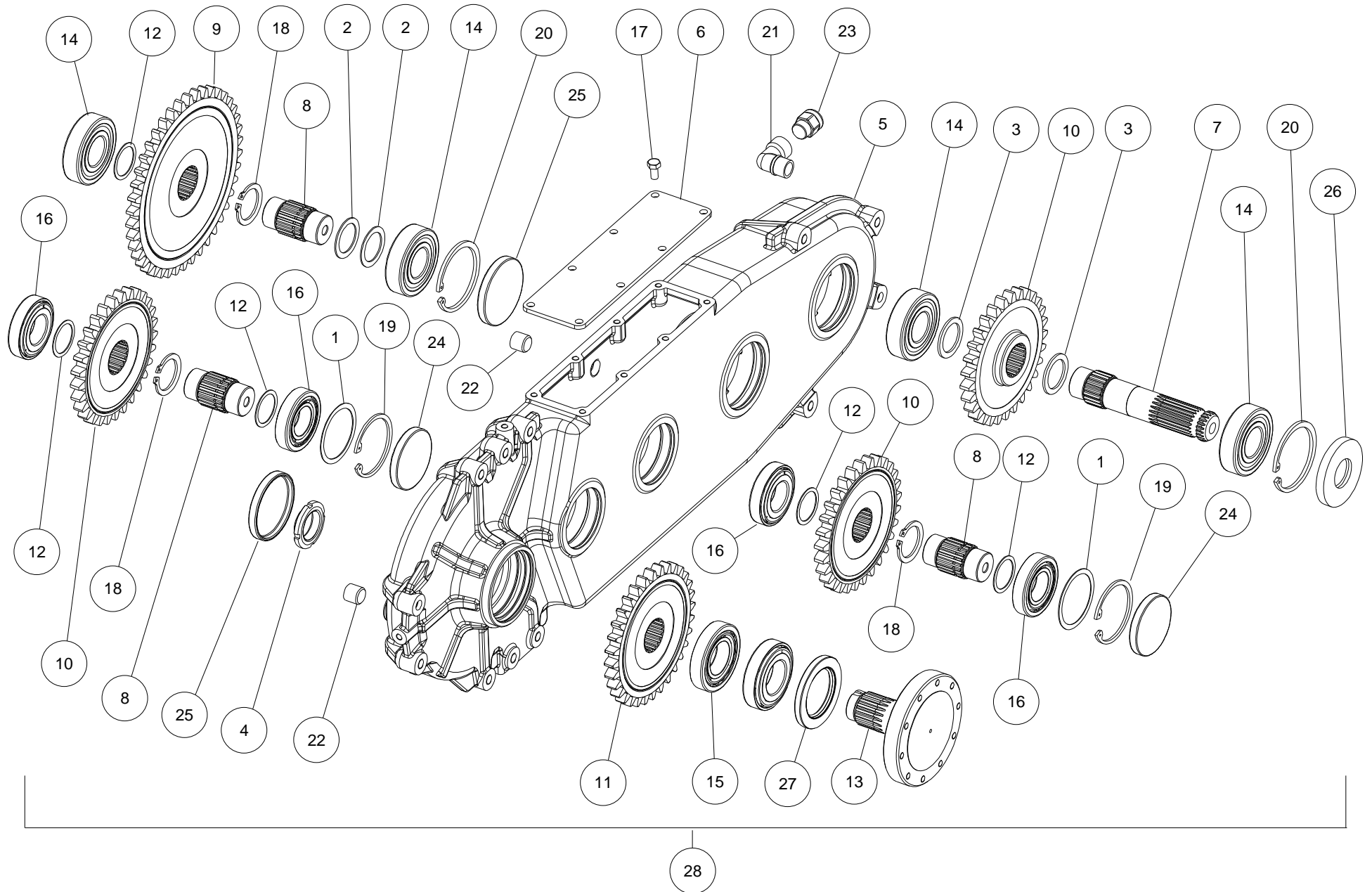
Pos	Code	Descrizione	Note	Description	Description	Beschreibung	Descripcìon
24	PMG-000020	TAPPO	72X10	COVER	COUVERCLE	DECKEL	COPERTURA
25	PMF-000439	TAPPO	90X10	COVER	COUVERCLE	DECKEL	COPERTURA
26	PMF-000584	TAPPO	62X7	COVER	COUVERCLE	DECKEL	COPERTURA
27	04.4201.00	ANELLO DI TENUTA	35X80X10	SEAL RING	BAGUE D'ETANCHEIT	BACKRING	ANILLO
28	04.4224.00	ANELLO DI TENUTA	55X85X8	SEAL RING	BAGUE D'ETANCHEIT	BACKRING	ANILLO
29	03.4310.01	SCATOLA LATERALE		GEARBOX	BOITIER D'ENTRAINEMENT	GETRIEBE	CAJA DE ENGRANAJES



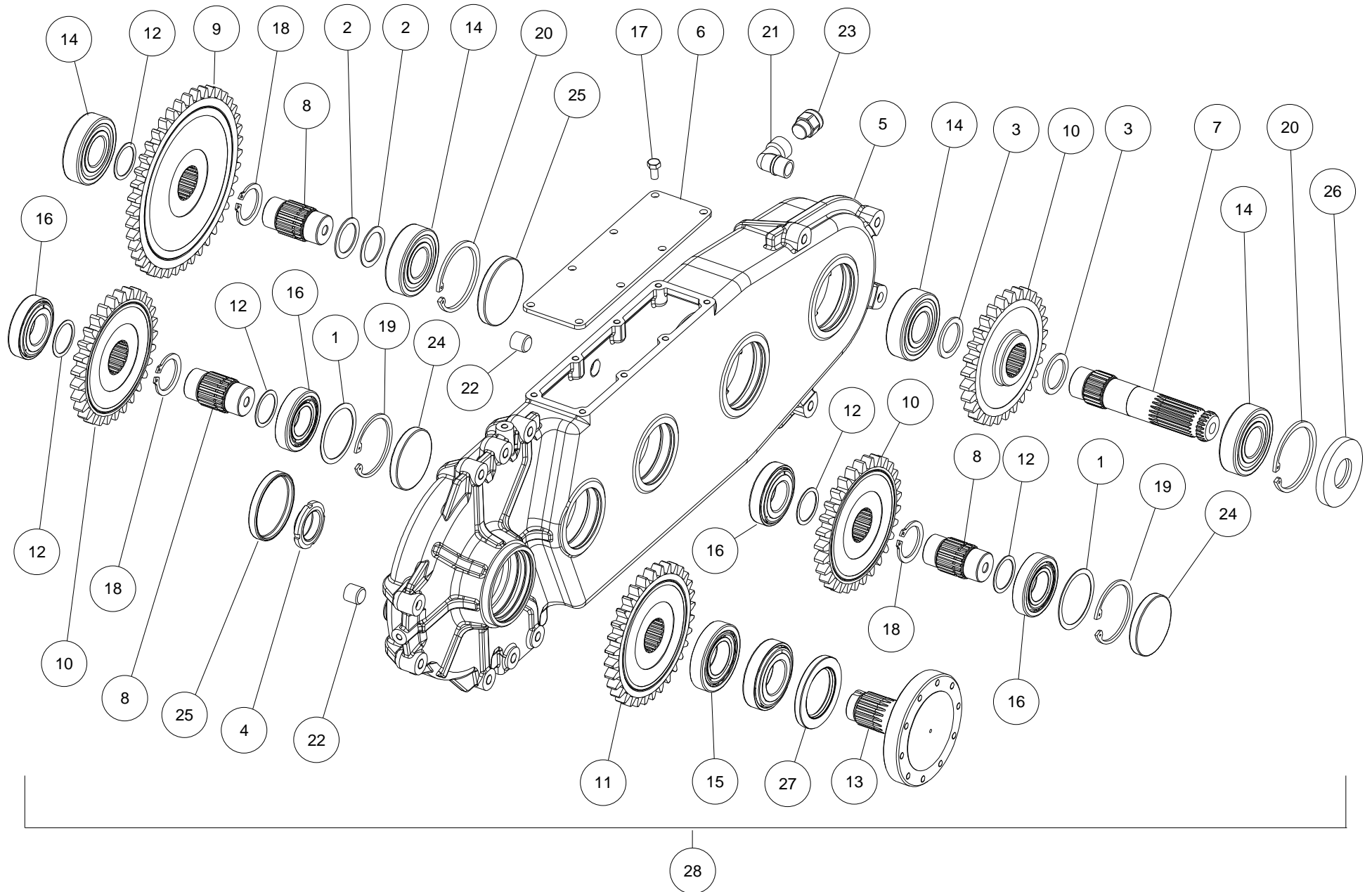
Pos	Code	Descrizione	Note	Description	Description	Beschreibung	Descripción
1	PMF-000586	SPESSORE REGISTRABILE	60.3X71.7	SPACER WASHER	RONDELLE ECARTEMENT	DISTANZSCHEIBE	ARANDELLA DISTANCIADORA
2	M1-80158	SPESSORE REGISTRABILE	35.3X48.0X1	SPACER WASHER	RONDELLE ECARTEMENT	DISTANZSCHEIBE	ARANDELLA DISTANCIADORA
3	04.5302.00	SPESSORE REGISTRABILE	35.3X48X1.5	SPACER WASHER	RONDELLE ECARTEMENT	DISTANZSCHEIBE	ARANDELLA DISTANCIADORA
4	04.5303.00	SPESSORE REGISTRABILE	35.3X48X2.5	SPACER WASHER	RONDELLE ECARTEMENT	DISTANZSCHEIBE	ARANDELLA DISTANCIADORA
5	M1-80200	SPESSORE REGISTRABILE	69X79.9X0.5	SPACER WASHER	RONDELLE ECARTEMENT	DISTANZSCHEIBE	ARANDELLA DISTANCIADORA
5	M1-80201	SPESSORE REGISTRABILE	69X79.9X0.4	SPACER WASHER	RONDELLE ECARTEMENT	DISTANZSCHEIBE	ARANDELLA DISTANCIADORA
5	M1-80202	SPESSORE REGISTRABILE	69X79.9X0.3	SPACER WASHER	RONDELLE ECARTEMENT	DISTANZSCHEIBE	ARANDELLA DISTANCIADORA
6	E1-80117	GHIERA DI SERRAGGIO	M35X1.5	LOCKNUT	FRETTE	METALLRING	TUERCA DE SEGURIDAD
7	04.5341.00	SEMISCATOLA		DEMI-BOITEIR	HALF HOUSING	GEHAUSEHALFTE	MITAD DEL LA CAJA
8	04.5304.00	COPERCHIO		COVER	COUVERTURE	DECKEL	COBERTURA
9	04.5305.00	ALBERO		SHAFT	ARBRE	WELLE	EJE
10	04.5306.00	ALBERO	40X36	SHAFT	ARBRE	WELLE	EJE
11	04.5337.00	CORONA	Z48 M5	GEAR	ROUE DENTEE	STINRAD	ENGRANAJE
12	04.5339.00	CORONA	Z29 M5	GEAR	ROUE DENTEE	STINRAD	ENGRANAJE
13	04.5338.00	CORONA	Z32 M5	GEAR	ROUE DENTEE	STINRAD	ENGRANAJE
14	04.4223.00	CORONA		GEAR	ROUE DENTEE	STINRAD	ENGRANAJE
15	PMS-000021	CUSCINETTO A SFERE		BALL BEARING	ROULEMENT A BILLES	KUGELLAGER	RODAMIENTO DE BOLAS
16	04.4225.00	CUSCINETTO A RULLI		PALIER A ROULEAUX	ROLLER BEARING	SCHRAEGROLLENLAGER	RODAMIENTO DE RODILLOS
17	PMS-000053	CUSCINETTO		BEARING	ROULEMENT	PENDELKUGELLAGER	COJINETE
18	PMF-000587	VITE TE	M8X16	HEXAGONAL SCREW	VIS SIX PANS	SECHSKANTSCHRAUBE	TORNILLO
19	PMF-000123	ANELLO ELASTICO	E 40X2.5	CIRCLIP	CIRCLIP	SICHERUNGSRING	ANILLO ELASTICO
20	PMF-000588	ANELLO ELASTICO	I 72X3	CIRCLIP	CIRCLIP	SICHERUNGSRING	ANILLO ELASTICO
21	PMF-000152	ANELLO ELASTICO	I 80X4	CIRCLIP	CIRCLIP	SICHERUNGSRING	ANILLO ELASTICO
22	PO-000259	RACCORDO	3/8"	CONNECTOR	RACCORD	ANSCHLUSSSTUTZEN	RACOR
23	PO-000052	TAPPO SFIATO	1/2"	SCREW PLUG	BOUCHON FILETEE	VERSCHL SCHAUBE	TAPON ROSCADO



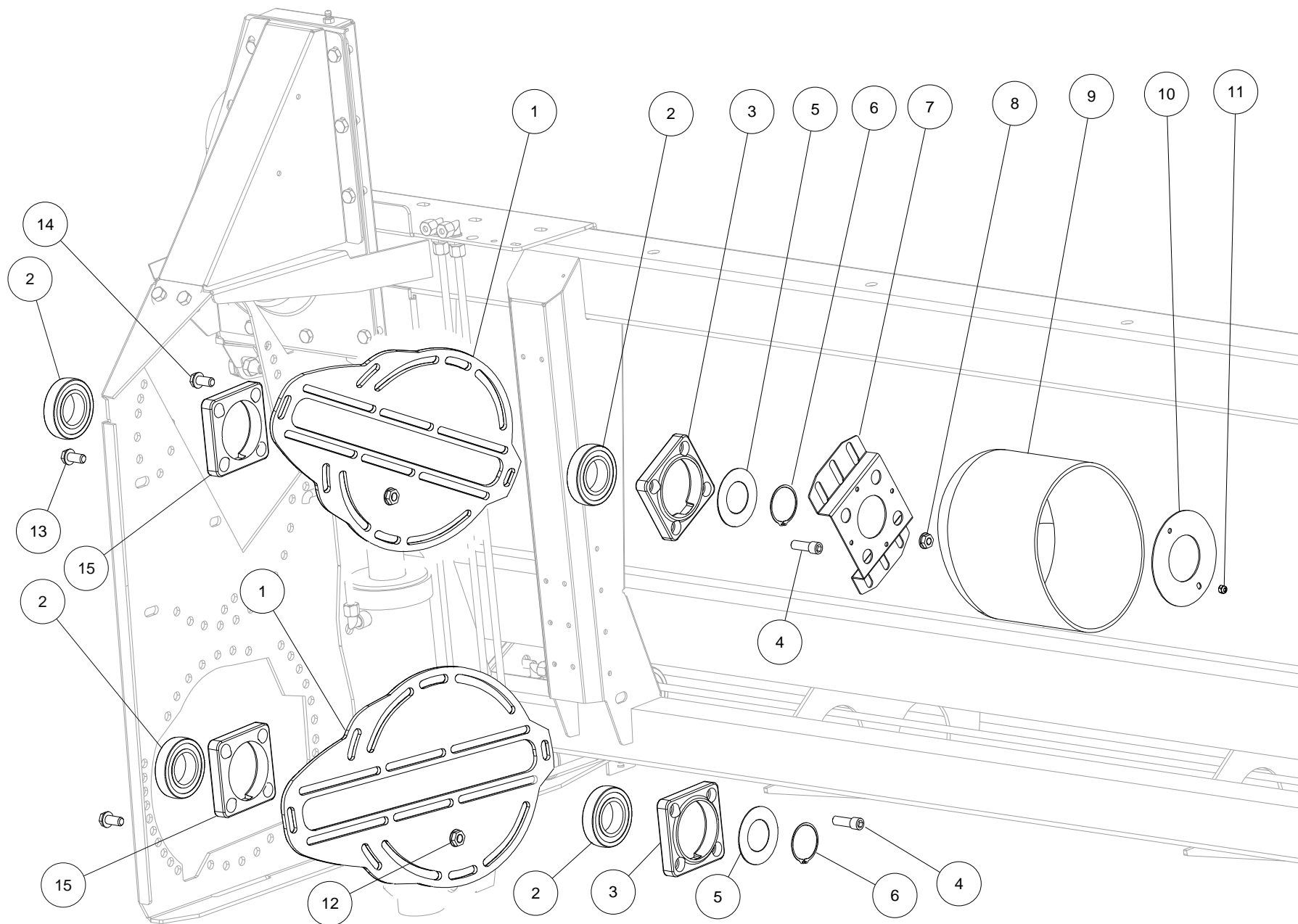
Pos	Code	Descrizione	Note	Description	Description	Beschreibung	Descripcìon
24	PO-000020	TAPPO	3/8"	COVER	COUVERCLE	DECKEL	COPERTURA
25	PO-000083	TAPPO	3/8"	COVER	COUVERCLE	DECKEL	COPERTURA
26	PMG-000020	TAPPO	72X10	COVER	COUVERCLE	DECKEL	COPERTURA
27	PMF-000439	TAPPO	90X10	COVER	COUVERCLE	DECKEL	COPERTURA
28	PMF-000584	TAPPO	62X7	COVER	COUVERCLE	DECKEL	COPERTURA
29	04.4201.00	ANELLO DI TENUTA	35X80X10	SEAL RING	BAGUE D'ETANCHEIT	BACKRING	ANILLO
30	04.4224.00	ANELLO DI TENUTA	55X85X8	SEAL RING	BAGUE D'ETANCHEIT	BACKRING	ANILLO
31	03.4320.01	SCATOLA LATERALE		GEARBOX	BOITIER D'ENTRAINEMENT	GETRIEBE	CAJA DE ENGRANAJES



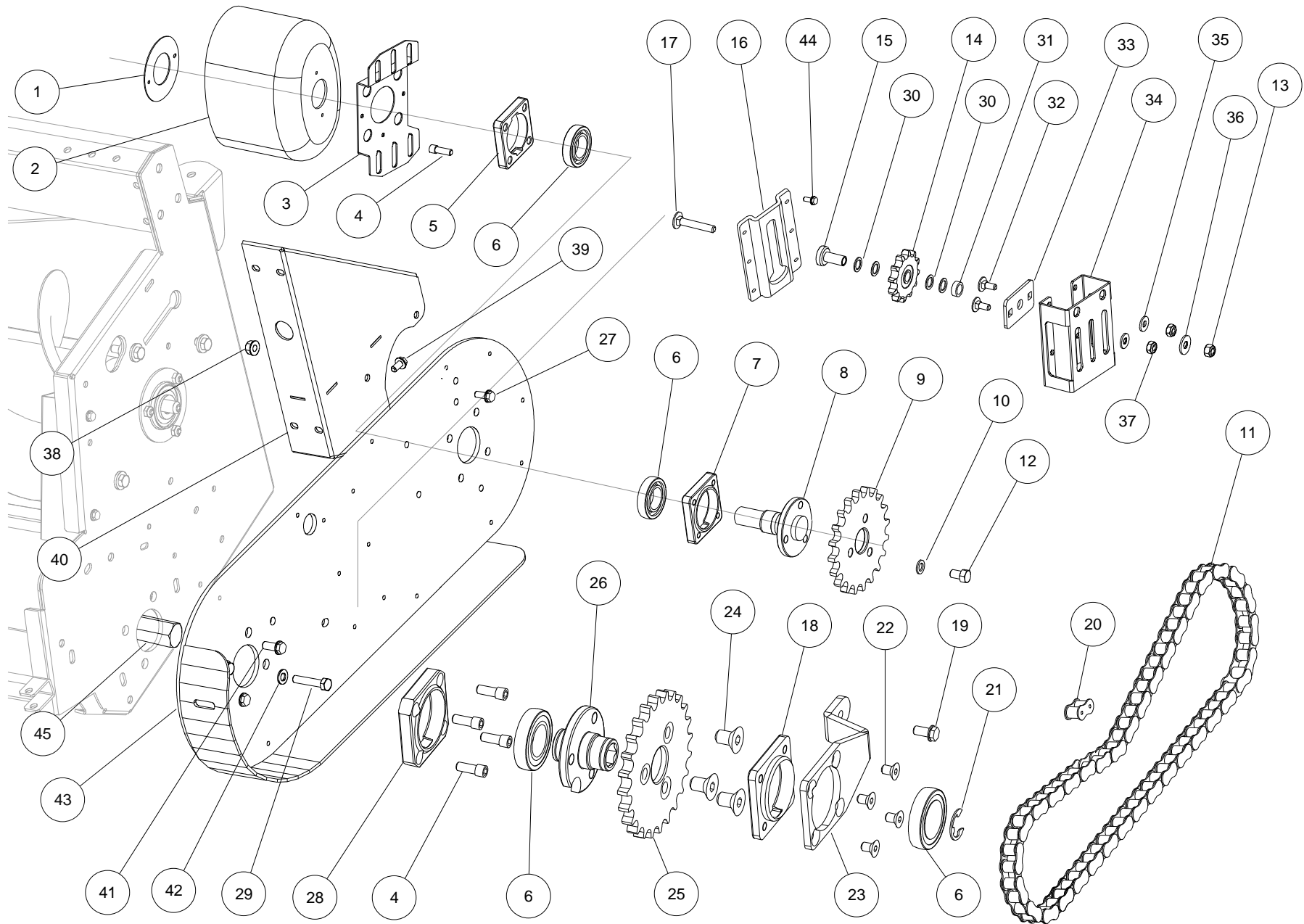
Pos	Code	Descrizione	Note	Description	Description	Beschreibung	Descripcìon
1	PMF-000586	SPESSORE REGISTRABILE	60.3X71.7	SPACER WASHER	RONDELLE ECARTEMENT	DISTANZSCHEIBE	ARANDELLA DISTANCIADORA
2	M1-80158	SPESSORE REGISTRABILE	35.3X48.0X1	SPACER WASHER	RONDELLE ECARTEMENT	DISTANZSCHEIBE	ARANDELLA DISTANCIADORA
3	04.5303.00	SPESSORE REGISTRABILE	35.3X48X2.5	SPACER WASHER	RONDELLE ECARTEMENT	DISTANZSCHEIBE	ARANDELLA DISTANCIADORA
4	E1-80117	GHIERA DI SERRAGGIO	M35X1.5	LOCKNUT	FRETTE	METALLRING	TUERCA DE SEGURIDAD
5	03.5044.00	SEMISCATOLA	69X79.9X0.5	DEMI-BOITEIR	HALF HOUSING	GEHAUSEHALFTE	MITAD DEL LA CAJA
6	04.5304.00	COPERCHIO		COVER	COUVERTURE	DECKEL	COBERTURA
7	04.5305.00	ALBERO		SHAFT	ARBRE	WELLE	EJE
8	04.5306.00	ALBERO	40X36	SHAFT	ARBRE	WELLE	EJE
9	04.5336.00	CORONA	Z42 M5	GEAR	ROUE DENTEE	STINRAD	ENGRANAJE
10	04.5339.00	CORONA	Z29 M5	GEAR	ROUE DENTEE	STINRAD	ENGRANAJE
11	04.5338.00	CORONA	Z32 M5	GEAR	ROUE DENTEE	STINRAD	ENGRANAJE
12	03.5045.00	SPESSORE REGISTRABILE	35.2X43.8X1	SPACER WASHER	RONDELLE	DISTANZSCHEIBE	ARANDELLA DISTANCIADORA
13	04.4223.00	CORONA		GEAR	ROUE DENTEE	STINRAD	ENGRANAJE
14	PMS-000021	CUSCINETTO A SFERE		BALL BEARING	ROULEMENT A BILLES	KUGELLAGER	RODAMIENTO DE BOLAS
15	04.4225.00	CUSCINETTO A RULLI		PALIER A ROULEAUX	ROLLER BEARING	SCHRAEGROLLENLAGER	RODAMIENTO DE RODILLOS
16	PMS-000053	CUSCINETTO		BEARING	ROULEMENT	PENDELKUGELLAGER	COJINETE
17	PMF-000587	VITE TE	M8X16	HEXAGONAL SCREW	VIS SIX PANS	SECHSKANTSCHRAUBE	TORNILLO
18	PMF-000123	ANELLO ELASTICO	E 40X2.5	CIRCLIP	CIRCLIP	SICHERUNGSRING	ANILLO ELASTICO
19	PMF-000588	ANELLO ELASTICO	I 72X3	CIRCLIP	CIRCLIP	SICHERUNGSRING	ANILLO ELASTICO
20	PMF-000152	ANELLO ELASTICO	I 80X4	CIRCLIP	CIRCLIP	SICHERUNGSRING	ANILLO ELASTICO
21	PO-000252	RACCORDO	1/2"	CONNECTOR	RACCORD	ANSCHLUSSSTUTZEN	RACOR
22	PO-000052	TAPPO SFIATO	1/2"	SCREW PLUG	BOUCHON FILETEE	VERSCHL SCHAUBE	TAPON ROSCADO
23	PO-000034	TAPPO SFIATO	1/2"	SCREW PLUG	BOUCHON FILETEE	VERSCHL SCHAUBE	TAPON ROSCADO
24	PMG-000020	TAPPO	72X10	COVER	COUVERCLE	DECKEL	COPERTURA
25	PMF-000224	TAPPO	80X10	COVER	COUVERCLE	DECKEL	COPERTURA



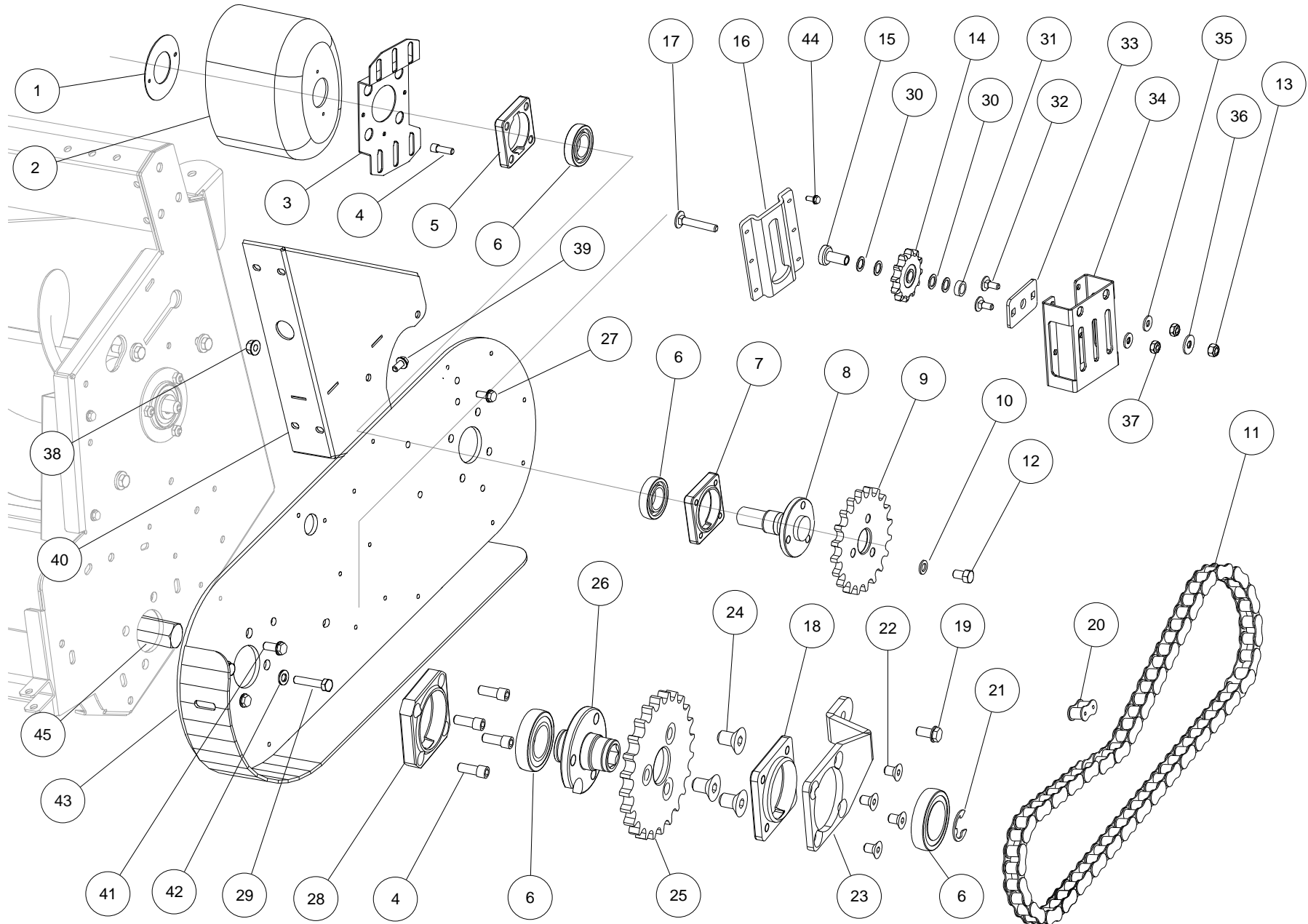
Pos	Code	Descrizione	Note	Description	Description	Beschreibung	Descripcìon
26	04.4201.00	ANELLO DI TENUTA	35X80X10	SEAL RING	BAGUE D'ETANCHEIT	BACKRING	ANILLO
27	04.4224.00	ANELLO DI TENUTA	55X85X8	SEAL RING	BAGUE D'ETANCHEIT	BACKRING	ANILLO
28	03.4325.00	SCATOLA LATERALE		GEARBOX	BOITIER D'ENTRAINEMENT	GETRIEBE	CAJA DE ENGRANAJES



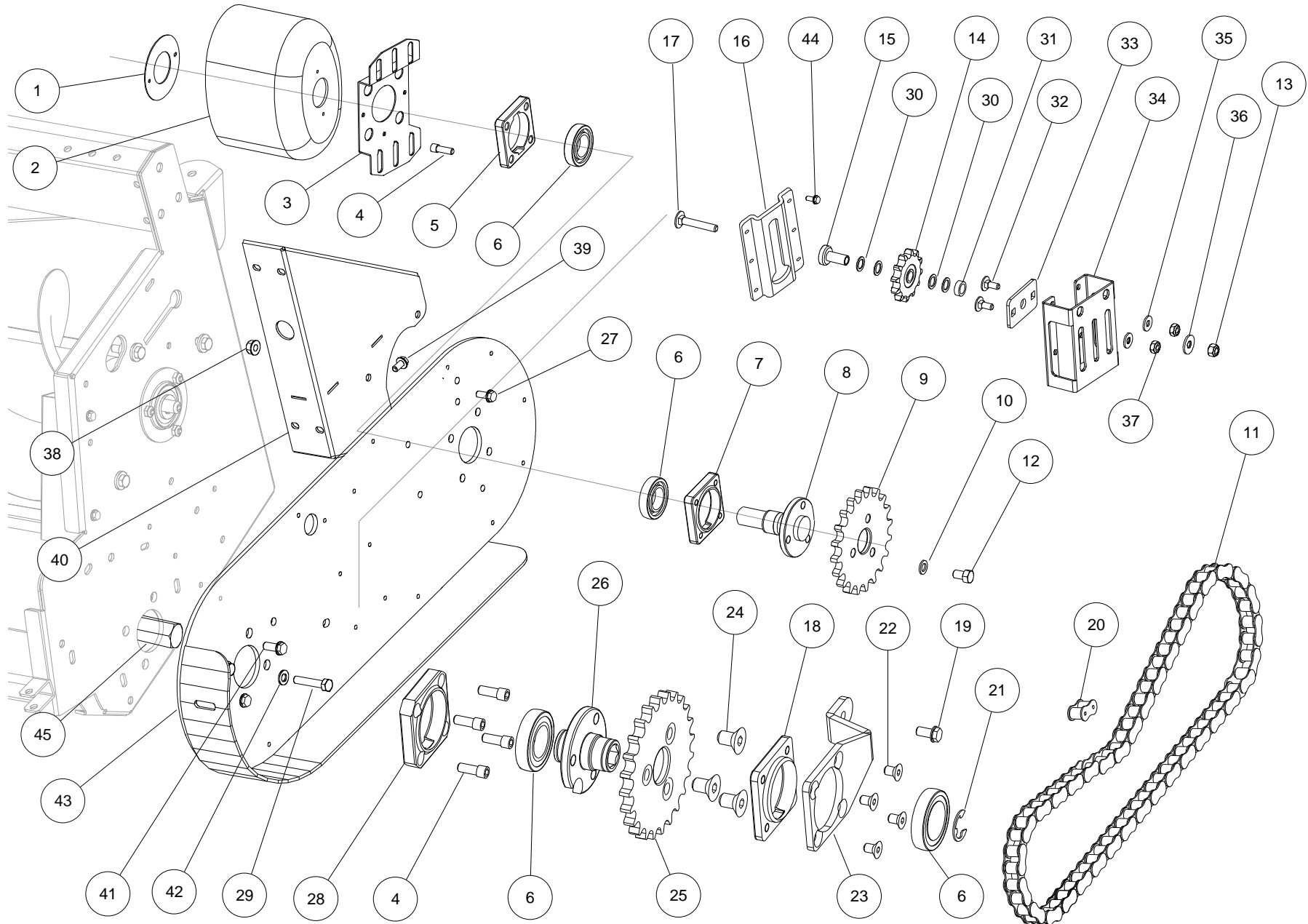
Pos	Code	Descrizione	Note	Description	Description	Beschreibung	Descripcìon
1	01.0266.00	FLANGIA		FLANGE	BRIDE	FLANSCH	BRIDA
2	PMS-000007	CUSCINETTO A SFERE		BALL BEARING	ROULEMENT A BILLES	KUGELLAGER	RODAMIENTO DE BOLAS
3	M1-30231	SUPPORTO CUSCINETTO		SUPPORT BEARING	SUPPORT ROULEMENT	BUGELHALTER PENDELKUGELLAGEI	SOPORTE COJINETTE
4	PMF-000184	VITE TCEI	M12X35	SOCKET HEAD SCREW	VIS CYLINDRIQUE	ZYLINDERSCHRAUBE	TORNILLO
5	02.2103.00	DISCO DI PROTEZIONE		DISC GUARD	DISQUE DE PROTECTION	DECKSCHEIBE	DISCO DE PROTECCION
6	PMF-000048	ANELLO ELASTICO	E 45X1.75	CIRCLIP	CIRCLIP	SICHERUNGSRING	ANILLO ELASTICO
7	01.0880.00	PIASTRA		PLATE	PLAQUE	PLATTE	PLACA
8	PMF-000012	DADO TENSILOCK	M10	SECURING NUT TENSILOCK	ECROU TENSILOCK	SICHERUNGSMUTTER TENSILOCK	CONTRATUERCA TENSILOCK
9	PMT-000019	CUFFIA DI PROTEZIONE		GUARD CAP	POT PROTECTION	SCHUTZTOPF	PROTECCION
10	S1-30033	PIASTRA		PLATE	PLAQUE	PLATTE	PLACA
11	02.2052.00	DADO AUTOBLOCCANTE	M6	SECURING NUT	ECROU INDESSERRAB	SICHERUNGSMUTTER	CONTRATUERCA
12	PMF-000060	DADO TENSILOCK	M12	SECURING NUT TENSILOCK	ECROU TENSILOCK	SICHERUNGSMUTTER TENSILOCK	CONTRATUERCA TENSILOCK
13	PMF-000053	VITE TENSILOCK	M12X25	SECURING SCREW TENSILOCK	VIS TENSILOCK	SCHRAUBE TENSILOCK	TORNILLO TENSILOCK
14	PMF-000064	VITE TENSILOCK	M10X20	SCREW TENSILOCK	VIS TENSILOCK	SCHRAUBE TENSILOCK	TORNILLO TENSILOCK
15	M1-30230	SUPPORTO CUSCINETTO		SUPPORT BEARING	SUPPORT ROULEMENT	BUGELHALTER PENDELKUGELLAGEI	SOPORTE COJINETTE



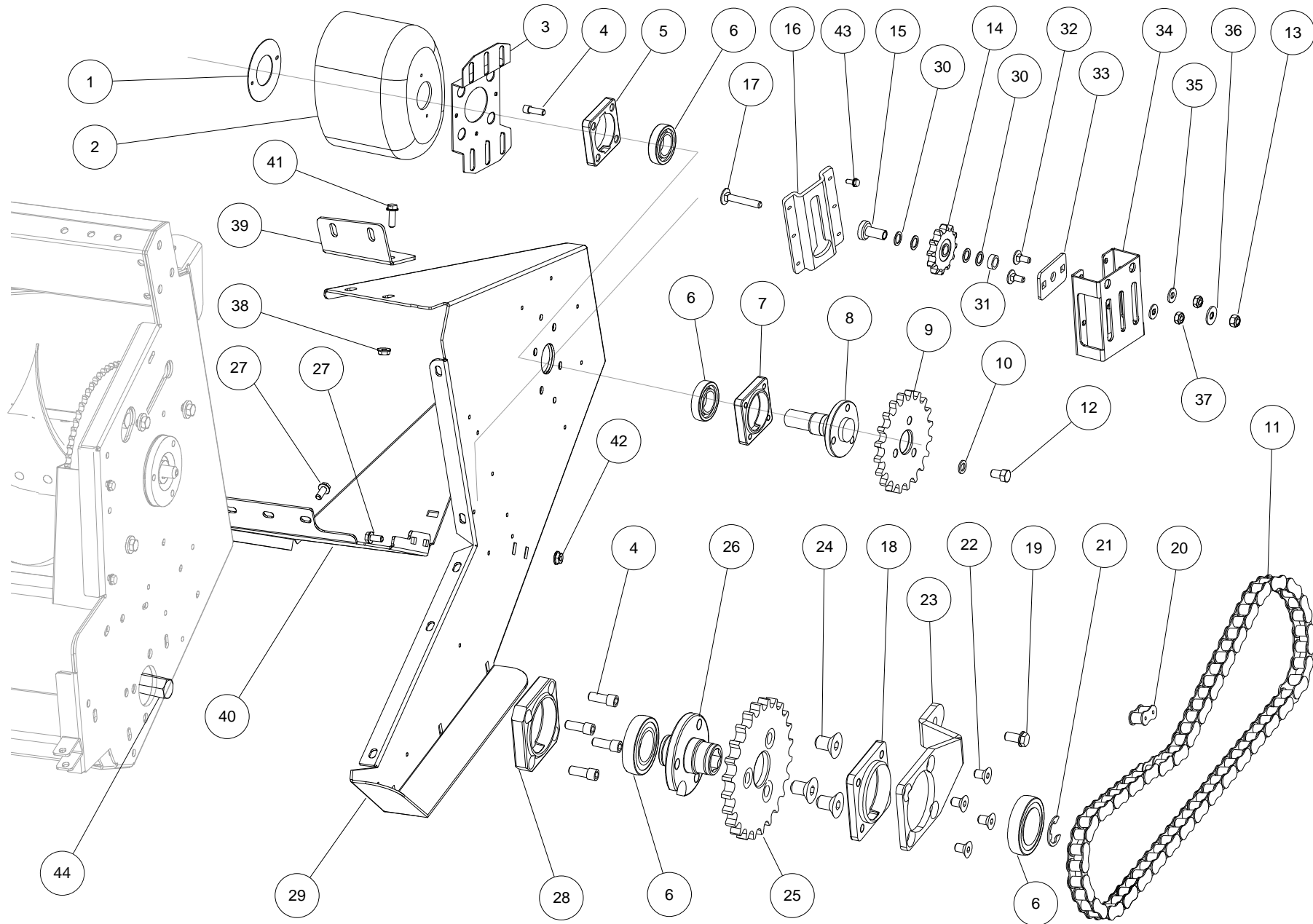
Pos	Code	Descrizione	Note	Description	Description	Beschreibung	Descripción
1	S1-30033	PIASTRA		PLATE	PLAQUE	PLATTE	PLACA
2	PMT-000019	CUFFIA DI PROTEZIONE		GUARD CAP	POT PROTECTION	SCHUTZTOPF	PROTECCION
3	S1-30032	SUPPORTO CUFFIA		COVER CAP	CHAPEAU	BUEGEL	PROTECCION
4	PMF-000184	VITE TCEI	M12X35	SOCKET HEAD SCREW	VIS CYLINDRIQUE	ZYLINDERSCHRAUBE	TORNILLO
5	M1-30231	SUPPORTO CUSCINETTO		SUPPORT BEARING	SUPPORT ROULEMENT	BUGELHALTER PENDELKUGELLAGEI SOPORTE COJINETTE	
6	PMS-000007	CUSCINETTO A SFERE		BALL BEARING	ROULEMENT A BILLES	KUGELLAGER	RODAMIENTO DE BOLAS
7	M1-30230	SUPPORTO CUSCINETTO		SUPPORT BEARING	SUPPORT ROULEMENT	BUGELHALTER PENDELKUGELLAGEI SOPORTE COJINETTE	
8	01.0220.00	ALBERO		SHAFT	ARBRE	WELLE	EJE
9	M1-30242	INGRANAGGIO	AGCO	GEAR	ROUE DENTEE	STINRAD	ENGRANAJE
9	M1-30244	INGRANAGGIO	NEW HOLLAND	GEAR	ROUE DENTEE	STINRAD	ENGRANAJE
9	M1-30245	INGRANAGGIO	JOHN DEERE	GEAR	ROUE DENTEE	STINRAD	ENGRANAJE
10	PMF-000437	RONDELLA	16X28X3	WASHER	RONDELLE	SCHEIBE	ARANDELLA
11	03.4238.00	CATENA RIBADITA	NEW HOLLAND	ROLLER CHAIN	CHAINE A ROULEAUX	KETTE	CADENA
11	03.4241.00	CATENA RIBADITA	JOHN DEERE	ROLLER CHAIN	CHAINE A ROULEAUX	KETTE	CADENA
11	M1-30547	CATENA RIBADITA	AGCO	ROLLER CHAIN	CHAINE A ROULEAUX	KETTE	CADENA
12	PMF-000070	VITE TE	M16X25	HEXAGONAL SCREW	VIS SIX PANS	SECHSKANTSCHRAUBE	TORNILLO
13	PMF-000031	DADO AUTOBLOCCANTE	M14	SECURING NUT	ECROU INDESSERRAB	SICHERUNGSMUTTER	CONTRATUERCA
14	01.0470.00	INGRANAGGIO TENDICATENA		CHAIN TENSION WHEEL	ROUE TENSION CHAINE	STINRAD	ENSOR DE CADENA
15	01.1602.00	BOCCOLA		BUSHING	DOUILLE	BÜCHSE	HEVILLA
16	01.1120.00	STAFFA TENDICATENA		BRACKET	ETRIER	BUEGEL	SOPORTE
17	02.4483.00	VITE TBQS	M14X85	COACH SCREW	VIS A TETE BOMBEE	FLACHRUNDSCHRAUBE	TORNILLO
18	01.0301.00	SUPPORTO CUSCINETTO		SUPPORT BEARING	SUPPORT ROULEMENT	BUGELHALTER PENDELKUGELLAGEI SOPORTE COJINETTE	
19	PMF-000252	VITE TENSILOCK	M12X35	SECURING SCREW TENSILOCK	VIS TENSILOCK	SCHRAUBE TENSILOCK	TORNILLO TENSILOCK
20	PMT-000071	MAGLIA DI GIUNZIONE		LOCKING LINK	MAILLON DE RACCORD	VERSCHLUSSGLIED	ESLABON DE CADENA
21	PMF-000058	ANELLO DI ARRESTO RADIALE	24X2	LOCK WASHER	BAGUE	SICHERUNGSSCHEIBE	ANILLO



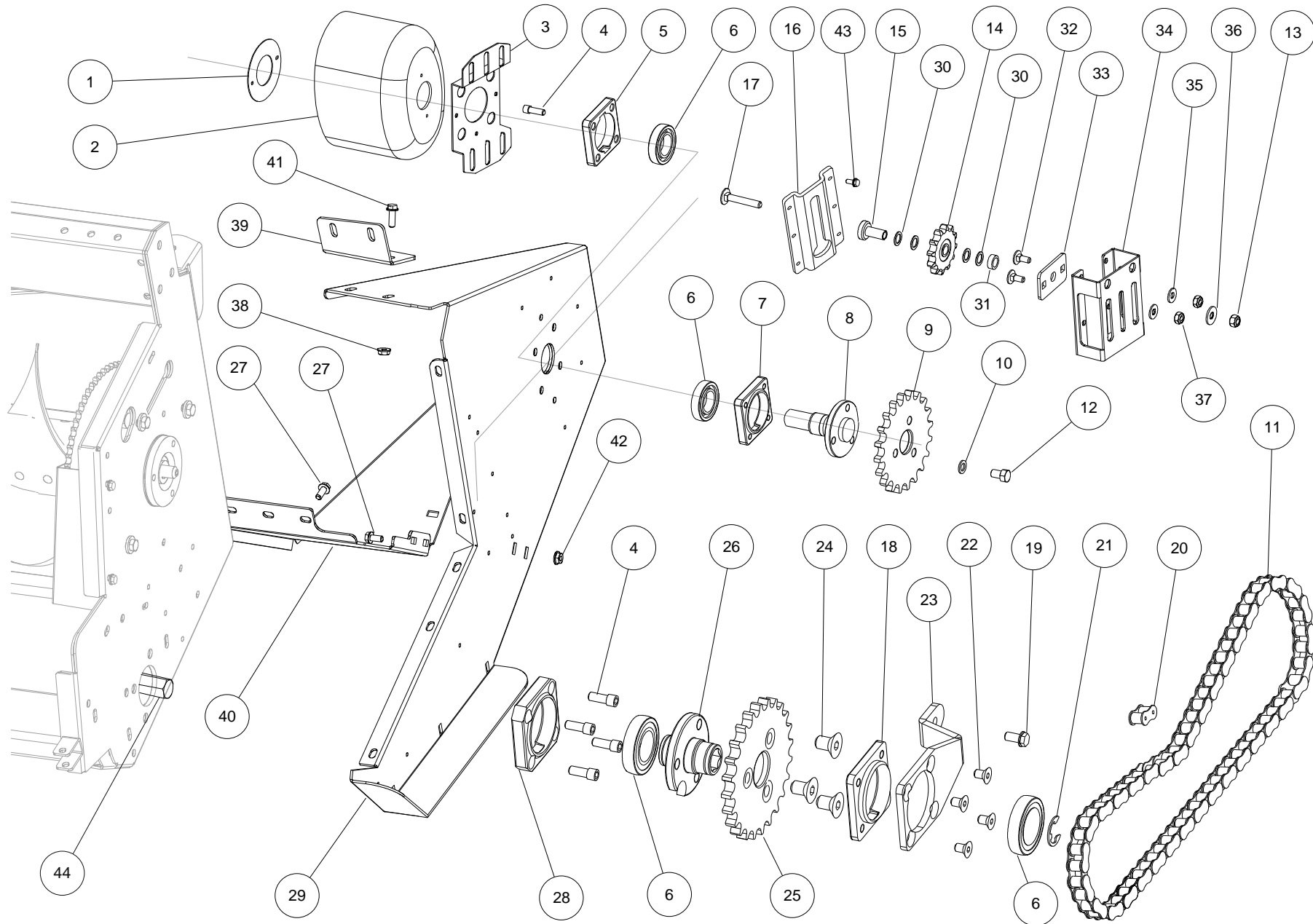
Pos	Code	Descrizione	Note	Description	Description	Beschreibung	Descripción
22	PMF-000474	VITE TSEI	M12X20	COUNTERSUNK SCREW	VIS A TETE FRAISEE	SENKSCHRAUBE	TORNILLO
23	01.1500.00	STAFFA		BRACKET	SUPPORT	BUEGEL	SOPORTE
24	01.1059.00	VITE TSEI	M16X23	COUNTERSUNK SCREW	VIS A TETE FRAISEE	SENKSCHRAUBE	TORNILLO
25	01.1188.00	INGRANAGGIO SVASATO	LEFT/NEW HOLLAND	COUNTERSUNK GEAR	ROUE DENTEE FRAISEE	SENKSTINRAD	ENGRANAJE AVELLANADO
25	01.1188.00	INGRANAGGIO SVASATO	LEFT/AGCO	COUNTERSUNK GEAR	ROUE DENTEE FRAISEE	SENKSTINRAD	ENGRANAJE AVELLANADO
25	01.1192.00	INGRANAGGIO SVASATO	LEFT/JOHN DEERE	COUNTERSUNK GEAR	ROUE DENTEE FRAISEE	SENKSTINRAD	ENGRANAJE AVELLANADO
25	M1-30244	INGRANAGGIO	RIGHT/JOHN DEERE	GEAR	ROUE DENTEE	STINRAD	ENGRANAJE
25	M1-30246	INGRANAGGIO	RIGHT/NEW HOLLAND	GEAR	ROUE DENTEE	STINRAD	ENGRANAJE
25	M1-30246	INGRANAGGIO	RIGHT/AGCO	GEAR	ROUE DENTEE	STINRAD	ENGRANAJE
26	01.1505.00	MOZZO DI TRASMISSIONE		HUB	MOYEU	NABE	CUBO
27	PMF-000040	VITE TENSILOCK	M10X25	SECURING SCREW TENSILOCK	VIS TENSILOCK	SCHRAUBE TENSILOCK	TORNILLO TENSILOCK
28	01.0300.00	SUPPORTO CUSCINETTO		SUPPORT BEARING	SUPPORT ROULEMENT	BUGELHALTER PENDELKUGELLAGER	SOPORTE COJINETTE
29	PMF-000063	VITE TE	M12X60	HEXAGONAL SCREW	VIS SIX PANS	SECHSKANTSCHRAUBE	TORNILLO
30	PMF-000303	DISTANZIALE	20X28X2	SPACER	EPAISSEUR	DISTANZSCHEIBE	ESPACIADOR
31	01.1606.00	DISTANZIALE		SPACER	EPAISSEUR	DISTANZSCHEIBE	ESPACIADOR
32	PMF-000253	VITE TBQS	M12X30	COACH SCREW	VIS A TETE BOMBEE	FLACHRUNDSCHRAUBE	TORNILLO
33	01.1661.00	PIASTRA		PLATE	PLAQUE	PLATTE	PLACA
34	01.1660.01	SUPPORTO		SUPPORT	SOPORTE	ABSTUZZUNG	SOPORTE
35	PMF-000075	RONDELLA	10X30X2.5	WASHER	RONDELLE	SCHEIBE	ARANDELLA
36	PMF-000024	DADO AUTOBLOCCANTE	M12	SECURING NUT	ECROU INDESSERRAB	SICHERUNGSMUTTER	CONTRATUERCA
37	PMF-000260	DISTANZIALE	14X42	SPACER	EPAISSEUR	DISTANZSCHEIBE	ESPACIADOR
38	PMF-000012	DADO TENSILOCK	M10	SECURING NUT TENSILOCK	ECROU TENSILOCK	SICHERUNGSMUTTER TENSILOCK	CONTRATUERCA TENSILOCK
39	PMF-000064	VITE TENSILOCK	M10X20	SCREW TENSILOCK	VIS TENSILOCK	SCHRAUBE TENSILOCK	TORNILLO TENSILOCK
40	01.2468.00	SUPPORTO DESTRO		RIGHT BRACKET	SUPPORT DROITE	BUGELHALTER RECHTS	SOPORTE DERECHO
40	01.2470.00	SUPPORTO SINISTRO		LEFT SUPPORT	SUPPORT GAUCHE	BUGELHALTER LINKS	SOPORTE IZQUIERDO



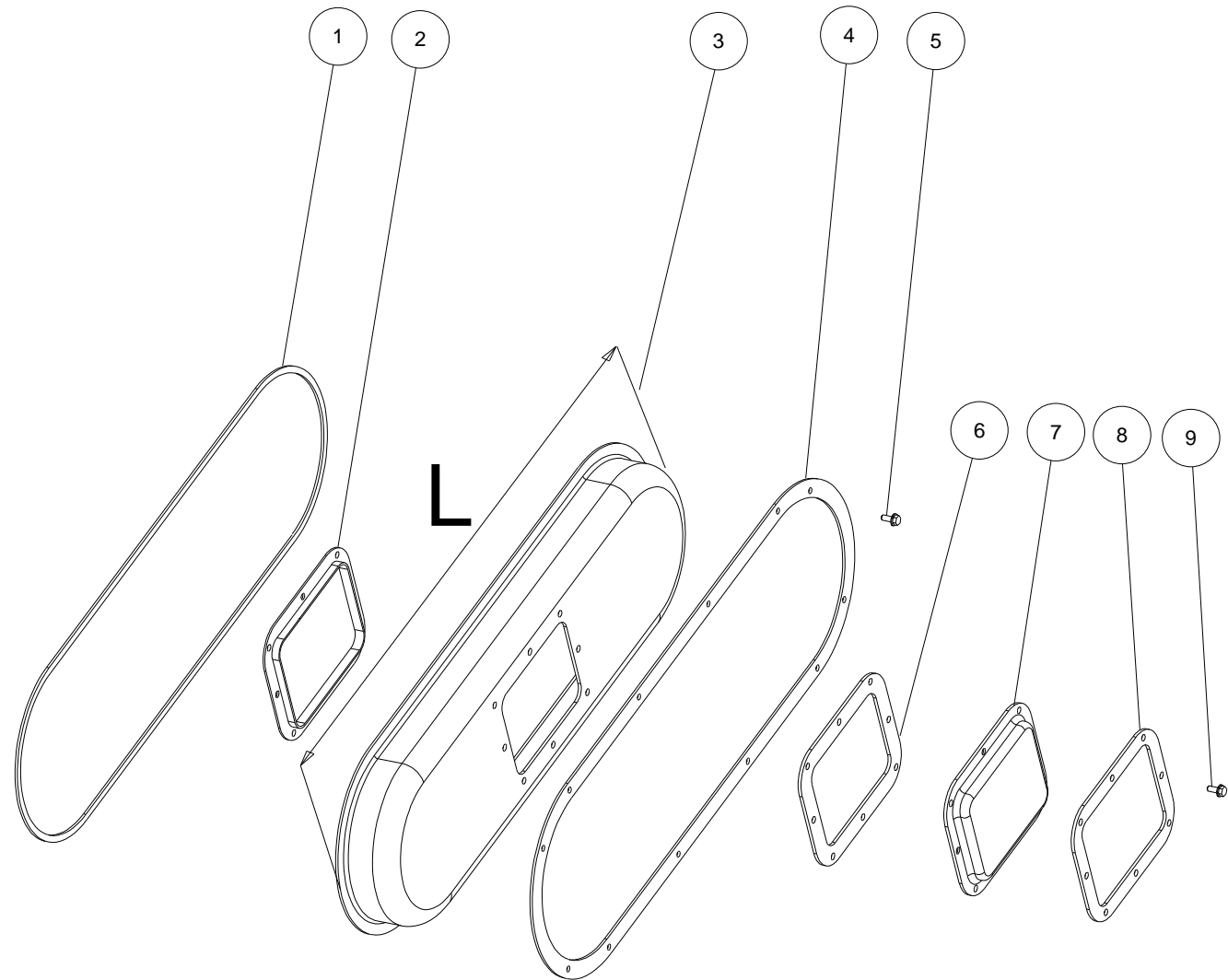
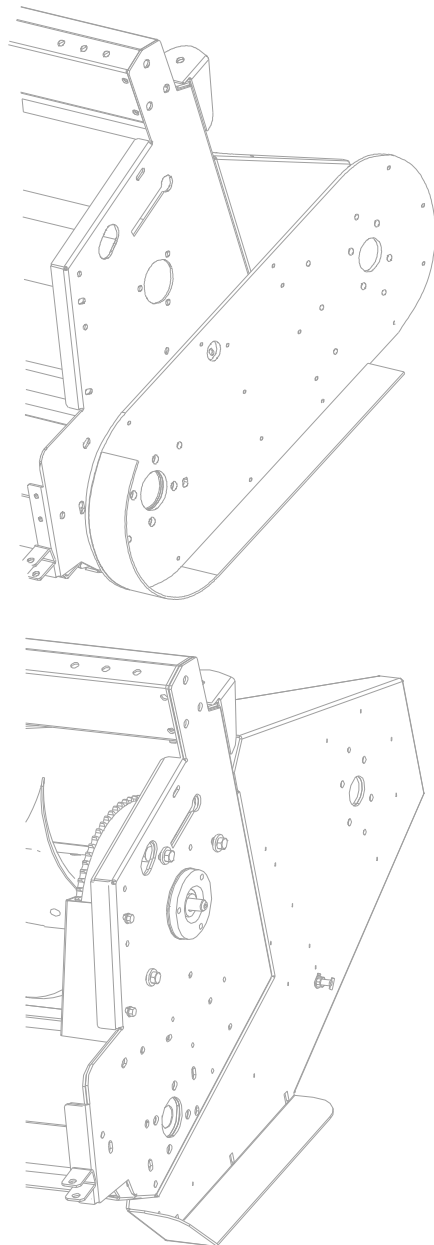
Pos	Code	Descrizione	Note	Description	Description	Beschreibung	Descripcìon
41	PMF-000042	VITE TENSILOCK	M12X30	SECURING SCREW TENSILOCK	VIS TENSILOCK	SCHRAUBE TENSILOCK	TORNILLO TENSILOCK
42	PMF-000089	RONDELLA	13X24X2.5	WASHER	RONDELLE	SCHEIBE	ARANDELLA
43	01.2467.00	PIASTRA DESTRA	JOHN DEERE	RIGHT PLATE	PLAQUE DROITE	PLATTE RECHTS	PLACA DERECHA
43	01.2469.00	PIASTRA SINISTRA	JOHN DEERE	LEFT PLATE	PLAQUE GAUCHE	PLATTE LINKS	PLACA IZQUIERDA
43	01.2589.00	PIASTRA DESTRA	N.H. AGCO	RIGHT PLATE	PLAQUE DROITE	PLATTE RECHTS	PLACA DERECHA
43	01.2590.00	PIASTRA SINISTRA	N.H. AGCO	LEFT PLATE	PLAQUE GAUCHE	PLATTE LINKS	PLACA IZQUIERDA
44	PMF-000047	VITE TENSILOCK	M8X16	SECURING SCREW TENSILOCK	VIS TENSILOCK	SCHRAUBE TENSILOCK	TORNILLO TENSILOCK
45	01.1746.00	ALBERO ESAGONALE	L=810	HEXAGONAL SHAFT	ARBRE SIX PANS	WELLE	EJE HEXAGONAL



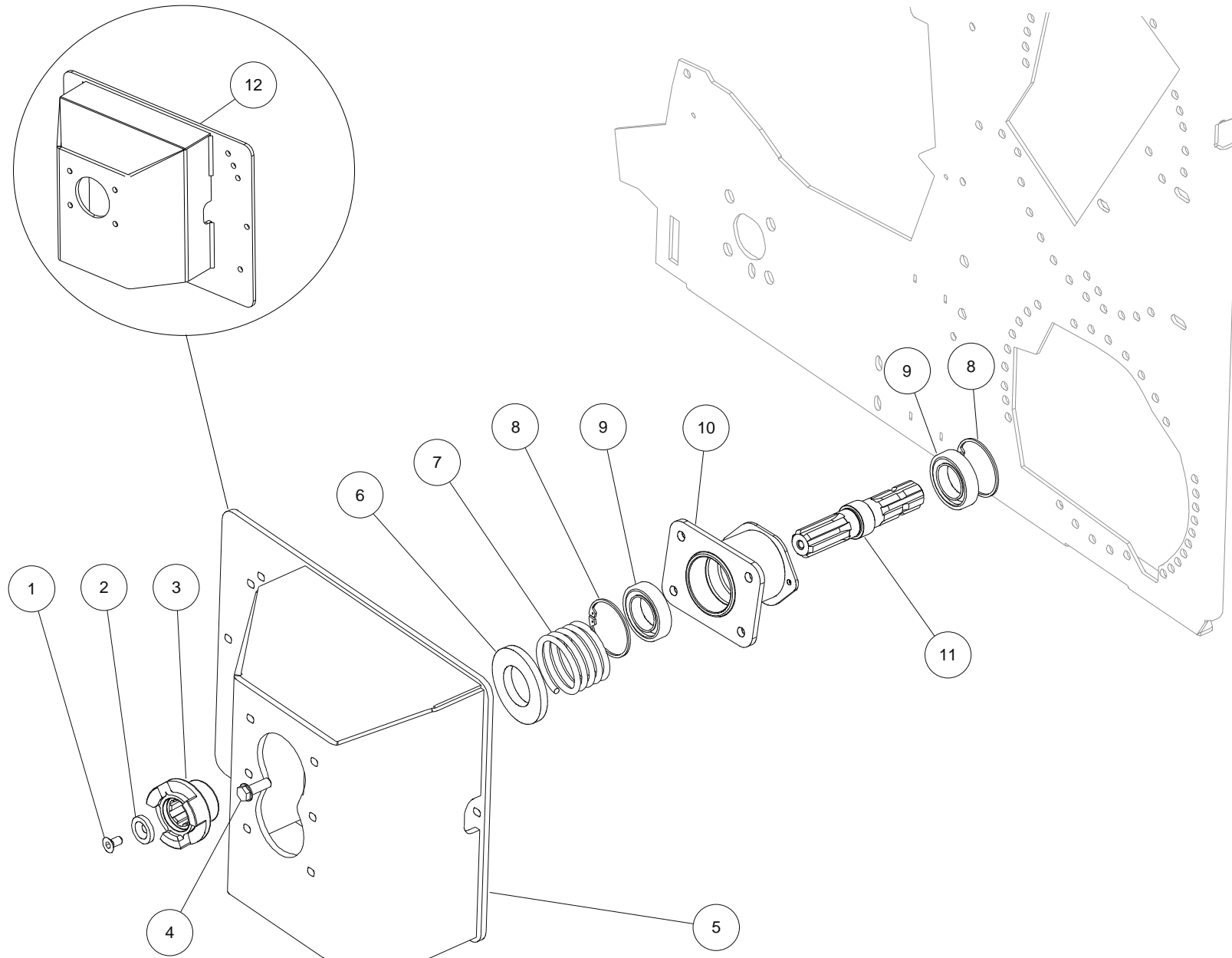
Pos	Code	Descrizione	Note	Description	Description	Beschreibung	Descripción
1	S1-30033	PIASTRA		PLATE	PLAQUE	PLATTE	PLACA
2	PMT-000019	CUFFIA DI PROTEZIONE		GUARD CAP	POT PROTECTION	SCHUTZTOPF	PROTECCION
3	S1-30032	SUPPORTO CUFFIA		COVER CAP	CHAPEAU	BUEGEL	PROTECCION
4	PMF-000184	VITE TCEI	M12X35	SOCKET HEAD SCREW	VIS CYLINDRIQUE	ZYLINDERSCHRAUBE	TORNILLO
5	M1-30231	SUPPORTO CUSCINETTO		SUPPORT BEARING	SUPPORT ROULEMENT	BUGELHALTER PENDELKUGELLAGEI SOPORTE COJINETTE	
6	PMS-000007	CUSCINETTO A SFERE		BALL BEARING	ROULEMENT A BILLES	KUGELLAGER	RODAMIENTO DE BOLAS
7	M1-30230	SUPPORTO CUSCINETTO		SUPPORT BEARING	SUPPORT ROULEMENT	BUGELHALTER PENDELKUGELLAGEI SOPORTE COJINETTE	
8	01.0220.00	ALBERO		SHAFT	ARBRE	WELLE	EJE
9	M1-30242	INGRANAGGIO	CLAAS	GEAR	ROUE DENTEE	STINRAD	ENGRANAJE
10	PMF-000437	RONDELLA	16X28X3	WASHER	RONDELLE	SCHEIBE	ARANDELLA
11	03.4241.00	CATENA RIBADITA	CLAAS	ROLLER CHAIN	CHAINE A ROULEAUX	KETTE	CADENA
12	PMF-000070	VITE TE	M16X25	HEXAGONAL SCREW	VIS SIX PANS	SECHSKANTSCHRAUBE	TORNILLO
13	PMF-000031	DADO AUTOBLOCCANTE	M14	SECURING NUT	ECROU INDESSERRAB	SICHERUNGSMUTTER	CONTRATUERCA
14	01.0470.00	INGRANAGGIO TENDICATENA		CHAIN TENSION WHEEL	ROUE TENSION CHAINE	STINRAD	SENSOR DE CADENA
15	01.1602.00	BOCCOLA		BUSHING	DOUILLE	BÜCHSE	HEVILLA
16	01.1120.00	STAFFA TENDICATENA		BRACKET	ETRIER	BUEGEL	SOPORTE
17	02.4483.00	VITE TBQS	M14X85	COACH SCREW	VIS A TETE BOMBEE	FLACHRUNDSCHRAUBE	TORNILLO
18	01.0301.00	SUPPORTO CUSCINETTO		SUPPORT BEARING	SUPPORT ROULEMENT	BUGELHALTER PENDELKUGELLAGEI SOPORTE COJINETTE	
19	PMF-000252	VITE TENSILOCK	M12X35	SECURING SCREW TENSILOCK	VIS TENSILOCK	SCHRAUBE TENSILOCK	TORNILLO TENSILOCK
20	PMT-000071	MAGLIA DI GIUNZIONE		LOCKING LINK	MAILLON DE RACCORD	VERSCHLUSSGLIED	ESLABON DE CADENA
21	PMF-000058	ANELLO DI ARRESTO RADIALE	24X2	LOCK WASHER	BAGUE	SICHERUNGSSCHEIBE	ANILLO
22	PMF-000474	VITE TSEI	M12X20	COUNTERSUNK SCREW	VIS A TETE FRAISEE	SENKSCHRAUBE	TORNILLO
23	01.1500.00	STAFFA		BRACKET	SUPPORT	BUEGEL	SOPORTE
24	01.1059.00	VITE TSEI	M16X23	COUNTERSUNK SCREW	VIS A TETE FRAISEE	SENKSCHRAUBE	TORNILLO
25	01.1188.00	INGRANAGGIO SVASATO	LEFT	COUNTERSUNK GEAR	ROUE DENTEE FRAISEE	SENKSTINRAD	ENGRANAJE AVELLANADO



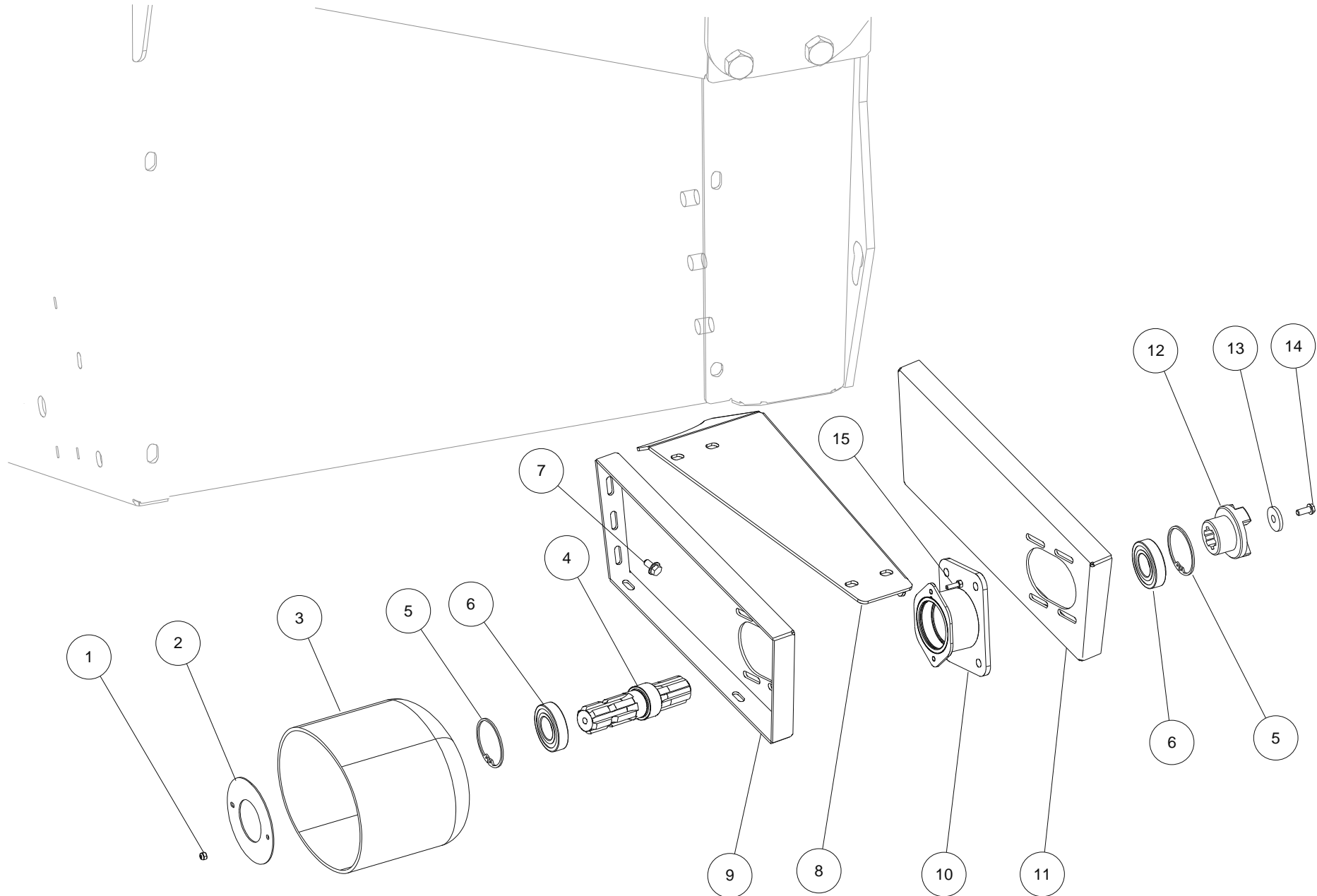
Pos	Code	Descrizione	Note	Description	Description	Beschreibung	Descripcìon
25	M1-30246	INGRANAGGIO	RIGHT	GEAR	ROUE DENTEE	STINRAD	ENGRANAJE
26	01.1505.00	MOZZO DI TRASMISSIONE		HUB	MOYEU	NABE	CUBO
27	PMF-000040	VITE TENSILOCK	M10X25	SECURING SCREW TENSILOCK	VIS TENSILOCK	SCHRAUBE TENSILOCK	TORNILLO TENSILOCK
28	01.0300.00	SUPPORTO CUSCINETTO		SUPPORT BEARING	SUPPORT ROULEMENT	BUGELHALTER PENDELKUGELLAGEI	SOPORTE COJINETTE
29	01.2727.00	SUPPORTO DESTRO	RIGHT	RIGHT SUPPORT	SUPPORT DROITE	BUGELHALTER RECHTS	SOPORTE DERECHO
29	01.2728.00	SUPPORTO SINISTRO	LEFT	LEFT SUPPORT	SUPPORT GAUCHE	BUGELHALTER LINKS	SOPORTE IZQUIERDO
30	PMF-000303	DISTANZIALE	20X28X2	SPACER	EPAISSEUR	DISTANZSCHEIBE	ESPACIADOR
31	01.1606.00	DISTANZIALE		SPACER	EPAISSEUR	DISTANZSCHEIBE	ESPACIADOR
32	PMF-000253	VITE TBQS	M12X30	COACH SCREW	VIS A TETE BOMBEE	FLACHRUNDSCHRAUBE	TORNILLO
33	01.1661.00	PIASTRA		PLATE	PLAQUE	PLATTE	PLACA
34	01.1660.01	SUPPORTO		SUPPORT	SOPORTE	ABSTUZUNG	SOPORTE
35	PMF-000075	RONDELLA	10X30X2.5	WASHER	RONDELLE	SCHEIBE	ARANDELLA
36	PMF-000024	DADO AUTOBLOCCANTE	M12	SECURING NUT	ECROU INDESSERRAB	SICHERUNGSMUTTER	CONTRATUERCA
37	PMF-000260	DISTANZIALE	14X42	SPACER	EPAISSEUR	DISTANZSCHEIBE	ESPACIADOR
38	PMF-000060	DADO TENSILOCK	M12	SECURING NUT TENSILOCK	ECROU TENSILOCK	SICHERUNGSMUTTER TENSILOCK	CONTRATUERCA TENSILOCK
39	01.2729.00	STAFFA DESTRA	RIGHT	RIGHT BRACKET	SUPPORT DROITE	BUEGEL RECHTS	SOPORTE DERECHO
39	01.2730.00	STAFFA SINISTRA	LEFT	LEFT SUPPORT	SUPPORT GAUCHE	BUEGEL LINKS	SOPORTE IZQUIERDO
40	01.2731.00	SUPPORTO	RIGHT	SUPPORT	SUPPORT	ABSTUZUNG	SOPORTE
40	01.2732.00	SUPPORTO	LEFT	SUPPORT	SUPPORT	ABSTUZUNG	SOPORTE
41	PMF-000042	VITE TENSILOCK	M12X30	SECURING SCREW TENSILOCK	VIS TENSILOCK	SCHRAUBE TENSILOCK	TORNILLO TENSILOCK
42	PMF-000012	DADO TENSILOCK	M10	SECURING NUT TENSILOCK	ECROU TENSILOCK	SICHERUNGSMUTTER TENSILOCK	CONTRATUERCA TENSILOCK
43	PMF-000047	VITE TENSILOCK	M8X16	SECURING SCREW TENSILOCK	VIS TENSILOCK	SCHRAUBE TENSILOCK	TORNILLO TENSILOCK
44	01.1746.00	ALBERO ESAGONALE	L=810	HEXAGONAL SHAFT	ARBRE SIX PANS	WELLE	EJE HEXAGONAL



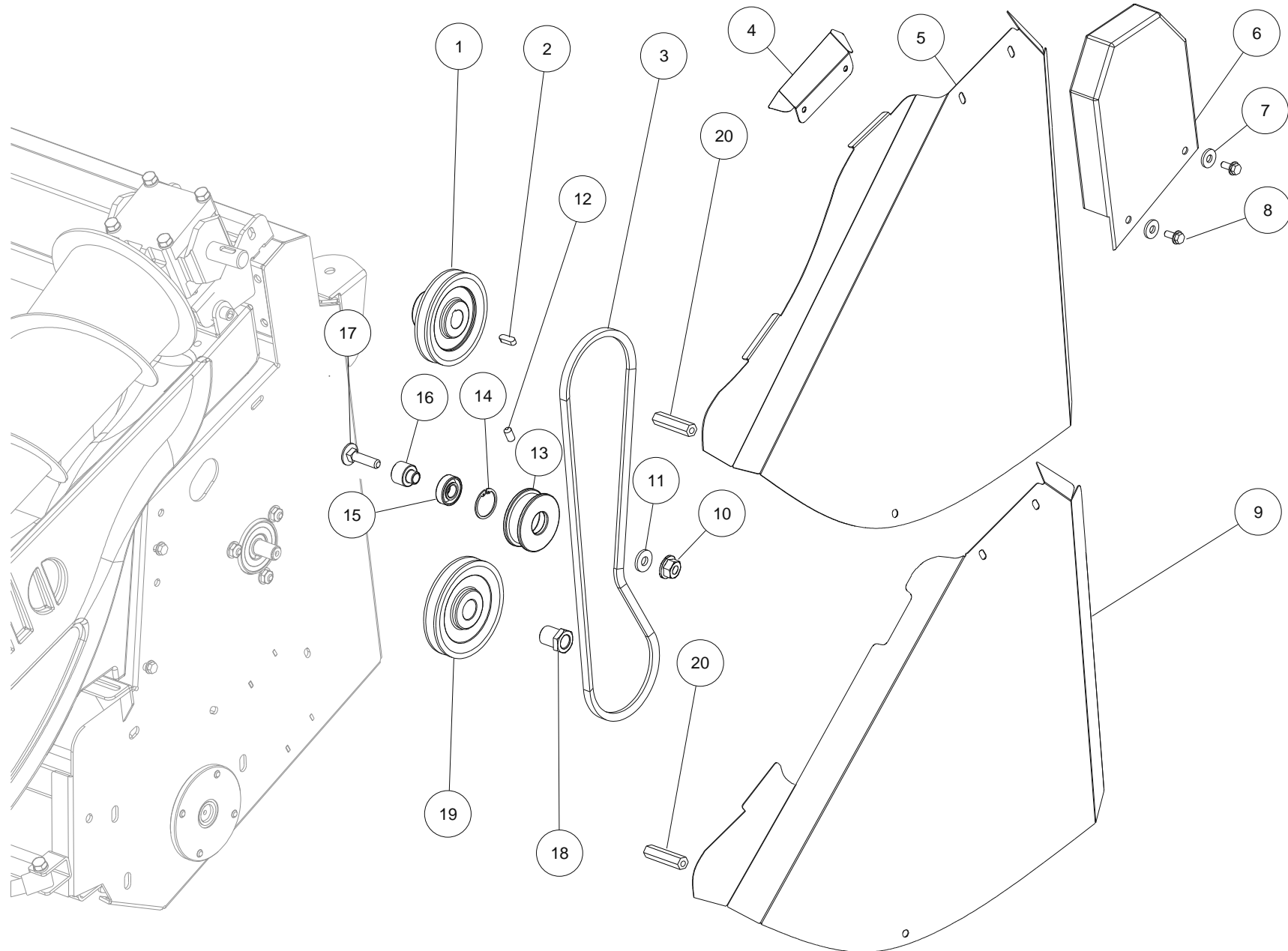
Pos	Code	Descrizione	Note	Description	Description	Beschreibung	Descripción
1	PO-000088	GUARNIZIONE PER CARTER	INDICATE LENGTH	ANNEAU DE CAOUTCHOUC	RUBBER RING	GUMMIRING	ANILLO
2	01.0940.00	PIASTRA		PLATE	PLAQUE	PLATTE	PLACA
3	03.4180.00	CARTER	L=980	GUARD	GARANT	SCHUTZ	PROTECCION
3	03.4181.00	CARTER	L=1080	GUARD	GARANT	SCHUTZ	PROTECCION
4	03.4693.00	ANELLO	L=980	STEEL RING	BAGUE EN ACIER	RING	ANILLO
4	03.4694.00	ANELLO	L=1080	STEEL RING	BAGUE EN ACIER	RING	ANILLO
5	PMF-000047	VITE TENSILOCK	M8X16	SECURING SCREW TENSILOCK	VIS TENSILOCK	SCHRAUBE TENSILOCK	TORNILLO TENSILOCK
6	M1-30353	GUARNIZIONE PIANA		RUBBER RING	ANNEAU DE CAOUTCHOUC	GUMMIRING	ANILLO
7	03.4076.00	COPERCHIO		COVER	COUVERTURE	DECKEL	COBERTURA
8	01.0926.01	ANELLO		STEEL RING	BAGUE EN ACIER	RING	ANILLO
9	PMF-000034	VITE TENSILOCK	M8X20	SECURING SCREW TENSILOCK	VIS TENSILOCK	SCHRAUBE TENSILOCK	TORNILLO TENSILOCK



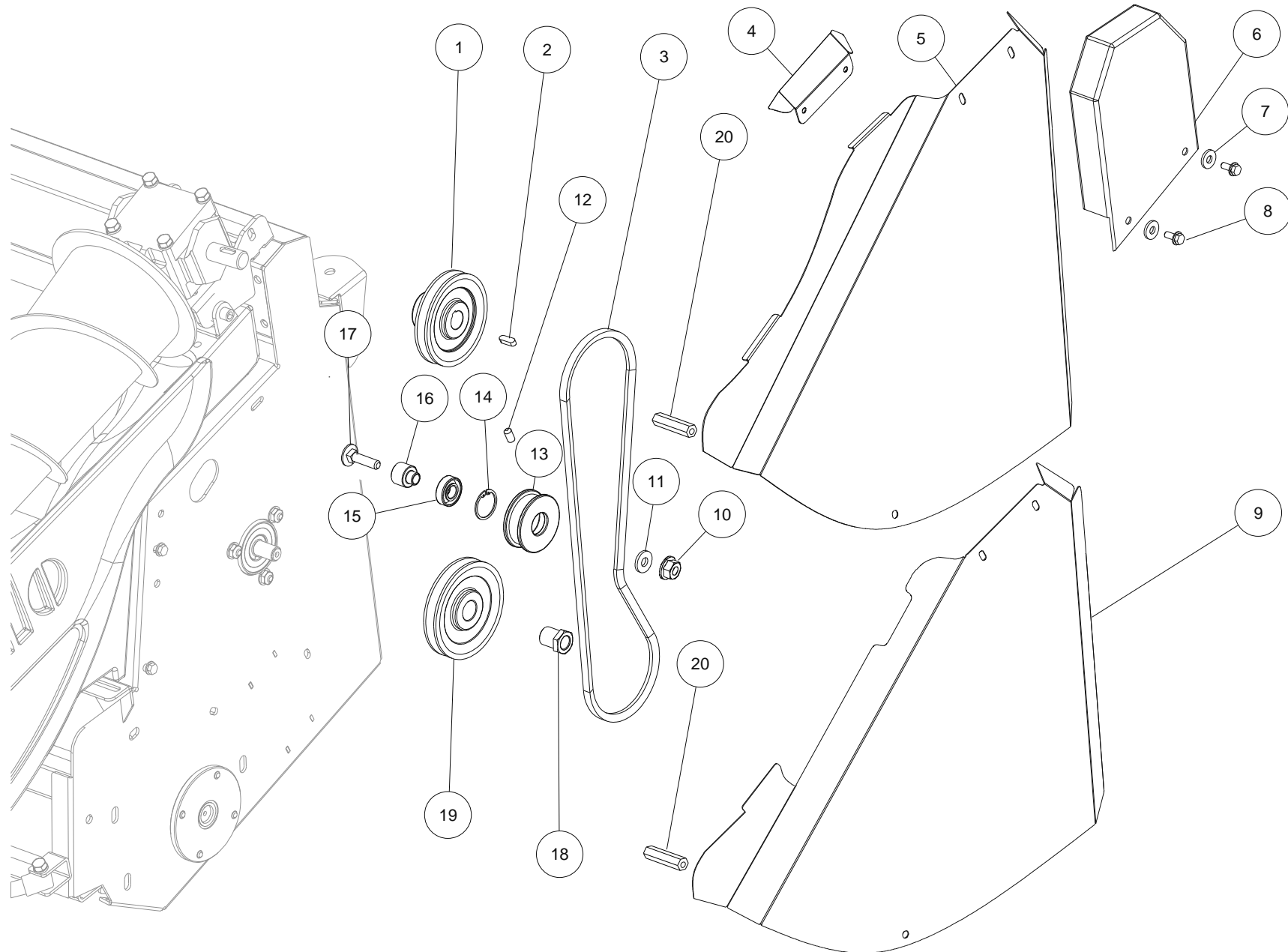
Pos	Code	Descrizione	Note	Description	Description	Beschreibung	Descripcìon
1	PMF-000135	VITE TSEI	M10X20	COUNTERSUNK SCREW	VIS A TETE FRAISEE	SENKSCHRAUBE	TORNILLO
2	02.2380.00	RONDELLA	10X35X6	WASHER	RONDELLE	SCHEIBE	ARANDELLA
3	10.1125.01	INNESTO		AUGER CLUTCH	BRANCHE	KUPPLUNG	EMBRAGUE
4	PMF-000252	VITE TENSILOCK	M12X35	SECURING SCREW TENSILOCK	VIS TENSILOCK	SCHRAUBE TENSILOCK	TORNILLO TENSILOCK
5	01.2617.00	PIASTRA DESTRA	JOHN DEERE	RIGHT PLATE	PLAQUE DROITE	PLATTE RECHTS	PLACA DERECHA
5	01.2618.00	PIASTRA SINISTRA	JOHN DEERE	LEFT PLATE	PLAQUE GAUCHE	PLATTE LINKS	PLACA IZQUIERDA
6	M1-20054	RONDELLA SPINGIMOLLA		WASHER	RONDELLE	SCHEIBE	ARANDELA
7	M1-20053	MOLLA		COMPRESS SPRING	RESSORT	DRUCKFEDER	MUELLE
8	PMF-000022	ANELLO ELASTICO	I 72X2.5	CIRCLIP	CIRCLIP	SICHERUNGSRING	ANILLO ELASTICO
9	PMS-000003	CUSCINETTO A SFERE		BALL BEARING	ROULEMENT A BILLES	KUGELLAGER	RODAMIENTO DE BOLAS
10	M2-30062	SUPPORTO CUSCINETTO		SUPPORT BEARING	SUPPORT ROULEMENT	BUGELHALTER PENDELKUGELLAGEI	SOPORTE COJINETTE
11	10.2260.01	ALBERO INTERNO		SHAFT	ARBRE	WELLE	EJE
12	01.2617.00	PIASTRA DESTRA	N.H. - AGCO	RIGHT PLATE	PLAQUE DROITE	PLATTE RECHTS	PLACA DERECHA
12	01.2618.00	PIASTRA SINISTRA	N.H. - AGCO	LEFT PLATE	PLAQUE GAUCHE	PLATTE LINKS	PLACA IZQUIERDA



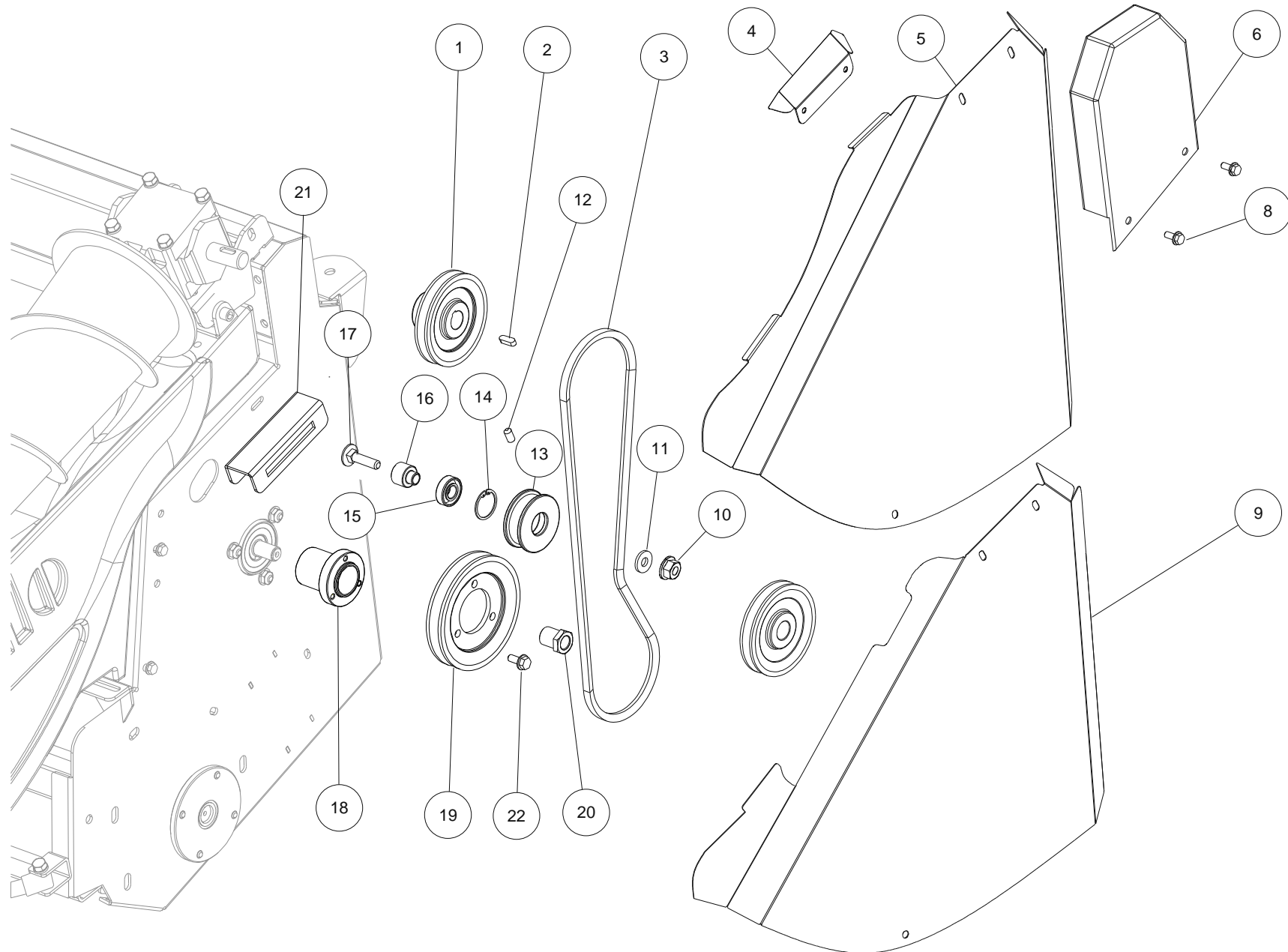
Pos	Code	Descrizione	Note	Description	Description	Beschreibung	Descripcìon
1	PMF-000101	DADO AUTOBLOCCANTE	M6	SECURING NUT	ECROU INDESSERRAB	SICHERUNGSMUTTER	CONTRATUERCA
2	S1-30033	PIASTRA		PLATE	PLAQUE	PLATTE	PLACA
3	PMT-000019	CUFFIA DI PROTEZIONE		GUARD CAP	POT PROTECTION	SCHUTZTOPF	PROTECCION
4	10.1425.02	ALBERO		SHAFT	ARBRE	WELLE	EJE
5	PMF-000022	ANELLO ELASTICO	I 72X2.5	CIRCLIP	CIRCLIP	SICHERUNGSRING	ANILLO ELASTICO
6	PMS-000003	CUSCINETTO A SFERE		BALL BEARING	ROULEMENT A BILLES	KUGELLAGER	RODAMIENTO DE BOLAS
7	PMF-000042	VITE TENSILOCK	M12X30	SECURING SCREW TENSILOCK	VIS TENSILOCK	SCHRAUBE TENSILOCK	TORNILLO TENSILOCK
8	01.2619.00	SUPPORTO SINISTRO	JOHN DEERE	LEFT SUPPORT	SUPPORT GAUCHE	BUGELHALTER LINKS	SOPORTE IZQUIERDO
8	01.2620.00	SUPPORTO DESTRO	JOHN DEERE	RIGHT BRACKET	SUPPORT DROITE	BUGELHALTER RECHTS	SOPORTE DERECHO
8	01.2627.00	SUPPORTO DESTRO	N.H. - AGCO	RIGHT BRACKET	SUPPORT DROITE	BUGELHALTER RECHTS	SOPORTE DERECHO
8	01.2628.00	SUPPORTO SINISTRO	N.H. - AGCO	LEFT SUPPORT	SUPPORT GAUCHE	BUGELHALTER LINKS	SOPORTE IZQUIERDO
9	01.2621.00	PIASTRA	JOHN DEERE	PLATE	PLAQUE	PLATTE	PLACA
9	01.2626.00	PIASTRA	N.H. - AGCO	PLATE	PLAQUE	PLATTE	PLACA
10	M2-30061	SUPPORTO CUSCINETTO		SUPPORT BEARING	SUPPORT ROULEMENT	BUGELHALTER PENDELKUGELLAGEI	SOPORTE COJINETTE
11	01.2622.00	PIASTRA	JOHN DEERE	PLATE	PLAQUE	PLATTE	PLACA
11	01.2625.00	PIASTRA	N.H. - AGCO	PLATE	PLAQUE	PLATTE	PLACA
12	10.1125.01	INNESTO		AUGER CLUTCH	BRANCHE	KUPPLUNG	EMBRAGUE
13	02.2380.00	RONDELLA	10X35X6	WASHER	RONDELLE	SCHEIBE	ARANDELLA
14	PMF-000135	VITE TSEI	M10X20	COUNTERSUNK SCREW	VIS A TETE FRAISEE	SENKSCHRAUBE	TORNILLO
15	PMF-000179	VITE TE	M6X20	HEXAGONAL SCREW	VIS SIX PANS	SECHSKANTSCHRAUBE	TORNILLO



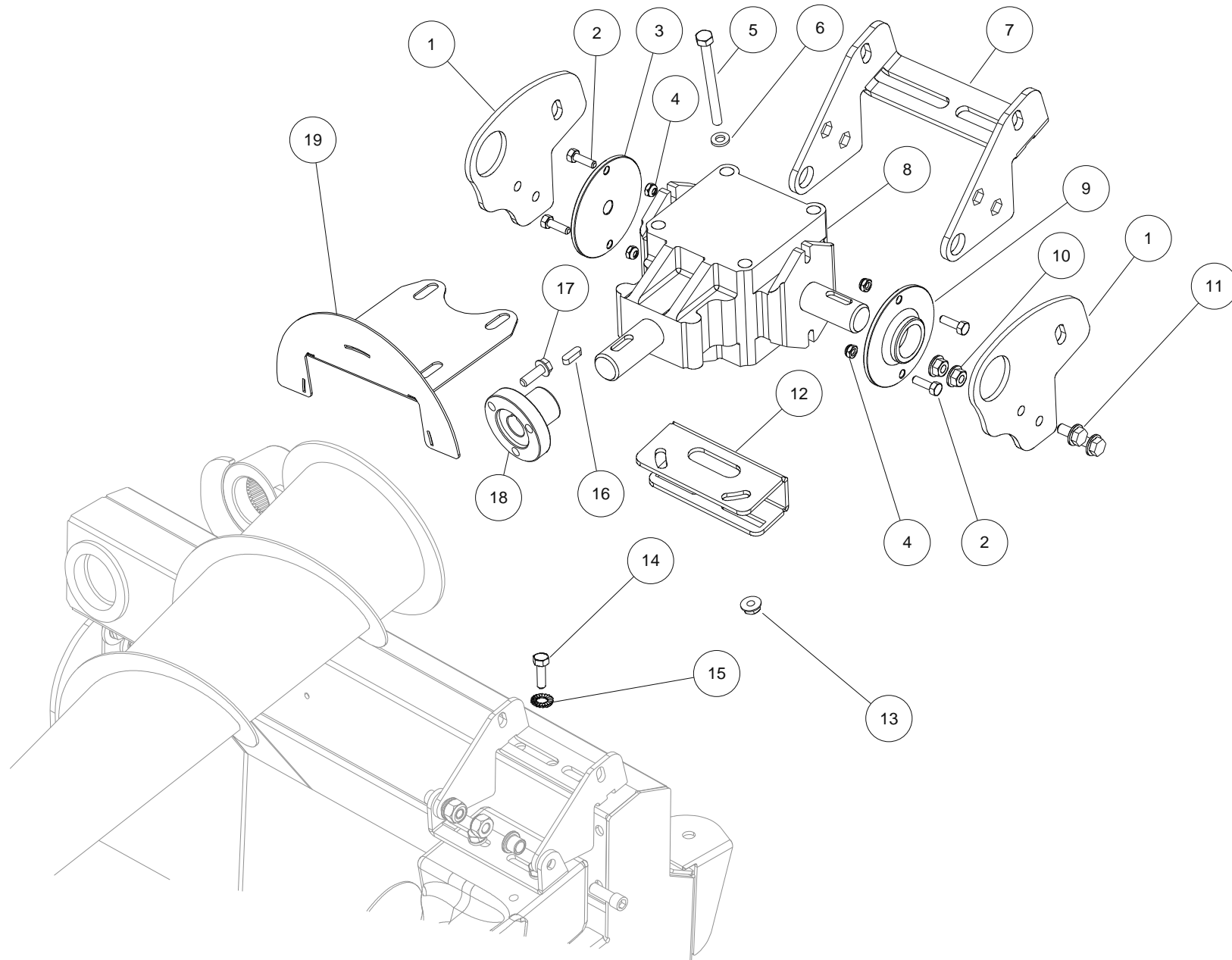
Pos	Code	Descrizione	Note	Description	Description	Beschreibung	Descripcìon
1	03.2075.00	PULEGGIA		POULIE TRAPEZIOIDALE	V-BELT PULLEY	KEILRIEMENSCHLEIBE	POLEA
2	PMT-000034	LINGUETTA	8X7X25	KNOTTER TONGUE	LANGUETTE	KNOTERERZUNGE	LENGUETA
3	PMT-000167	CINGHIA		BELT	COURROIE	RIEMEN	CORREA
4	03.4136.00	CHIUSURA SINISTRA		LEFT CLOSURE	CLÔTURE GAUCHE	SCHLIESSEN LINKS	CIERRE IZQUIERDA
4	03.4137.00	CHIUSURA DESTRA		RIGHT FRAME ASPO	CLOSURE DROITE	SCHLIESSEN RECHTS	CIERRE DERECHA
5	03.4120.01	CARTER DESTRO		RIGHT GUARD	GARANT DROIT	SCHUTZ RECHTS	CARTER DERECHO
5	03.4121.01	CARTER SINISTRO		LEFT CARTER	CARTER GAUCHE	CARTER LINKS	CARTER IZQUIERDO
6	05.5047.00	CARTER DESTRO		RIGHT GUARD	GARANT DROIT	SCHUTZ RECHTS	CARTER DERECHO
6	05.5048.00	CARTER SINISTRO		LEFT CARTER	CARTER GAUCHE	CARTER LINKS	CARTER IZQUIERDO
7	PMF-000141	RONDELLA	8X16X2	WASHER	RONDELLE	SCHEIBE	ARANDELLA
8	PMF-000034	VITE TENSILOCK	M8X20	SECURING SCREW TENSILOCK	VIS TENSILOCK	SCHRAUBE TENSILOCK	TORNILLO TENSILOCK
9	03.4126.00	CARTER SINISTRO		LEFT CARTER	CARTER GAUCHE	CARTER LINKS	CARTER IZQUIERDO
9	03.4127.00	CARTER DESTRO		RIGHT GUARD	GARANT DROIT	SCHUTZ RECHTS	CARTER DERECHO
10	PMF-000060	DADO TENSILOCK	M12	SECURING NUT TENSILOCK	ECROU TENSILOCK	SICHERUNGSMUTTER TENSILOCK	CONTRATUERCA TENSILOCK
11	PMF-000051	RONDELLA	13X22X3	WASHER	RONDELLE	SCHEIBE	ARANDELLA
12	PMF-000028	VITE STEI	M10X20	GRUB SCREW	GOUPILLE	NUT	TORNILLO
13	05.5043.00	TENDICATENA		TENSION CHAINE	CHAIN TENSION	KETTENSANNBLOCK ANTRIEB	TENSOR DE CADENA
14	PMF-000328	ANELLO ELASTICO	I 40X1.75	CIRCLIP	CIRCLIP	SICHERUNGSRING	ANILLO ELASTICO
15	02.2100.00	CUSCINETTO		BEARING	ROULEMENT	PENDELKUGELLAGER	COJINETE
16	01.4950.00	BOCCOLA		BUSHING	DOUILLE	BÜCHSE	HEVILLA
17	PMF-000032	VITE TBQS	M12X50	COACH SCREW	VIS A TETE BOMBEE	FLACHRUNDSCHRAUBE	TORNILLO
18	01.1191.00	BOCCOLA		BUSHING	DOUILLE	BÜCHSE	HEVILLA
19	05.5004.00	PULEGGIA		POULIE TRAPEZIOIDALE	V-BELT PULLEY	KEILRIEMENSCHLEIBE	POLEA
20	01.1032.00	DISTANZIALE	L=95	SPACER	EPAISSEUR	DISTANZSCHEIBE	ESPACIADOR
20	01.1034.00	DISTANZIALE	L=65	SPACER	EPAISSEUR	DISTANZSCHEIBE	ESPACIADOR



Pos	Code	Descrizione	Note	Description	Description	Beschreibung	Descripcìon
20	01.1036.00	DISTANZIALE	L=40	SPACER	EPAISSEUR	DISTANZSCHEIBE	ESPACIADOR

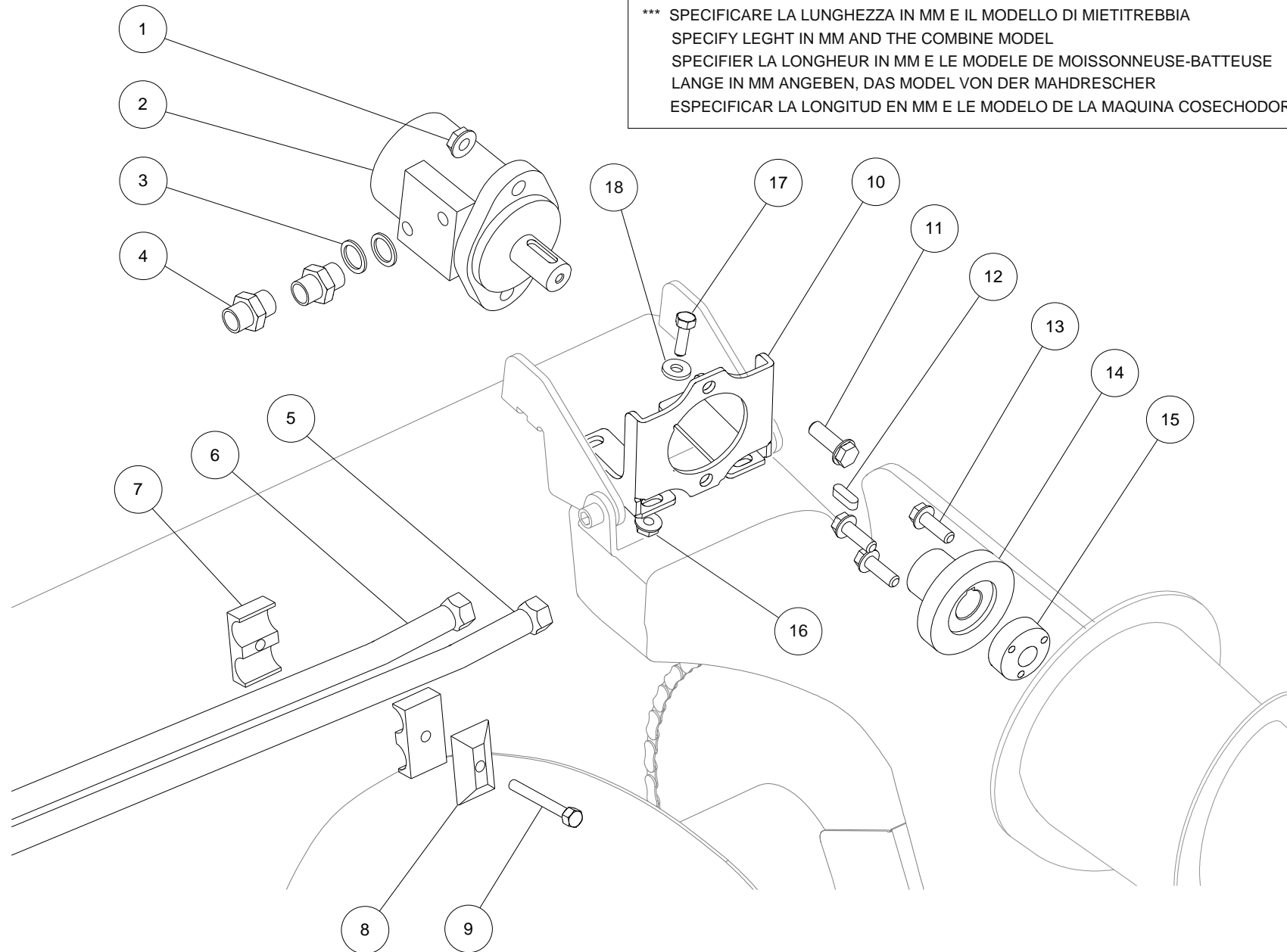


Pos	Code	Descrizione	Note	Description	Description	Beschreibung	Descripcìon
1	03.2075.00	PULEGGIA		POULIE TRAPEZIOIDALE	V-BELT PULLEY	KEILRIEMENSCHIEBE	POLEA
2	PMT-000034	LINGUETTA	8X7X25	KNOTTER TONGUE	LANGUETTE	KNOTERERZUNGE	LENGUETA
3	PMT-000167	CINGHIA		BELT	COURROIE	RIEMEN	CORREA
4	03.4136.00	CHIUSURA SINISTRA		LEFT CLOSURE	CLÔTURE GAUCHE	SCHLIESSEN LINKS	CIERRE IZQUIERDA
4	03.4137.00	CHIUSURA DESTRA		RIGHT FRAME ASPO	CLOSURE DROITE	SCHLIESSEN RECHTS	CIERRE DERECHA
5	03.4120.01	CARTER DESTRO		RIGHT GUARD	GARANT DROIT	SCHUTZ RECHTS	CARTER DERECHO
5	03.4121.01	CARTER SINISTRO		LEFT CARTER	CARTER GAUCHE	CARTER LINKS	CARTER IZQUIERDO
6	05.5047.00	CARTER DESTRO		RIGHT GUARD	GARANT DROIT	SCHUTZ RECHTS	CARTER DERECHO
6	05.5048.00	CARTER SINISTRO		LEFT CARTER	CARTER GAUCHE	CARTER LINKS	CARTER IZQUIERDO
8	PMF-000034	VITE TENSILOCK	M8X20	SECURING SCREW TENSILOCK	VIS TENSILOCK	SCHRAUBE TENSILOCK	TORNILLO TENSILOCK
9	03.4126.00	CARTER SINISTRO		LEFT CARTER	CARTER GAUCHE	CARTER LINKS	CARTER IZQUIERDO
9	03.4127.00	CARTER DESTRO		RIGHT GUARD	GARANT DROIT	SCHUTZ RECHTS	CARTER DERECHO
10	PMF-000060	DADO TENSILOCK	M12	SECURING NUT TENSILOCK	ECROU TENSILOCK	SICHERUNGSMUTTER TENSILOCK	CONTRATUERCA TENSILOCK
11	PMF-000051	RONDELLA	13X22X3	WASHER	RONDELLE	SCHEIBE	ARANDELLA
12	PMF-000028	VITE STEI	M10X20	GRUB SCREW	GOUPILLE	NUT	TORNILLO
13	05.5043.00	TENDICATENA		TENSION CHAINE	CHAIN TENSION	KETTENSANNBLOCK ANTRIEB	SENSOR DE CADENA
14	PMF-000328	ANELLO ELASTICO	I 40X1.75	CIRCLIP	CIRCLIP	SICHERUNGSRING	ANILLO ELASTICO
15	02.2100.00	CUSCINETTO		BEARING	ROULEMENT	PENDELKUGELLAGER	COJINETE
16	01.4950.00	BOCCOLA		BUSHING	DOUILLE	BÜCHSE	HEVILLA
17	PMF-000032	VITE TBQS	M12X50	COACH SCREW	VIS A TETE BOMBEE	FLACHRUNDSCHRAUBE	TORNILLO
18	01.1027.00	PROLUNGA		EXTENSION	EXTENSION	ERWEITERUNG	AMPLIACIÓN
19	05.5020.00	PULEGGIA		POULIE TRAPEZIOIDALE	V-BELT PULLEY	KEILRIEMENSCHIEBE	POLEA
20	01.1191.00	BOCCOLA		BUSHING	DOUILLE	BÜCHSE	HEVILLA
21	01.1035.00	DISTANZIALE		SPACER	EPAISSEUR	DISTANZSCHEIBE	ESPACIADOR
22	PMF-000047	VITE TENSILOCK	M8X16	SECURING SCREW TENSILOCK	VIS TENSILOCK	SCHRAUBE TENSILOCK	TORNILLO TENSILOCK

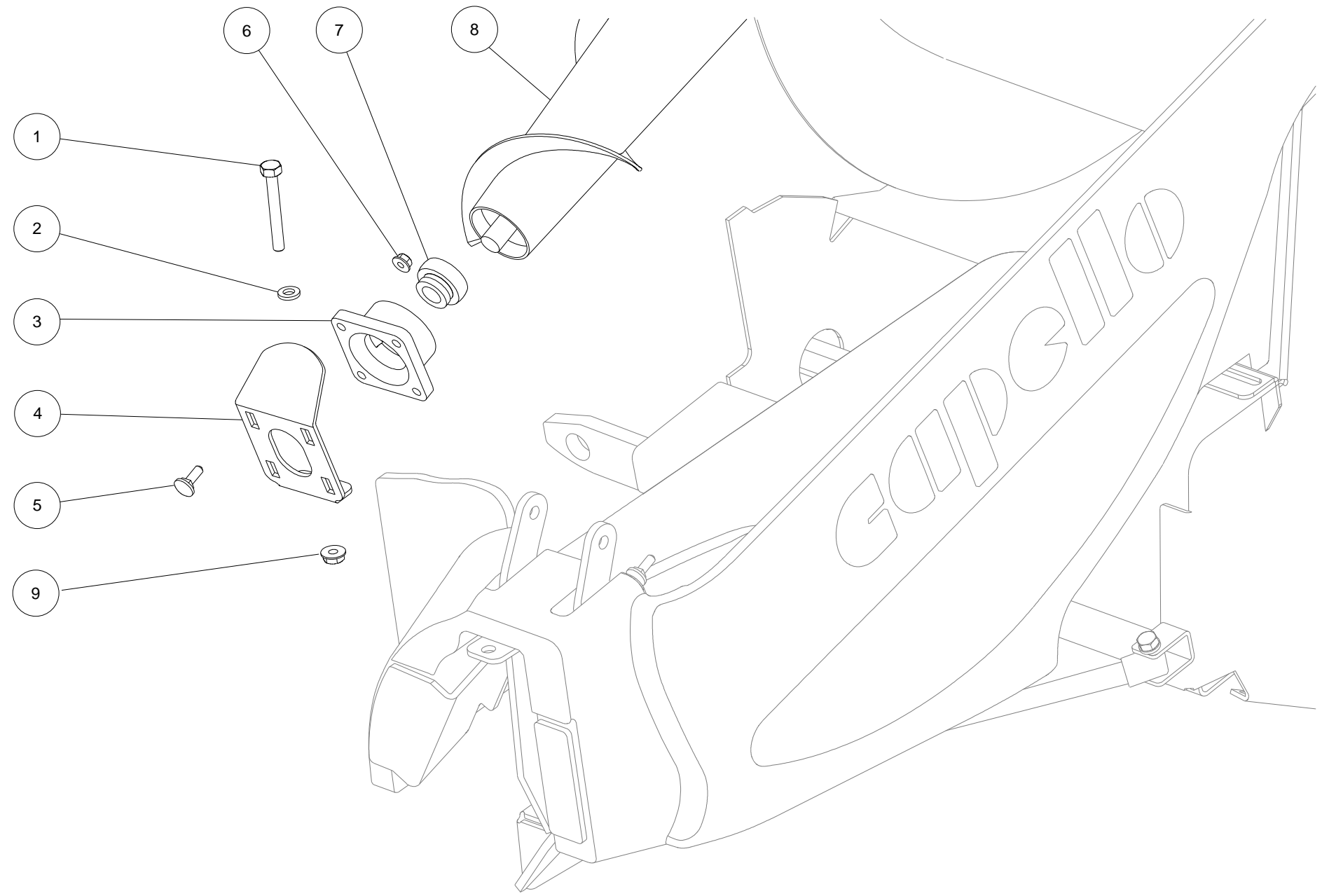


Pos	Code	Descrizione	Note	Description	Description	Beschreibung	Descripcìon
1	01.1022.00	STAFFA		BRACKET	SUPPORT	BUEGEL	SOPORTE
2	PMF-000179	VITE TE	M6X20	HEXAGONAL SCREW	VIS SIX PANS	SECHSKANTSCHRAUBE	TORNILLO
3	05.5046.00	SUPPORTO		SUPPORT	SUPPORT	ABSTUZUNG	SOPORTE
4	PMF-000101	DADO AUTOBLOCCANTE	M6	SECURING NUT	ECROU INDESSERRAB	SICHERUNGSMUTTER	CONTRATUERCA
5	PMF-000080	VITE TE	M10X120	HEXAGONAL SCREW	VIS SIX PANS	SECHSKANTSCHRAUBE	TORNILLO
6	PMF-000105	RONDELLA	10.5X20X2	WASHER	RONDELLE	SCHEIBE	ARANDELLA
7	01.1010.01	CERNIERA		HINGE	CHARNIERE	SCHARNIER	BISAGRA
8	05.5002.00	SCATOLA INGRANAGGI		BOITIER D'ENTRAINEMENT	GEARBOX	GETRIEBE	CAJA DE ENGRANAJES
9	05.5045.00	SUPPORTO		SUPPORT	SUPPORT	ABSTUZUNG	SOPORTE
10	PMF-000016	DADO TENSILOCK	M8	SECURING NUT TENSILOCK	ECROU TENSILOCK	SICHERUNGSMUTTER TENSILOCK	CONTRATUERCA TENSILOCK
11	PMF-000047	VITE TENSILOCK	M8X16	SECURING SCREW TENSILOCK	VIS TENSILOCK	SCHRAUBE TENSILOCK	TORNILLO TENSILOCK
12	01.1021.00	VITE TE		HEXAGONAL SCREW	VIS SIX PANS	SECHSKANTSCHRAUBE	TORNILLO
13	PMF-000012	DADO TENSILOCK	M10	SECURING NUT TENSILOCK	ECROU TENSILOCK	SICHERUNGSMUTTER TENSILOCK	CONTRATUERCA TENSILOCK
14	PMF-000132	VITE TE	M10X30	HEXAGONAL SCREW	VIS SIX PANS	SECHSKANTSCHRAUBE	TORNILLO
15	PMF-000391	RONDELLA	10.5X18	WASHER	RONDELLE	SCHEIBE	ARANDELLA
16	PMT-000034	LINGUETTA	8X7X25	KNOTTER TONGUE	LANGUETTE	KNOTERERZUNGE	LENGUETA
17	PMF-000043	VITE TENSILOCK	M10X30	SECURING SCREW TENSILOCK	VIS TENSILOCK	SCHRAUBE TENSILOCK	TORNILLO TENSILOCK
18	05.5069.01	MOZZO DI TRASMISSIONE		HUB	MOYEU	NABE	CUBO
19	01.1014.00	CARTER		GUARD	GARANT	SCHUTZ	PROTECCION

*** SPECIFICARE LA LUNGHEZZA IN MM E IL MODELLO DI MIETITREBBIA
 SPECIFY LENGTH IN MM AND THE COMBINE MODEL
 SPECIFIER LA LONGHEUR EN MM E LE MODELE DE MOISSONNEUSE-BATTEUSE
 LANGE IN MM ANGEBEN, DAS MODEL VON DER MAHDRESCHER
 ESPECIFICAR LA LONGITUD EN MM E LE MODELO DE LA MAQUINA COSECHODORA



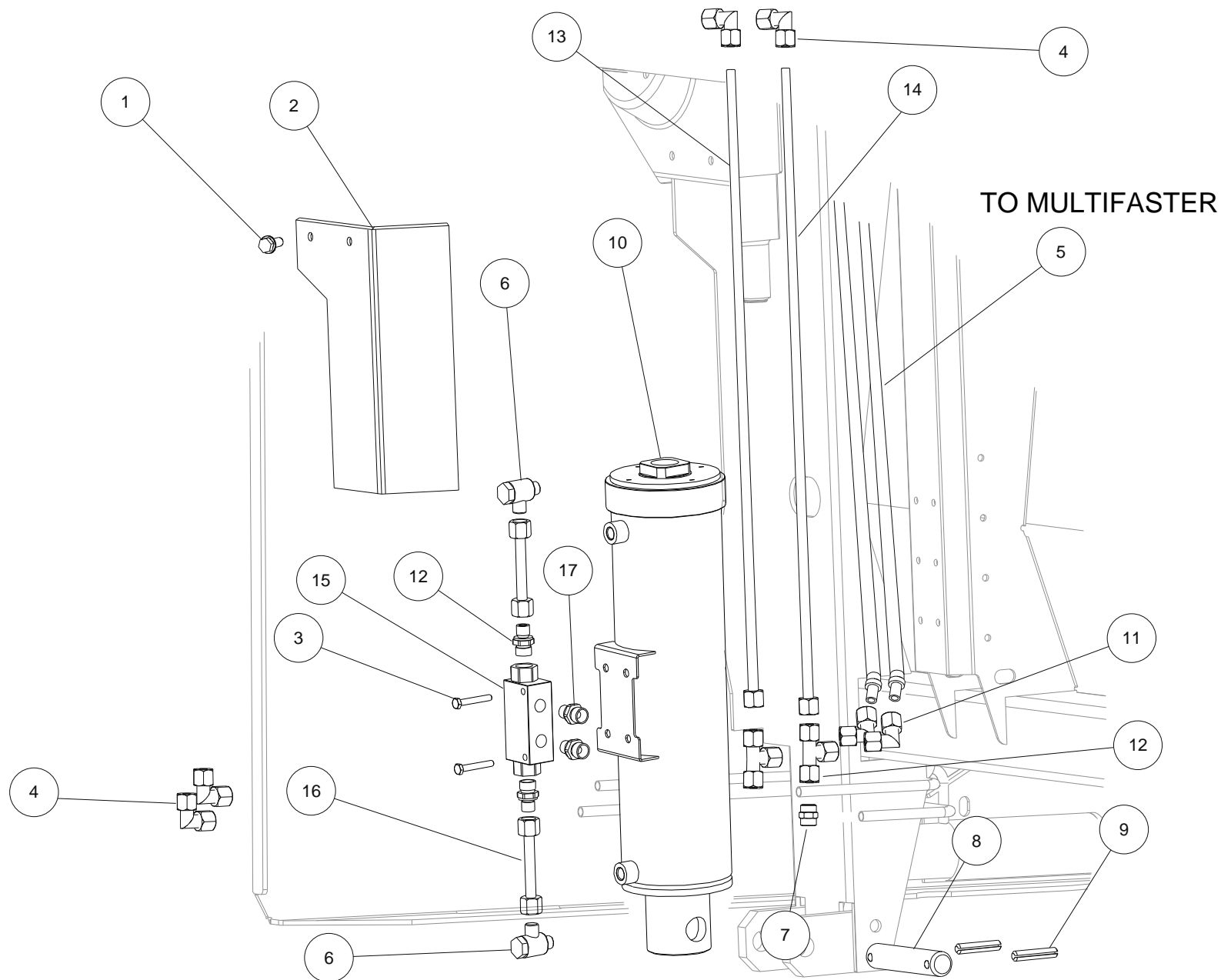
Pos	Code	Descrizione	Note	Description	Description	Beschreibung	Descripcìon
1	PMF-000060	DADO TENSILOCK	M12	SECURING NUT TENSILOCK	ECROU TENSILOCK	SICHERUNGSMUTTER TENSILOCK	CONTRATUERCA TENSILOCK
2	03.4067.00	MOTORE IDRAULICO		HIDROSTATIC MOTOR	MOTEUR HYDRAULIQUE	HYDRAULIKMOTOR	MOTOR HIDRAULICO
3	PO-000032	GUARNIZIONE BONDED		SEAL FOR TAP GAS	JOINT POUR FILET GAZ	DICHTUNG	ARANDELLA
4	PO-000128	RACCORDO		CONNECTOR	RACCORD	ANSCHLUSSSTUTZEN	RACOR
5	***	TUBO FLESSIBILE	F 1/2" - F 1/2"	TYBE FLEXIBLE	HYDRAULIC PIPE	SCHLAUCH	TUBO
6	***	TUBO FLESSIBILE		TYBE FLEXIBLE	HYDRAULIC PIPE	SCHLAUCH	TUBO
7	PO-000132	COLLARE DOPPIO		DUOBLE CLAMP	SUPPORT	BUGELHALTER	SOPORTE
8	PO-000181	PIASTRA		PLATE	PLAQUE	PLATTE	PLACA
9	02.2400.00	VITE TE	M8X60	HEXAGONAL SCREW	VIS SIX PANS	SECHSKANTSCHRAUBE	TORNILLO
10	05.5081.00	SUPPORTO		SUPPORT	SUPPORT	ABSTUZZUNG	SOPORTE
11	PMF-000042	VITE TENSILOCK	M12X30	SECURING SCREW TENSILOCK	VIS TENSILOCK	SCHRAUBE TENSILOCK	TORNILLO TENSILOCK
12	PMT-000060	LINGUETTA	8X7X30	KNOTTER TONGUE	LANGUETTE	KNOTERERZUNGE	LENGUETA
13	PMF-000043	VITE TENSILOCK	M10X30	SECURING SCREW TENSILOCK	VIS TENSILOCK	SCHRAUBE TENSILOCK	TORNILLO TENSILOCK
14	05.5006.00	MOZZO DI TRASMISSIONE		HUB	MOYEU	NABE	CUBO
15	01.1625.00	DISTANZIALE		SPACER	EPAISSEUR	DISTANZSCHEIBE	ESPACIADOR
16	PMF-000012	DADO TENSILOCK	M10	SECURING NUT TENSILOCK	ECROU TENSILOCK	SICHERUNGSMUTTER TENSILOCK	CONTRATUERCA TENSILOCK
17	PMF-000040	VITE TENSILOCK	M10X25	SECURING SCREW TENSILOCK	VIS TENSILOCK	SCHRAUBE TENSILOCK	TORNILLO TENSILOCK
18	PMF-000105	RONDELLA	10.5X20X2	WASHER	RONDELLE	SCHEIBE	ARANDELLA



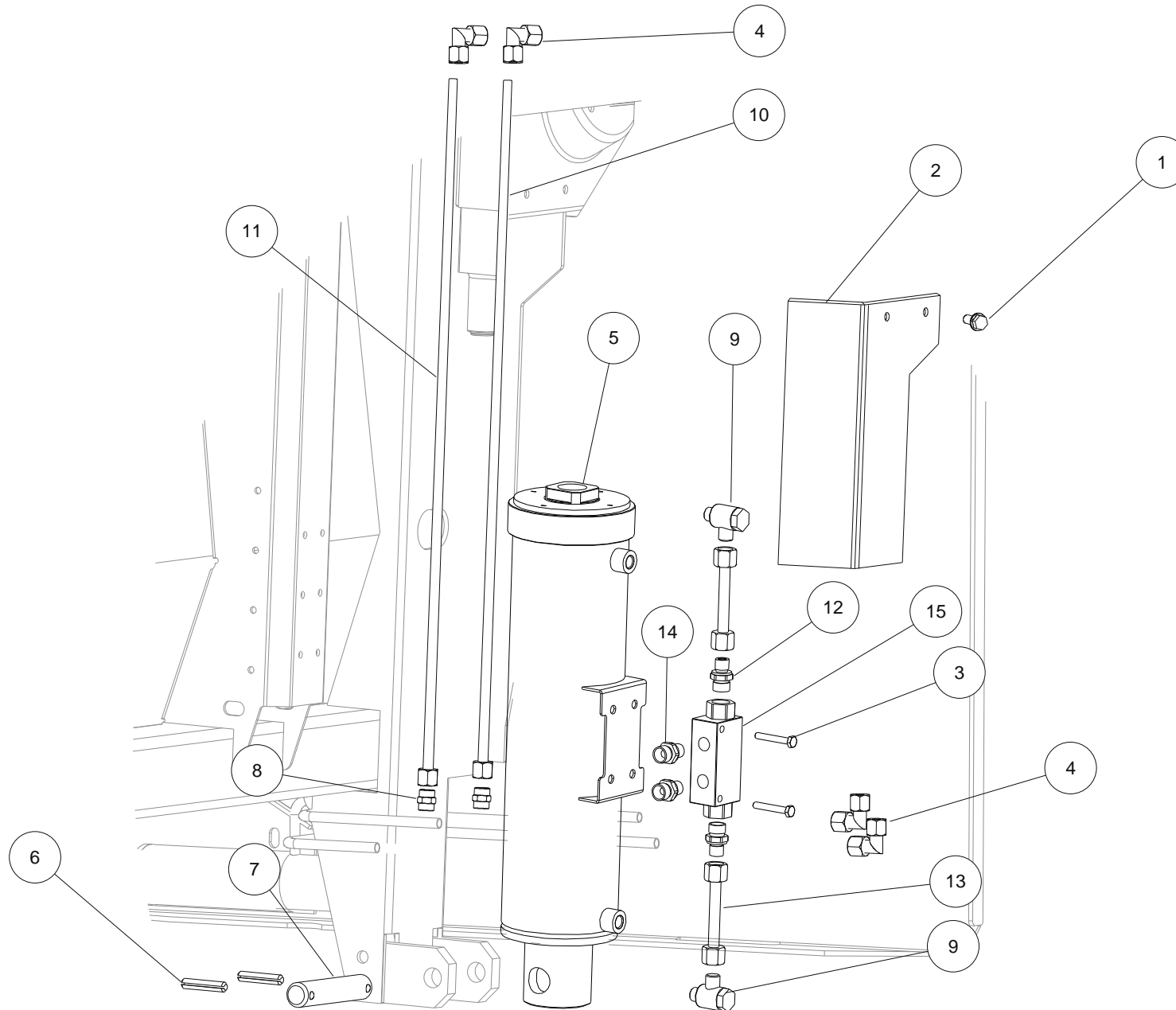
Pos	Code	Descrizione	Note	Description	Description	Beschreibung	Descripcìon
1	02.1062.00	VITE TE	M10X70	HEXAGONAL SCREW	VIS SIX PANS	SECHSKANTSCHRAUBE	TORNILLO
2	PMF-000105	RONDELLA	10.5X20X2	WASHER	RONDELLE	SCHEIBE	ARANDELLA
3	02.2410.00	SUPPORTO CUSCINETTO		SUPPORT BEARING	SUPPORT ROULEMENT	BUGELHALTER PENDELKUGELLAGEI	SOPORTE COJINETTE
4	01.1090.00	SUPPORTO		SUPPORT	SUPPORT	ABSTUZUNG	SOPORTE
5	PMF-000216	VITE TBQS	M8X25	COACH SCREW	VIS A TETE BOMBEE	FLACHRUNDSCHRAUBE	TORNILLO
6	PMF-000016	DADO TENSILOCK	M8	SECURING NUT TENSILOCK	ECROU TENSILOCK	SICHERUNGSMUTTER TENSILOCK	CONTRATUERCA TENSILOCK
7	02.2415.00	CUSCINETTO A SFERE		BALL BEARING	ROULEMENT A BILLES	KUGELLAGER	RODAMIENTO DE BOLAS
8	05.5000.00	COCLEA DESTRA		RIGHT AUGER	VIS SANS FIN DROITE	SCHNECKE RECHTS	SINFIN DERECHA
8	05.5001.00	COCLEA SINISTRA		LEFT AUGER	VIS D'ALIMENTATION GAUCHE	SCHNECKE LINKS	SINFIN IZQUIERDA
9	PMF-000068	DADO AUTOBLOCCANTE	M10	SECURING NUT	ECROU INDESSERRAB	SICHERUNGSMUTTER	CONTRATUERCA

LEFT OPEN MACHINE CILINDER

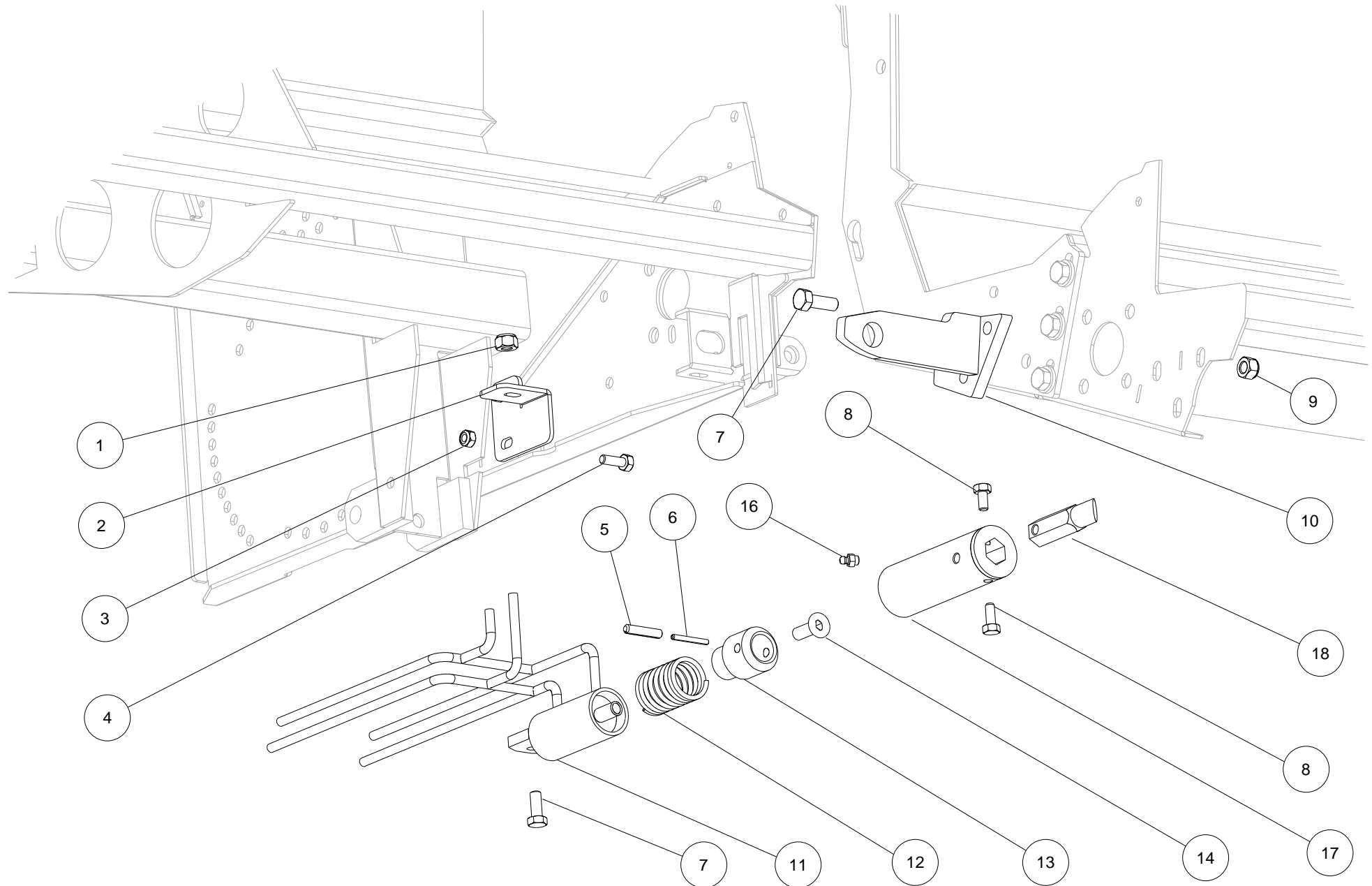
CILINDRO APERTURA MACCHINA SINISTRO



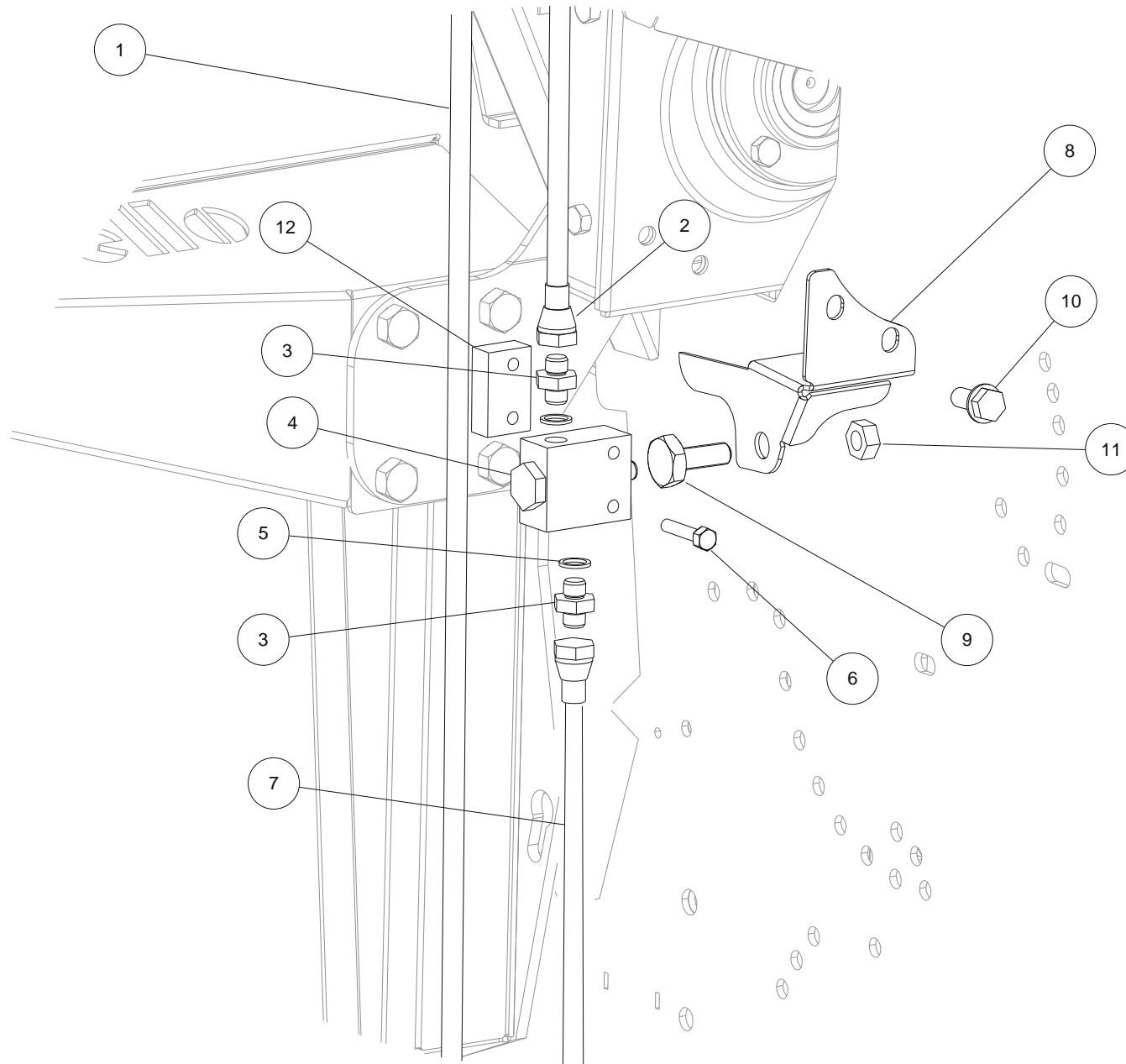
Pos	Code	Descrizione	Note	Description	Description	Beschreibung	Descripcìon
1	PMF-000064	VITE TENSILOCK	M10X20	SCREW TENSILOCK	VIS TENSILOCK	SCHRAUBE TENSILOCK	TORNILLO TENSILOCK
2	01.3524.00	CARTER SINISTRO		LEFT CARTER	CARTER GAUCHE	CARTER LINKS	CARTER IZQUIERDO
3	PMF-000692	VITE TE		HEXAGONAL SCREW	VIS SIX PANS	SECHSKANTSCHRAUBE	TORNILLO
4	PO-000074	RACCORDO		CONNECTOR	RACCORD	ANSCHLUSSSTUTZEN	RACOR
5	M1-70047	TUBO FLESSIBILE	CLAAS	HYDRAULIC PIPE	TUBE FLEXIBLE	SCHLAUCH	TUBO
5	M1-70049	TUBO FLESSIBILE	NEW HOLLAND	HYDRAULIC PIPE	TUBE FLEXIBLE	SCHLAUCH	TUBO
5	PO-000120	TUBO FLESSIBILE	JD, AGCO, DEUTZ FAHR	TYBE FLEXIBLE	HYDRAULIC PIPE	SCHLAUCH	TUBO
6	PO-000023	RACCORDO		CONNECTOR	RACCORD	ANSCHLUSSSTUTZEN	RACOR
7	PO-000005	RACCORDO		CONNECTOR	RACCORD	ANSCHLUSSSTUTZEN	RACOR
8	01.0265.00	PERNO		TETON	PIVOT	ZAPFEN	PIVOTE
9	PMF-000270	SPINA ELASTICA	6X36	GOUPILLE ELASTIQUE	SPRING CLIP	FEDERSTEKER	PASADOR ELASTICO
10	03.2051.01	CILINDRO IDRAULICO	R5-R6	HYDRAULIC CYLINDER	VERIN HYDRAULIQUE	HYDRAULIKZYLINDER	CILINDRO HIDRAULICO
10	03.2056.01	CILINDRO IDRAULICO	R8	HYDRAULIC CYLINDER	VERIN HYDRAULIQUE	HYDRAULIKZYLINDER	CILINDRO HIDRAULICO
11	PO-000108	RACCORDO A GOMITO		CONNECTOR	RACCORD	ANSCHLUSSSTUTZEN	RACOR
12	03.5188.00	RACCORDO		CONNECTOR	RACCORD	ANSCHLUSSSTUTZEN	RACOR
13	03.5054.00	TUBO RIGIDO	L=640	TUBE	TUBE	SCHLAUCH	TUBO
14	03.5053.00	TUBO RIGIDO	L=650	TUBE	TUBE	SCHLAUCH	TUBO
15	03.4060.00	VALVOLA		VALVE	CLAPET	VENTIL	VÁLVULA
16	01.3540.00	TUBO RIGIDO		TUBE	TUBE	SCHLAUCH	TUBO
17	PO-000173	RACCORDO		CONNECTOR	RACCORD	ANSCHLUSSSTUTZEN	RACOR



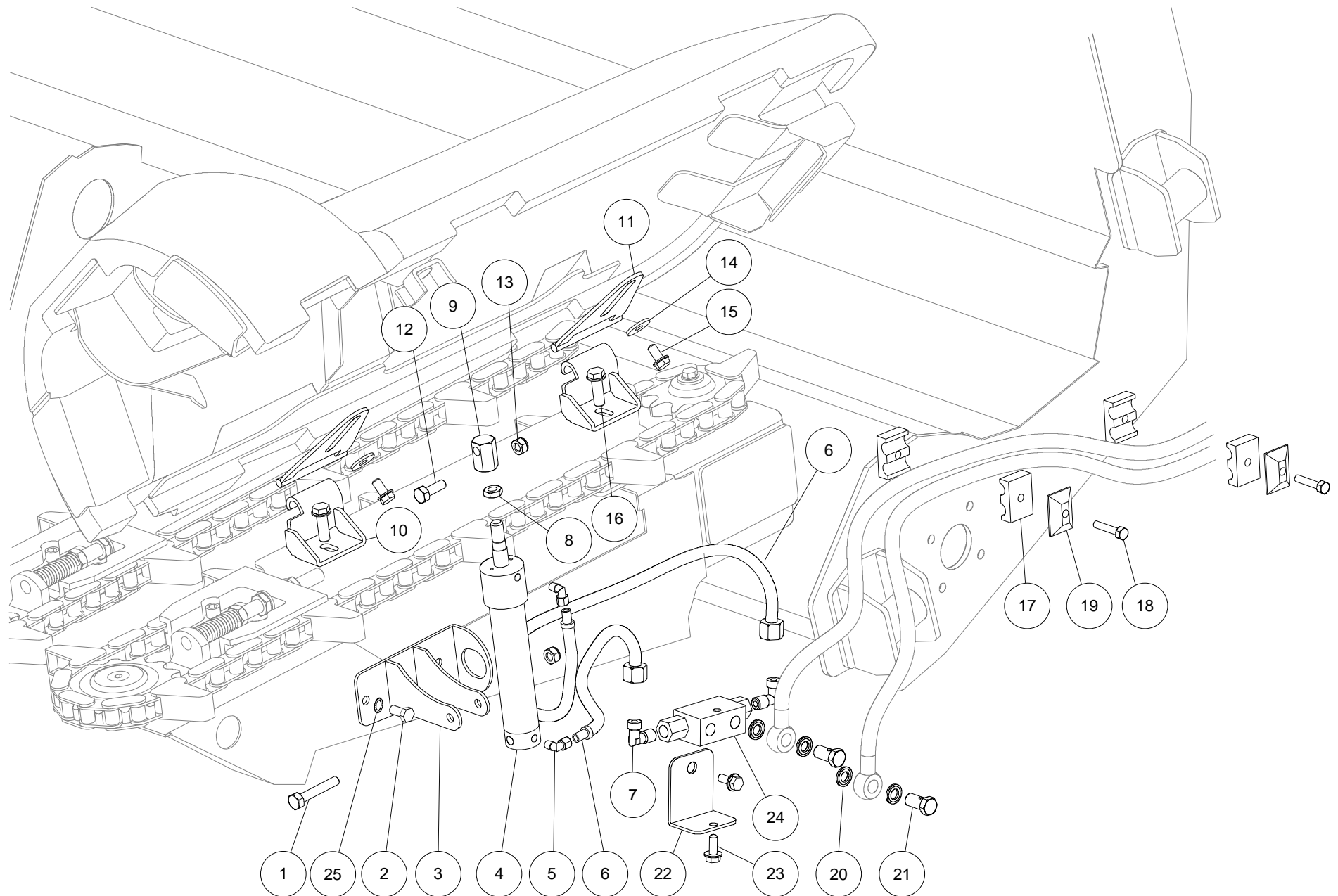
Pos	Code	Descrizione	Note	Description	Description	Beschreibung	Descripcìon
1	PMF-000064	VITE TENSILOCK	M10X20	SCREW TENSILOCK	VIS TENSILOCK	SCHRAUBE TENSILOCK	TORNILLO TENSILOCK
2	01.3525.00	CARTER DESTRO		RIGHT GUARD	GARANT DROIT	SCHUTZ RECHTS	CARTER DERECHO
3	PMF-000692	VITE TE		HEXAGONAL SCREW	VIS SIX PANS	SECHSKANTSCHRAUBE	TORNILLO
4	PO-000074	RACCORDO		CONNECTOR	RACCORD	ANSCHLUSSSTUTZEN	RACOR
5	03.2051.01	CILINDRO IDRAULICO	R5-R6	HYDRAULIC CYLINDER	VERIN HYDRAULIQUE	HYDRAULIKZYLINDER	CILINDRO HIDRAULICO
5	03.2056.01	CILINDRO IDRAULICO	R8	HYDRAULIC CYLINDER	VERIN HYDRAULIQUE	HYDRAULIKZYLINDER	CILINDRO HIDRAULICO
6	PMF-000270	SPINA ELASTICA	6X36	GOUPILLE ELASTIQUE	SPRING CLIP	FEDERSTEKER	PASADOR ELASTICO
7	01.0265.00	PERNO		TETON	PIVOT	ZAPFEN	PIVOTE
8	PO-000005	RACCORDO		CONNECTOR	RACCORD	ANSCHLUSSSTUTZEN	RACOR
9	PO-000023	RACCORDO		CONNECTOR	RACCORD	ANSCHLUSSSTUTZEN	RACOR
10	03.5052.00	TUBO RIGIDO	L=680	TUBE	TUBE	SCHLAUCH	TUBO
11	03.5053.00	TUBO RIGIDO	L=650	TUBE	TUBE	SCHLAUCH	TUBO
12	03.5188.00	RACCORDO		CONNECTOR	RACCORD	ANSCHLUSSSTUTZEN	RACOR
13	01.3540.00	TUBO RIGIDO		TUBE	TUBE	SCHLAUCH	TUBO
14	PO-000173	RACCORDO		CONNECTOR	RACCORD	ANSCHLUSSSTUTZEN	RACOR
15	03.4060.00	VALVOLA		VALVE	CLAPET	VENTIL	VÁLVULA



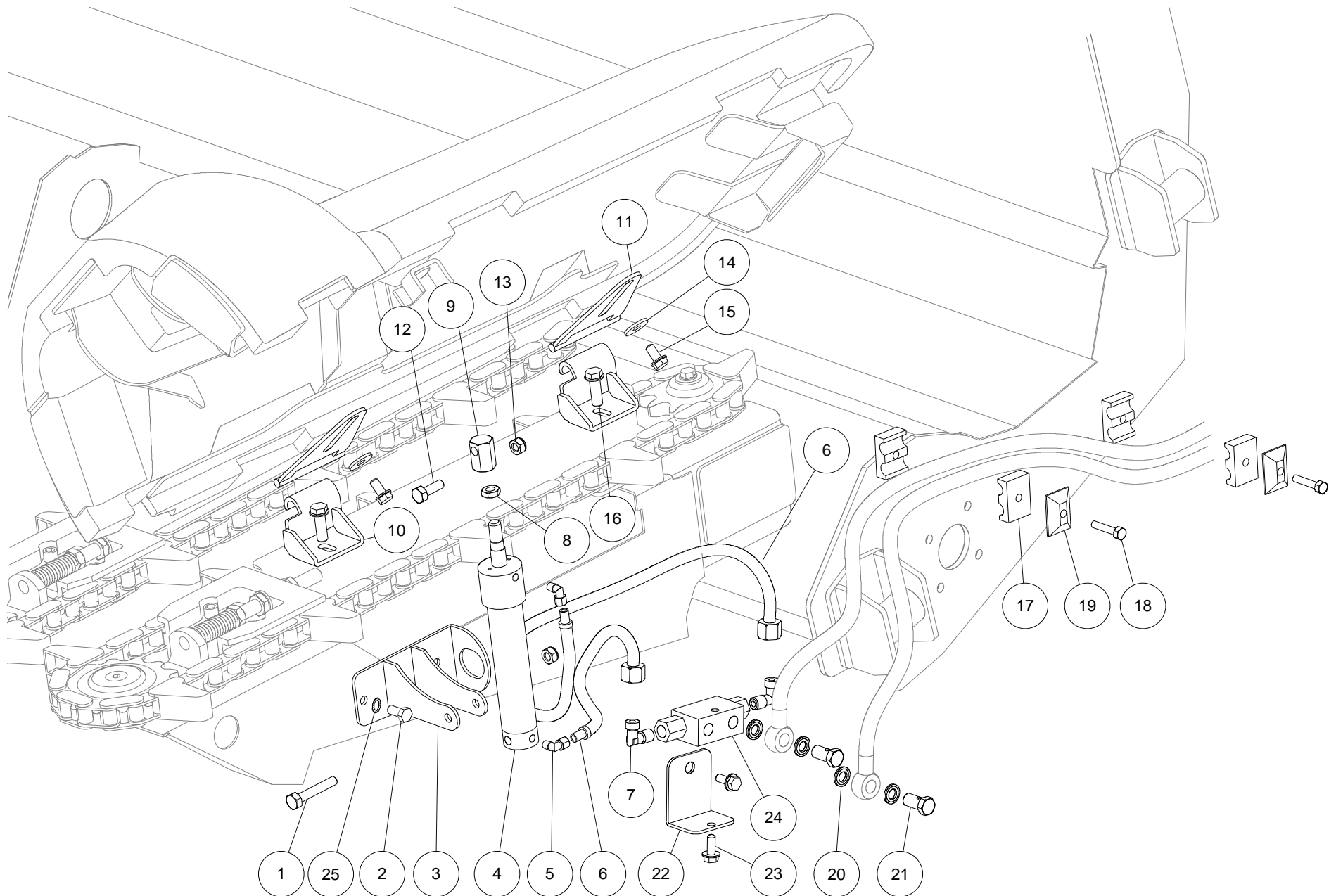
Pos	Code	Descrizione	Note	Description	Description	Beschreibung	Descripcìon
1	PMF-000024	DADO AUTOBLOCCANTE	M12	SECURING NUT	ECROU INDESSERRAB	SICHERUNGSMUTTER	CONTRATUERCA
2	M1-70031	SUPPORTO SINISTRO		LEFT BRACKET	SUPPORT GAUCHE	BUGELHALTER LINKS	SOPORTE IZQUIERDO
2	M1-70032	SUPPORTO DESTRO		RIGHT SUPPORT	SUPPORT DROITE	BUEGEL RECHTS	SOPORTE DERECHO
3	PMF-000012	DADO TENSILOCK	M10	SECURING NUT TENSILOCK	ECROU TENSILOCK	SICHERUNGSMUTTER TENSILOCK	CONTRATUERCA TENSILOCK
4	PMF-000040	VITE TENSILOCK	M10X25	SECURING SCREW TENSILOCK	VIS TENSILOCK	SCHRAUBE TENSILOCK	TORNILLO TENSILOCK
5	PMF-000218	COPIGLIA	10X45	SPRING CLIP	GOUPILLE ELASTIQUE	FEDERSPLINT	CHAVETA
6	PMF-000219	COPIGLIA	6X45	SPRING CLIP	GOUPILLE ELASTIQUE	FEDERSPLINT	CHAVETA
7	PMF-000252	VITE TENSILOCK	M12X35	SECURING SCREW TENSILOCK	VIS TENSILOCK	SCHRAUBE TENSILOCK	TORNILLO TENSILOCK
8	PMF-000134	VITE TE	M10X20	HEXAGONAL SCREW	VIS SIX PANS	SECHSKANTSCHRAUBE	TORNILLO
9	PMF-000060	DADO TENSILOCK	M10	SECURING NUT TENSILOCK	ECROU TENSILOCK	SICHERUNGSMUTTER TENSILOCK	CONTRATUERCA TENSILOCK
10	01.0274.00	GANCIO	LEFT	HOOK	CROCHET	VERSCHLUSSHAKEN	GANCHO
10	01.0275.00	GANCIO	RIGHT	HOOK	CROCHET	VERSCHLUSSHAKEN	GANCHO
11	03.2055.00	CILINDRO	RIGHT	CYLINDER	VERIN	ZYLINDER	CILINDRO
11	03.2060.00	CILINDRO	LEFT	CYLINDER	VERIN	ZYLINDER	CILINDRO
12	M1-70029	MOLLA		COMPRESS SPRING	RESSORT	DRUCKFEDER	MUELLE
13	M1-70025	SUPPORTO		SUPPORT	SUPPORT	ABSTUZUNG	SOPORTE
14	PMF-000220	VITE TSEI	M16X30	COUNTERSUNK SCREW	VIS A TETE FRAISEE	SENKSCHEIBE	TORNILLO
16	PMF-000176	INGRASSATORE	M10	GREASE NIPPLE	GRAISSEUR	SCHMIERNIPPEL	ENGRASADOR
17	M2-70003	PROTEZIONE		GUARD	GARANT	SCHUTZ	PROTECCION
18	M1-70028	PERNO		PIVOT	TETON	ZAPFEN	PIVOTE



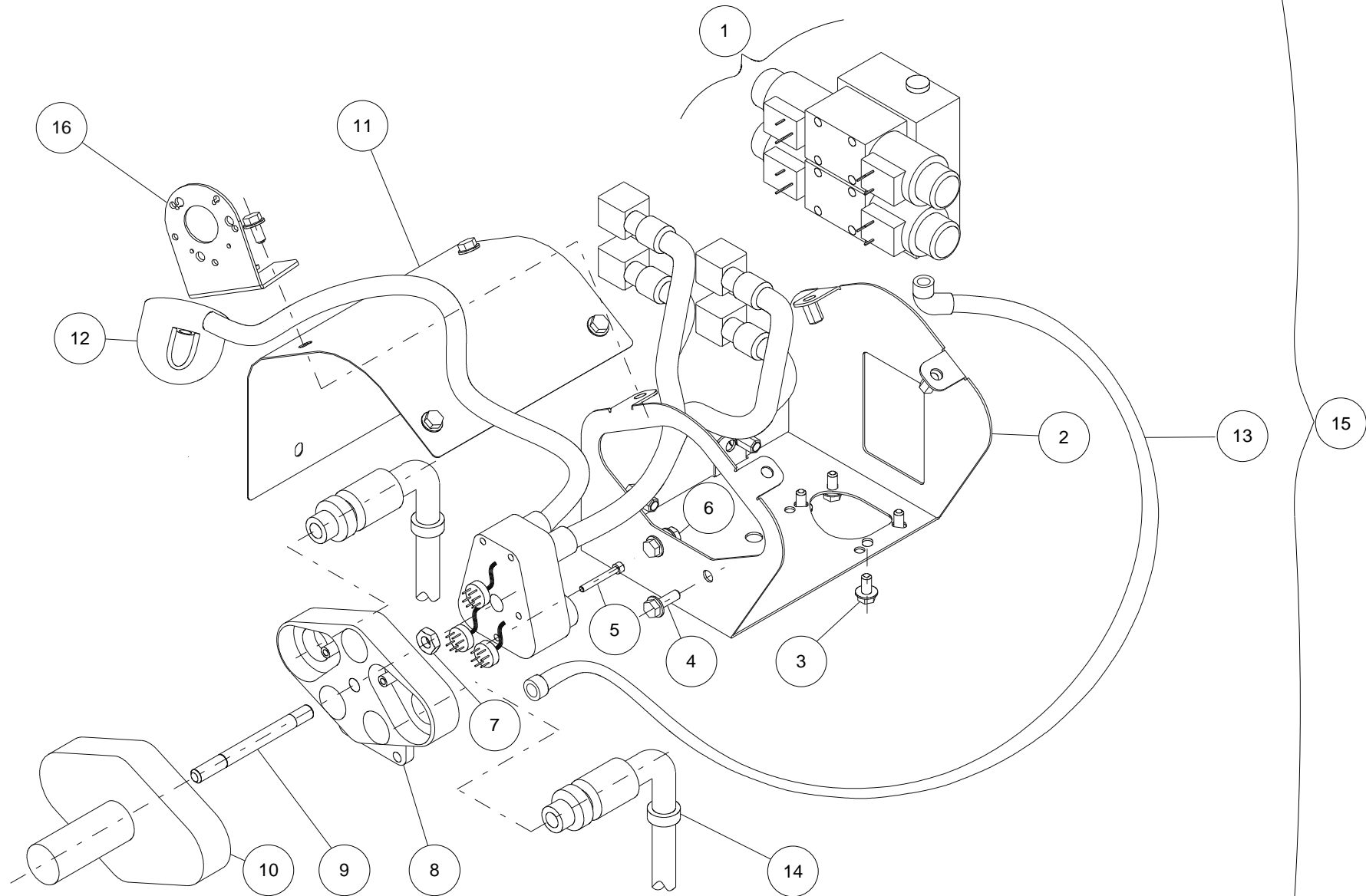
Pos	Code	Descrizione	Note	Description	Description	Beschreibung	Descripcìon
1	03.5048.00	TUBO FLESSIBILE		TYBE FLEXIBLE	HYDRAULIC PIPE	SCHLAUCH	TUBO
2	03.5047.00	TUBO FLESSIBILE		TYBE FLEXIBLE	HYDRAULIC PIPE	SCHLAUCH	TUBO
3	PO-000131	RACCORDO		CONNECTOR	RACCORD	ANSCHLUSSSTUTZEN	RACOR
4	PO-000026	VALVOLA		VALVE	CLAPET	VENTIL	VALVULA
5	PO-000031	RONDELLA BONDED		BONDED SEALS	RONDELLE BONDED	SCHEIBE	ARANDELLA
6	PMF-000035	VITE TE	M8X50	HEXAGONAL SCREW	VIS SIX PANS	SECHSKANTSCHRAUBE	TORNILLO
7	03.4851.00	TUBO FLESSIBILE		HYDRAULIC PIPE	TUBE FLEXIBLE	SCHLAUCH	TUBO
8	01.0280.00	STAFFA SINISTRA		LEFT SUPPORT	SUPPORT GAUCHE	BUGELHALTER LINKS	SOPORTE IZQUIERDO
8	01.0281.00	STAFFA DESTRA		RIGHT SUPPORT	SUPPORT DROIT	BUEGEL RECHTS	SOPORTE DERECHO
9	M1-70034	VITE TE		HEXAGONAL SCREW	VIS SIX PANS	SECHSKANTSCHRAUBE	TORNILLO
10	PMF-000147	VITE TE	M14	HEXAGONAL SCREW	VIS SIX PANS	SECHSKANTSCHRAUBE	TORNILLO
11	PMF-000043	VITE TENSILOCK	M10X30	SECURING SCREW TENSILOCK	VIS TENSILOCK	SCHRAUBE TENSILOCK	TORNILLO TENSILOCK
12	M1-70033	PIASTRA		PLATE	PLAQUE	PLATTE	PLACA



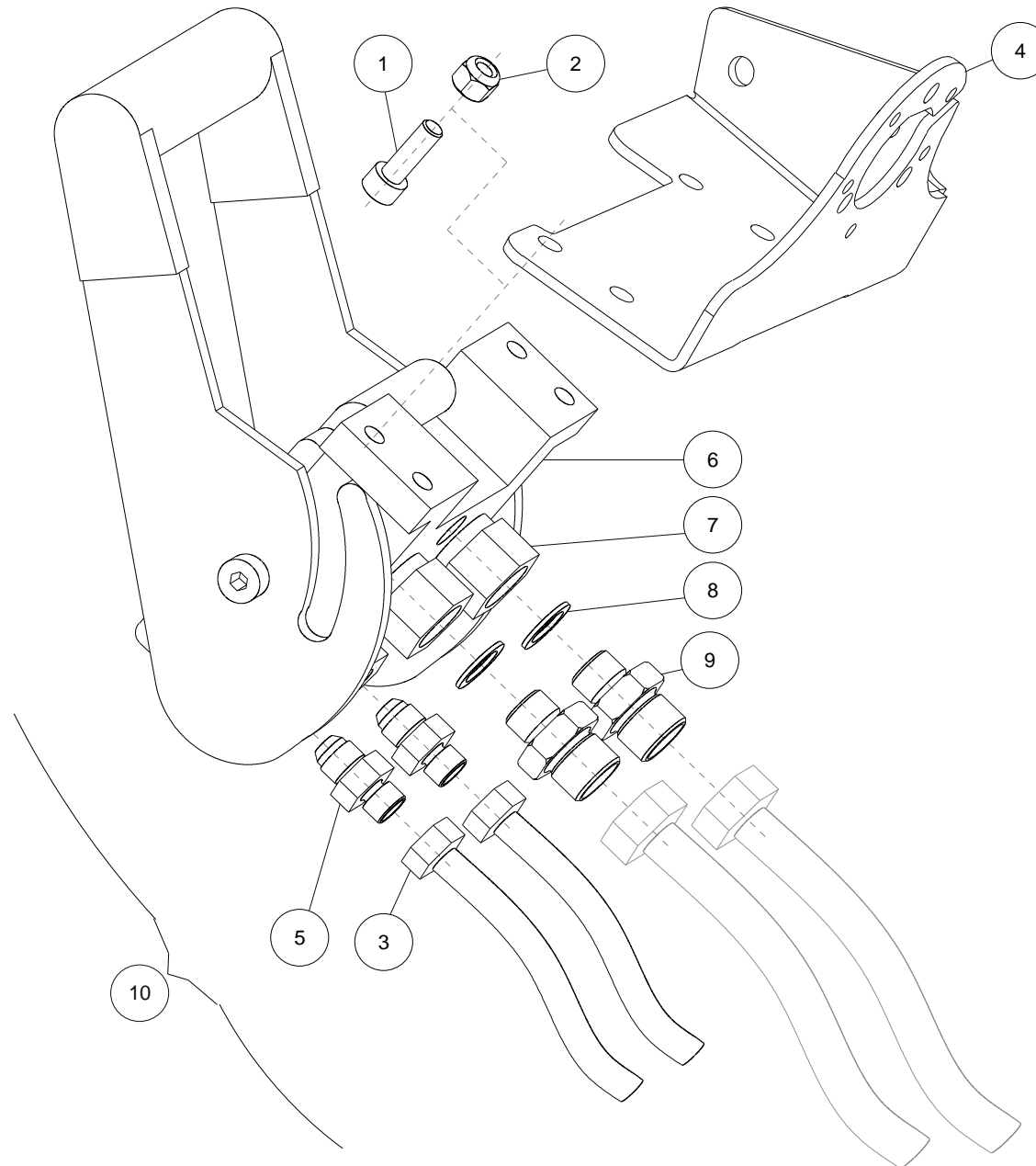
Pos	Code	Descrizione	Note	Description	Description	Beschreibung	Descripció
1	02.1080.00	VITE TE	M10X65	HEXAGONAL SCREW	VIS SIX PANS	SECHSKANTSCHRAUBE	TORNILLO
2	PMF-000134	VITE TE	M10X20	HEXAGONAL SCREW	VIS SIX PANS	SECHSKANTSCHRAUBE	TORNILLO
3	01.0977.00	SUPPORTO SINISTRO		LEFT SUPPORT	SUPPORT GAUCHE	BUGELHALTER LINKS	SOPORTE IZQUIERDO
3	01.0978.00	SUPPORTO DESTRO		RIGHT SUPPORT	SUPPORT DROITE	BUGELHALTER RECHTS	SOPORTE DERECHO
4	03.2242.00	CILINDRO DESTRO	R5-R6	RIGHT CYLINDER	VERIN DROITE	ZYLINDER RECHTS	CILINDRO DERECHO
4	03.2243.00	CILINDRO SINISTRO	R5-R6	LEFT HYDRAULIC CYLINDER	VERIN HIDRAULIQUE GAUCHE	ZYLINDER LINKS	CILINDRO IZQUIERDO
4	03.4859.00	CILINDRO DESTRO	R8	RIGHT HYDRAULIC CYLINDER	VERIN HIDRAULIQUE DROITE	ZYLINDER RECHTS	CILINDRO DERECHO
4	03.4860.00	CILINDRO SINISTRO	R8	LEFT HYDRAULIC CYLINDER	VERIN HIDRAULIQUE GAUCHE	ZYLINDER LINKS	CILINDRO IZQUIERDO
5	05.5059.00	RACCORDO ANGOLARE		ANGLE UNION	RACCORD ANGULAIRE	ANSCHLUSSSTUTZEN	CONEXION
6	M1-70058	TUBO FLESSIBILE	L=350	HYDRAULIC PIPE	TUBE FLEXIBLE	SCHLAUCH	TUBO
7	PO-000072	RACCORDO ANGOLARE		ANGLE UNION	RACCORD ANGULAIRE	ANSCHLUSSSTUTZEN	CONEXION
8	PMF-000421	DADO AUTOBLOCCANTE	M12	SECURING NUT	ECROU INDESSERRAB	SICHERUNGSMUTTER	CONTRATUERCA
9	01.0283.00	BLOCCHETTO ESAGONALE		CONNECTION	BAGUE	VERBINDER	RACOR
10	01.1005.00	CERNIERA DESTRA		RIGHT HINGE	CHARNIERE DROITE	SCHARNIER RECHTS	BISEGRA DERECHA
10	01.1006.00	CERNIERA SINISTRA		LEFT HINGE	CHARNIERE GAUCHE	SCHARNIER LINKS	BISAGRA IZQUIERDA
11	01.0968.00	CERNIERA		HINGE	CHARNIERE	SCHARNIER	BISAGRA
12	PMF-000409	VITE TE	M10X45	HEXAGONAL SCREW	VIS SIX PANS	SECHSKANTSCHRAUBE	TORNILLO
13	PMF-000068	DADO AUTOBLOCCANTE	M10	SECURING NUT	ECROU INDESSERRAB	SICHERUNGSMUTTER	CONTRATUERCA
14	PMF-000075	RONDELLA	10X30X2.5	WASHER	RONDELLE	SCHEIBE	ARANDELLA
15	PMF-000134	VITE TE	M10X20	HEXAGONAL SCREW	VIS SIX PANS	SECHSKANTSCHRAUBE	TORNILLO
16	PMF-000252	VITE TENSILOCK	M12X35	SECURING SCREW TENSILOCK	VIS TENSILOCK	SCHRAUBE TENSILOCK	TORNILLO TENSILOCK
17	PO-000124	SUPPORTO		SUPPORT	SUPPORT	ABSTUZUNG	SOPORTE
18	PMF-000035	VITE TE	M8X50	HEXAGONAL SCREW	VIS SIX PANS	SECHSKANTSCHRAUBE	TORNILLO
19	PO-000093	PIASTRA		PLATE	PLAQUE	PLATTE	PLACA
20	PO-000121	RONDELLA BONDED		BONDED SEALS	RONDELLE BONDED	SCHEIBE	ARANDELLA



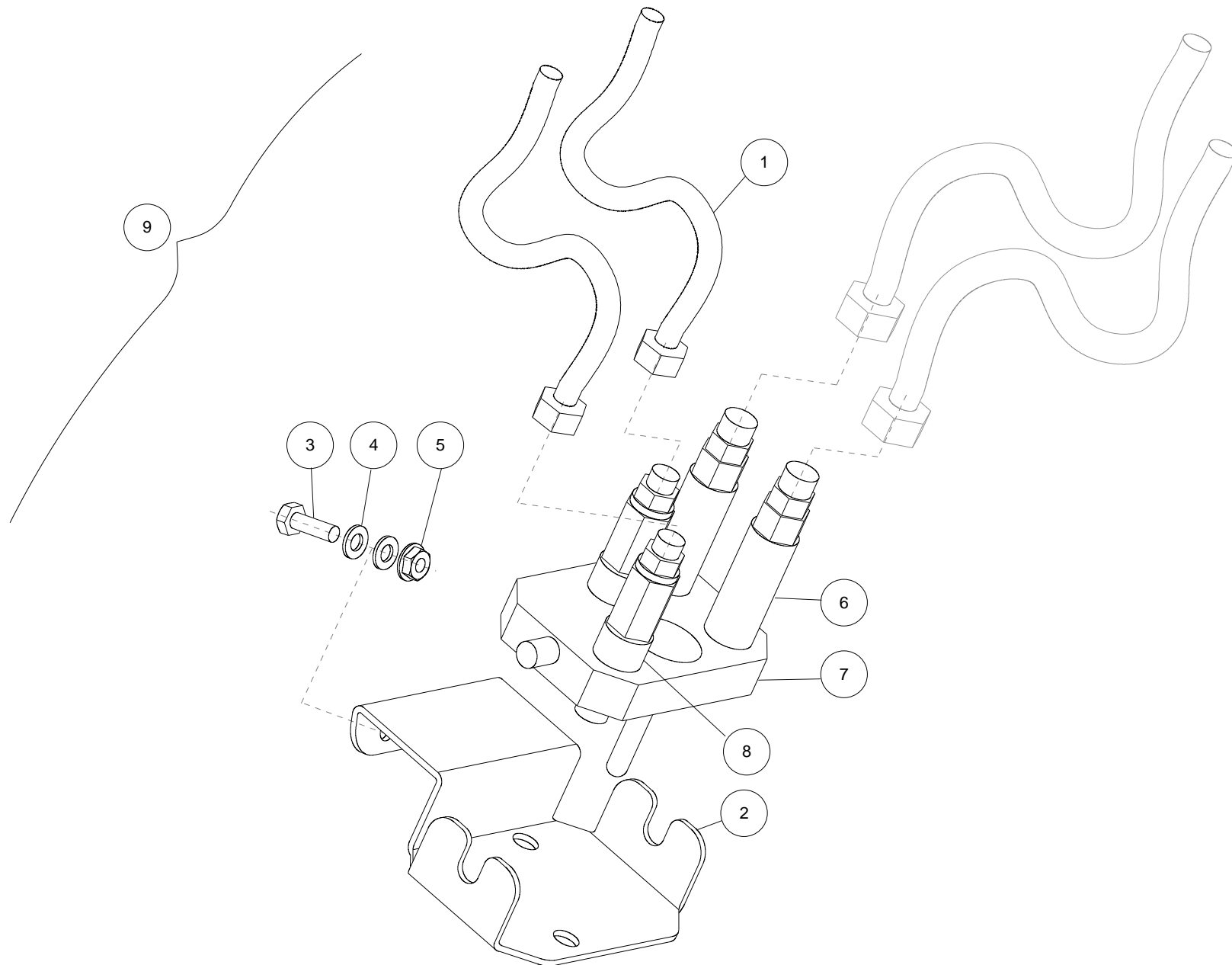
Pos	Code	Descrizione	Note	Description	Description	Beschreibung	Descripcìon
21	PO-000027	VITE CAVA		HOLLOW SCREW	VIS HYDRAULICA	HOHLSCHRAUBE	TORNILLO
22	01.2308.00	SUPPORTO		SUPPORT	SUPPORT	ABSTUZUNG	SOPORTE
23	PMF-000047	VITE TENSILOCK	M8X16	SECURING SCREW TENSILOCK	VIS TENSILOCK	SCHRAUBE TENSILOCK	TORNILLO TENSILOCK
24	PO-000302	VALVOLA		VALVE	CLAPET	VENTIL	VALVULA
25	PMF-000391	RONDELLA	10.5X18X2.7	WASHER	RONDELLE	SCHEIBE	ARANDELLA



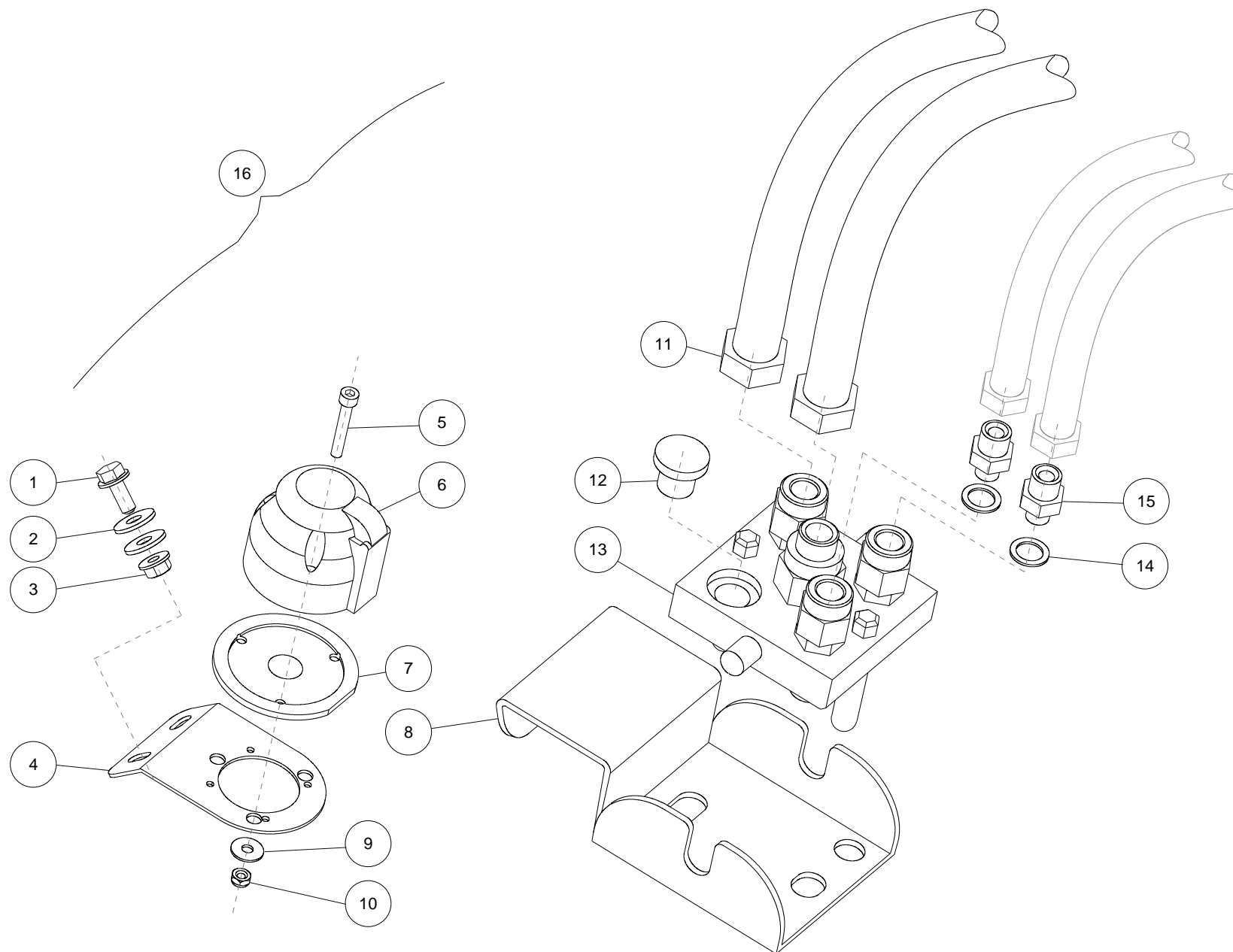
Pos	Code	Descrizione	Note	Description	Description	Beschreibung	Descripcìon
1	PO-000097	ELETTRIVALVOLA COMPLETA	LEXION 5XX/AVERO/TUC.	SOLENOID VALVE COMPLETE	ÉLECTROVALVE COMPLETE	MAGNETVENTILS KOMPLETT	ELECTROVÁLVULA
2	M1-90090	SUPPORTO		SUPPORT	SUPPORT	ABSTUZUNG	SOPORTE
3	PMF-000047	VITE TENSILOCK	M8X16	SECURING SCREW TENSILOCK	VIS TENSILOCK	SCHRAUBE TENSILOCK	TORNILLO TENSILOCK
4	PMF-000041	VITE TENSILOCK	M8X25	SECURING SCREW TENSILOCK	VIS TENSILOCK	SCHRAUBE TENSILOCK	TORNILLO TENSILOCK
5	PMF-000386	VITE TCEI	M5X40	SOCKET HEAD SCREW	VIS CYLINDRIQUE	ZYLINDERSCHRAUBE	TORNILLO
6	PMF-000016	DADO TENSILOCK	M8	SECURING NUT TENSILOCK	ECROU TENSILOCK	SICHERUNGSMUTTER TENSILOCK	CONTRATUERCA TENSILOCK
7	PMF-000421	DADO AUTOBLOCCANTE	M12	SECURING NUT	ECROU INDESSERRAB	SICHERUNGSMUTTER	CONTRATUERCA
8	PE-000043	PIASTRA	LEXION 5XX/AVERO/TUC.	PLATE	PLAQUE	PLATTE	PLACA
9	M1-90092	VITE		SCREW	VIS	SCHRAUBE	TORNILLO
10	PO-000135	TAPPO	LEXION 5XX/AVERO/TUC.	COVER	COUVERCLE	DECKEL	COPERTURA
11	M1-90091	COPERCHIO		COVER	COUVERTURE	DECKEL	COBERTURA
12	PE-000032	CABLAGGIO ELETTRICO	LEXION 5XX/AVERO/TUCANO	ELECTRICAL WIRING	CABLAGE ELECTRIQUE	ELEKTROVERKABELUNG	CABLEADO ELÉCTRICO
13	M1-70048	TUBO FLESSIBILE		HYDRAULIC PIPE	TUBE FLEXIBLE	SCHLAUCH	TUBO
14	M2-70008	RACCORDO	ONLY WITH H. AUGER	CONNECTOR	RACCORD	ANSCHLUSSSTUTZEN	RACOR
15	KM-000022	KIT MULTICOUPLER (CON COCLEE IDRO)	LEXION 5XX/AVERO/TUC.	KIT MULTICOUPLER (WITH HYDR. AUGER)	MULTICOUPLER (AVEC VIS D'ALIMENTATION HYDR.)	MULTICOUPLER (MIT HYDR. SCHNECKE)	MULTICOUPLER (CON SINFIN HIDR.)
15	KM-000050	KIT MULTICOUPLER (SENZA COCLEE IDRO)	LEXION 5XX/AVERO/TUC.	KIT MULTICOUPLER (NO HYDR. AUGER)	MULTICOUPLER (NO VIS D'ALIMENTATION HYDR.)	MULTICOUPLER NO HYDR. SCHNECKE)	MULTICOUPLER (NO SINFIN HIDR.)
16	M1-60003	STAFFA		SUPPORT	SUPPORT	BUEGEL	SOPORTE



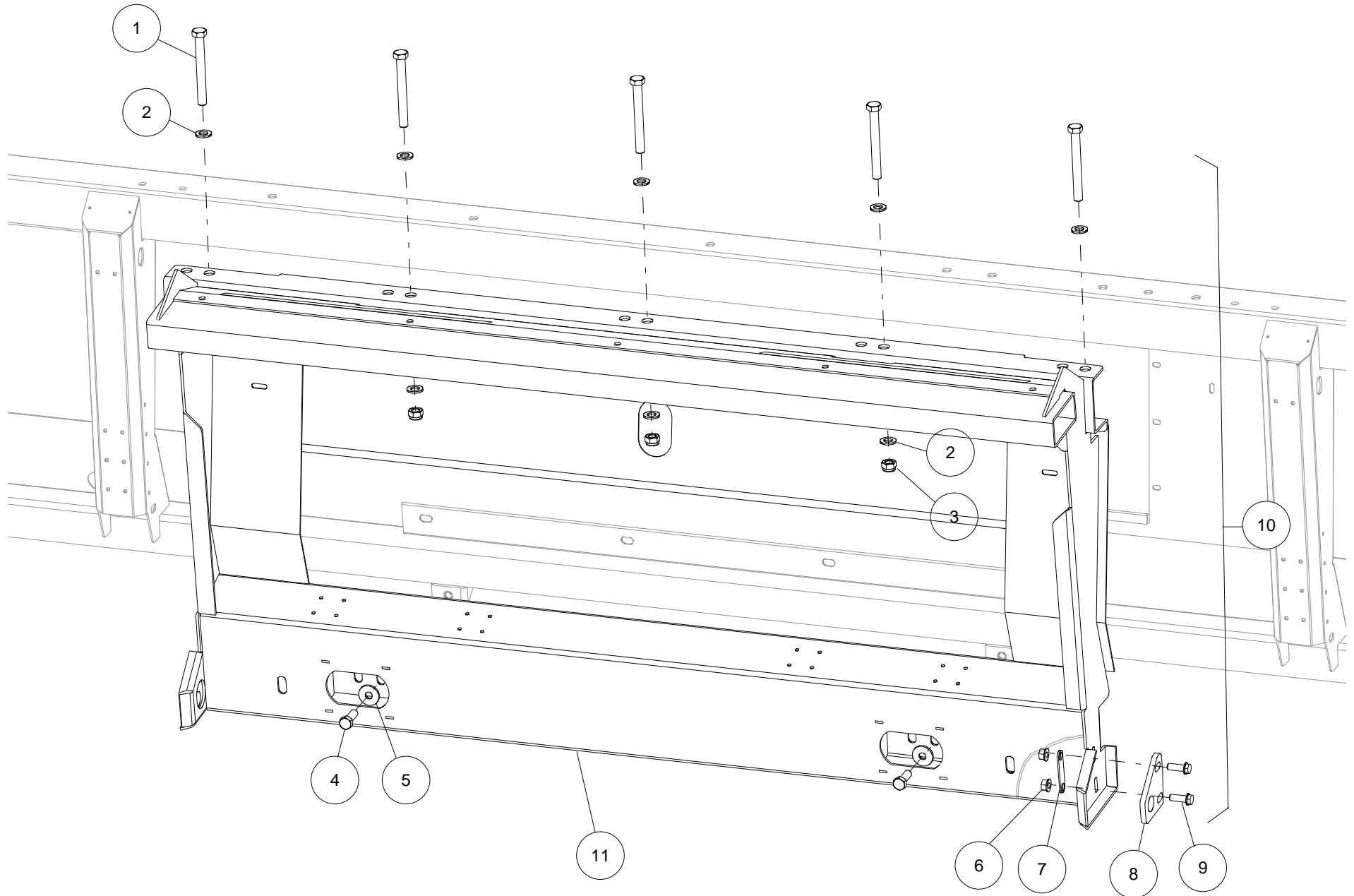
Pos	Code	Descrizione	Note	Description	Description	Beschreibung	Descripcìon
1	PMF-000140	VITE TCEI	M8X20	SOCKET HEAD SCREW	VIS CYLINDRIQUE	ZYLINDERSCHRAUBE	TORNILLO
2	PMF-000016	DADO TENSILOCK	M8	SECURING NUT TENSILOCK	ECROU TENSILOCK	SICHERUNGSMUTTER TENSILOCK	CONTRATUERCA TENSILOCK
3	M1-70049	TUBO FLESSIBILE		HYDRAULIC PIPE	TUBE FLEXIBLE	SCHLAUCH	TUBO
4	01.2371.00	STAFFA		SUPPORT	SUPPORT	BUEGEL	SOPORTE
5	PO-000170	RACCORDO		CONNECTOR	RACCORD	ANSCHLUSSSTUTZEN	RACOR
6	PO-000137	MULTICOUPLER		MULTICOUPLER	MULTICOUPLER	MULTICOUPLER	MULTICOUPLER
7	PO-000122	RACCORDO	ONLY H.AUGER	CONNECTOR	RACCORD	ANSCHLUSSSTUTZEN	RACOR
8	PO-000031	RONDELLA BONDED	ONLY H.AUGER	BONDED SEALS	RONDELLE BONDED	SCHEIBE	ARANDELLA
9	PO-000168	RACCORDO	ONLY H.AUGER	CONNECTOR	RACCORD	ANSCHLUSSSTUTZEN	RACOR
10	KM-000044	KIT MULTICOUPLER (SENZA COCLEE IDRO)	NO H.AUGER	KIT MULTICOUPLER (NO HYDR. AUGER)	MULTICOUPLER (NO VIS D'ALIMENTATION HYDR.)	MULTICOUPLER NO HYDR. SCHNECKE)	MULTICOUPLER (NO SINFIN HIDR.)
10	KM-000047	KIT MULTICOUPLER (CON COCLEE IDRO)	WITH H. AUGER	KIT MULTICOUPLER (WITH HYDR. AUGER)	MULTICOUPLER (AVEC VIS D'ALIMENTATION HYDR.)	MULTICOUPLER (MIT HYDR. SCHNECKE)	MULTICOUPLER (CON SINFIN HIDR.)



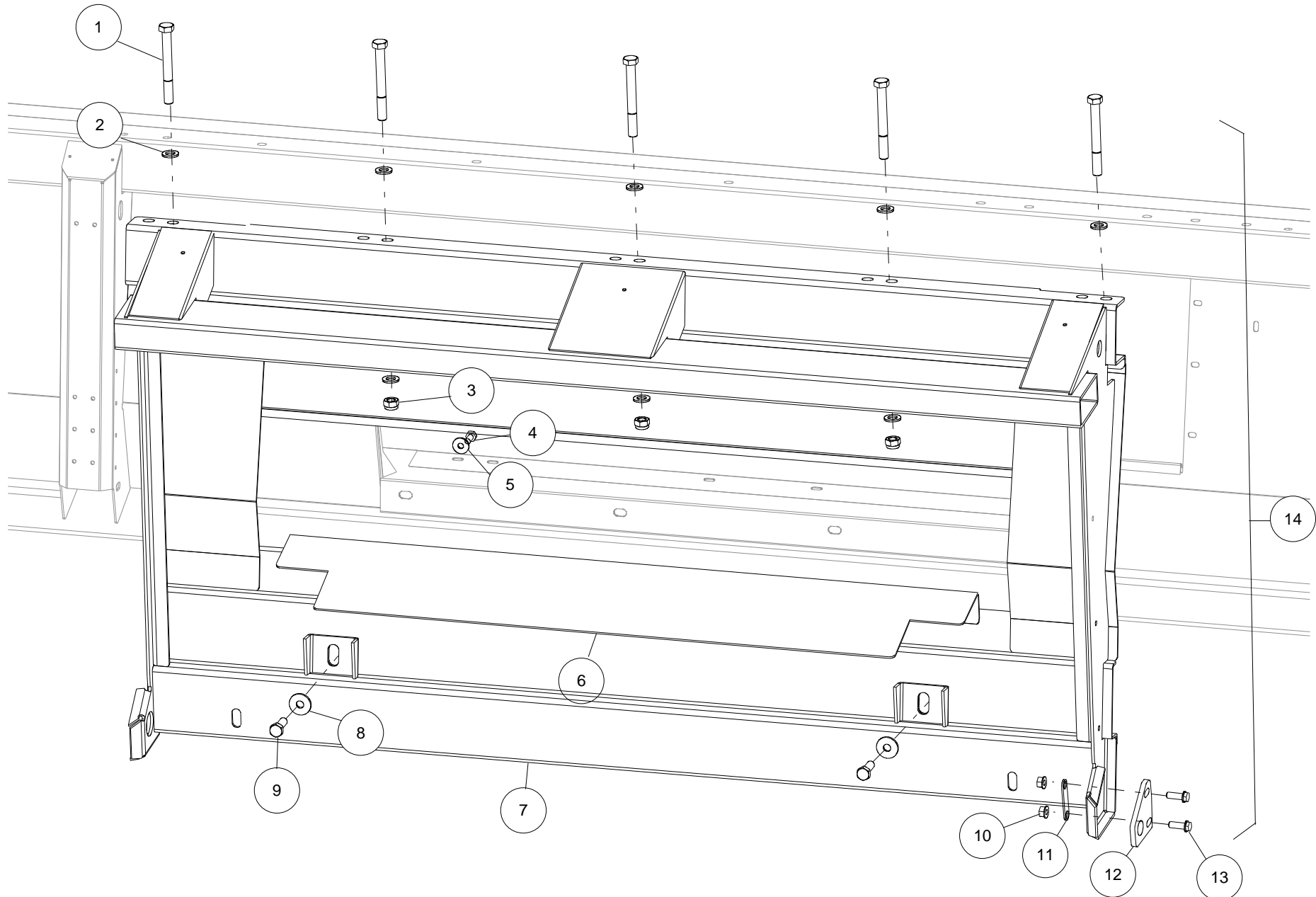
Pos	Code	Descrizione	Note	Description	Description	Beschreibung	Descripción
1	M1-70046	TUBO FLESSIBILE		HYDRAULIC PIPE	TUBE FLEXIBLE	SCHLAUCH	TUBO
2	M1-90094	SUPPORTO		SUPPORT	SUPPORT	ABSTUZUNG	SOPORTE
3	PMF-000132	VITE TE	M10X30	HEXAGONAL SCREW	VIS SIX PANS	SECHSKANTSCHRAUBE	TORNILLO
4	PMF-000105	RONDELLA	10.5X20X2	WASHER	RONDELLE	SCHEIBE	ARANDELLA
5	PMF-000012	DADO TENSILOCK	M10	SECURING NUT TENSILOCK	ECROU TENSILOCK	SICHERUNGSMUTTER TENSILOCK	CONTRATUERCA TENSILOCK
6	PO-000190	RACCORDO	ONLY H. AUGER	CONNECTOR	RACCORD	ANSCHLUSSSTUTZEN	RACOR
7	05.0024.00	MULTICOUPLER		MULTICOUPLER	MULTICOUPLEUR	MULTICOUPLER	MULTICOUPLER
8	PO-000189	RACCORDO		CONNECTOR	RACCORD	ANSCHLUSSSTUTZEN	RACOR
9	KM-000039	KIT MULTICOUPLER (SENZA COCLEE IDRO)	WITH H. AUGER	KIT MULTICOUPLER (NO HYDR. AUGER)	MULTICOUPLEUR (NO VIS D'ALIMENTATION HYDR.)	MULTICOUPLER NO HYDR. SCHNECKE)	MULTICOUPLER (NO SINFIN HIDR.)
9	KM-000040	KIT MULTICOUPLER (CON COCLEE IDRO)	NO H. AUGER	KIT MULTICOUPLER (WITH HYDR. AUGER)	MULTICOUPLEUR (AVEC VIS D'ALIMENTATION HYDR.)	MULTICOUPLER (MIT HYDR. SCHNECKE)	MULTICOUPLER (CON SINFIN HIDR.)



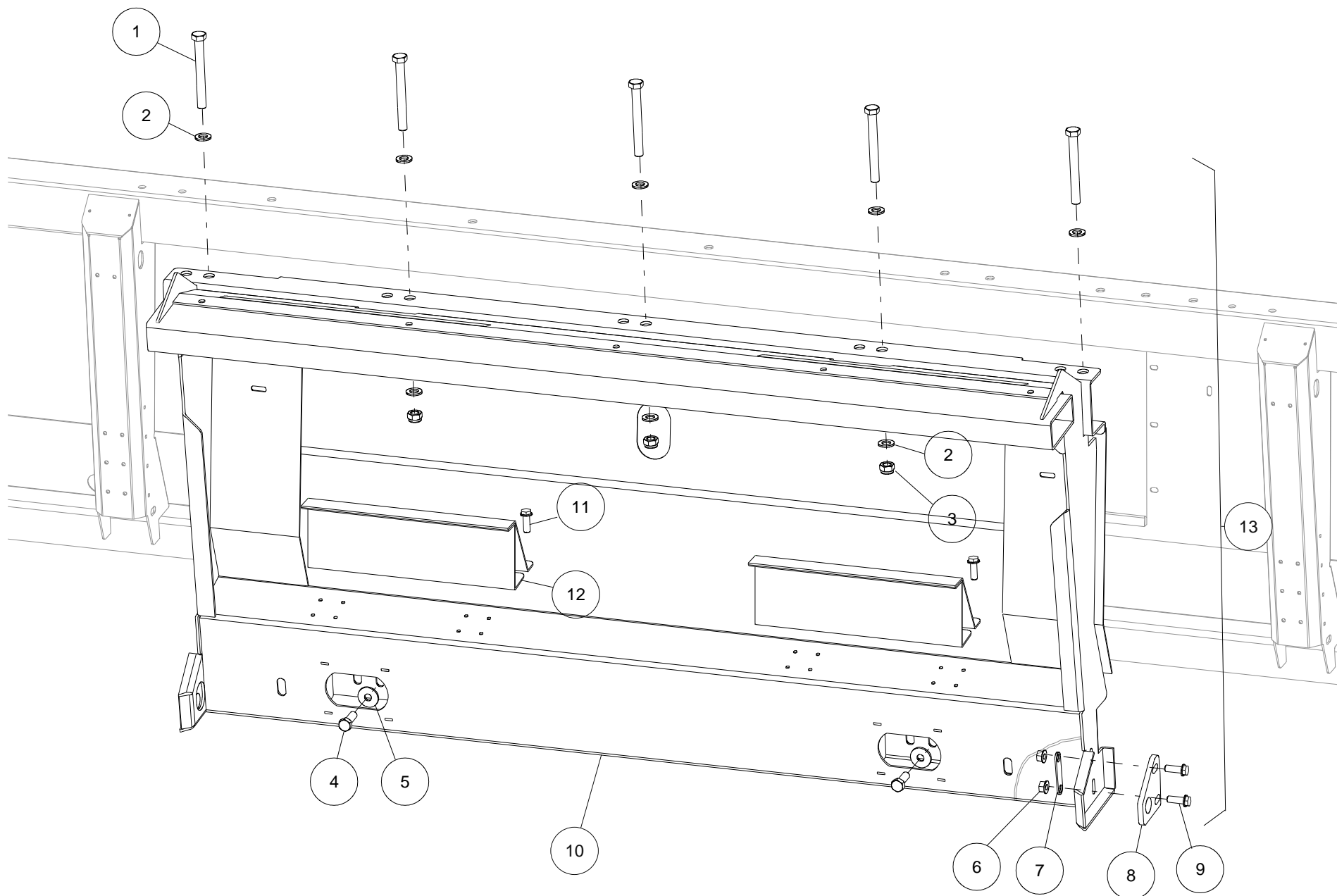
Pos	Code	Descrizione	Note	Description	Description	Beschreibung	Descripcìon
1	PMF-000034	VITE TENSILOCK	M8X20	SECURING SCREW TENSILOCK	VIS TENSILOCK	SCHRAUBE TENSILOCK	TORNILLO TENSILOCK
2	PMF-000074	RONDELLA	8.4X24X2	WASHER	RONDELLE	SCHEIBE	ARANDELLA
3	PMF-000016	DADO TENSILOCK	M8	SECURING NUT TENSILOCK	ECROU TENSILOCK	SICHERUNGSMUTTER TENSILOCK	CONTRATUERCA TENSILOCK
4	M1-90093	STAFFA		BRACKET	SUPPORT	BUEGEL	SOPORTE
5	PMF-000506	VITE TCEI	M6X40	SOCKET HEAD SCREW	VIS CYLINDRIQUE	ZYLINDERSCHRAUBE	TORNILLO
6	PE-000046	PRESA		ELECTRICAL OUTLET	PRISE ELECTRIQUE	STECKDOSE	TOMA ELECTRICA
7	PE-000061	GUARNIZIONE		SEAL	ETOUPAGE	DICHTUNG	JUNTA
8	M1-90096	STAFFA		BRACKET	SUPPORT	BUEGEL	SOPORTE
9	PMF-000020	RONDELLA	6.4X18X1.6	WASHER	RONDELLE	SCHEIBE	ARANDELLA
10	PMF-000101	DADO AUTOBLOCCANTE	M6	SECURING NUT	ECROU INDESSERRAB	SICHERUNGSMUTTER	CONTRATUERCA
11	M1-70062	TUBO FLESSIBILE	ONLY WITH H. AUGER	HYDRAULIC PIPE	TUBE FLEXIBLE	SCHLAUCH	TUBO
12	PO-000119	TAPPO		COVER	COUVERCLE	DECKEL	COPERTURA
13	PO-000212	MULTICOUPLER		MULTICOUPLER	MULTICOUPLER	MULTICOUPLER	MULTICOUPLER
14	PO-000031	RONDELLA BONDED		BONDED SEALS	RONDELLE BONDED	SCHEIBE	ARANDELLA
15	PO-000131	RACCORDO		CONNECTOR	RACCORD	ANSCHLUSSSTUTZEN	RACOR
16	KM-000052	KIT MULTICOUPLER (CON COCLEE IDRO)	NO H.AUGER	KIT MULTICOUPLER (WITH HYDR. AUGER)	MULTICOUPLER (AVEC VIS D'ALIMENTATION HYDR.)	MULTICOUPLER (MIT HYDR. SCHNECKE)	MULTICOUPLER (CON SINFIN HIDR.)
16	KM-000054	KIT MULTICOUPLER (SENZA COCLEE IDRO)	WITH H. AUGER	KIT MULTICOUPLER (NO HYDR. AUGER)	MULTICOUPLER (NO VIS D'ALIMENTATION HYDR.)	MULTICOUPLER NO HYDR. SCHNECKE)	MULTICOUPLER (NO SINFIN HIDR.)



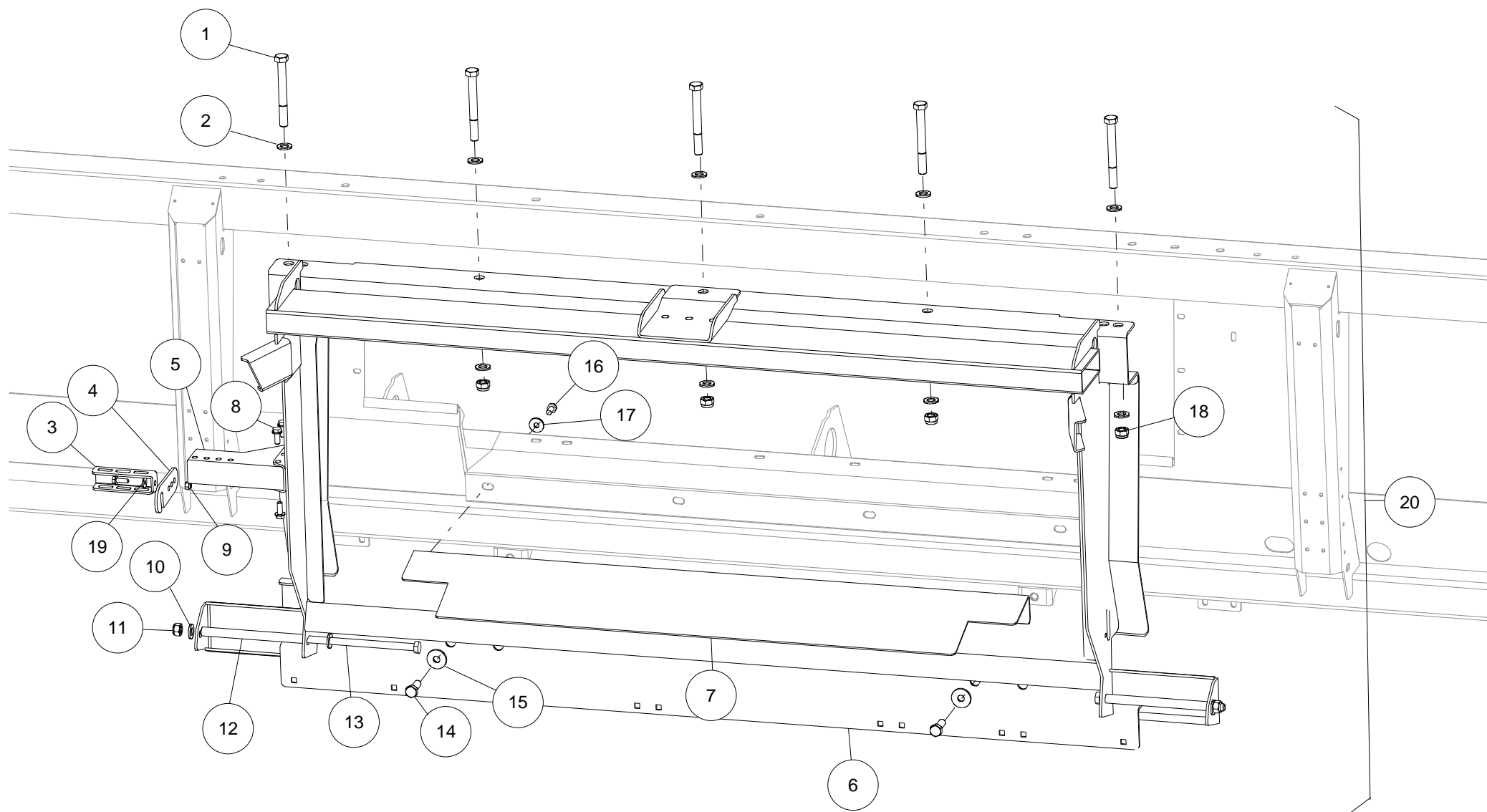
Pos	Code	Descrizione	Note	Description	Description	Beschreibung	Descripcìon
1	PMF-000196	VITE TE	M16X140	HEXAGONAL SCREW	VIS SIX PANS	SECHSKANTSCHRAUBE	TORNILLO
2	PMF-000437	RONDELLA	17X30X3	WASHER	RONDELLE	SCHEIBE	ARANDELLA
3	PMF-000052	DADO AUTOBLOCCANTE	M16	SECURING NUT	ECROU INDESSERRAB	SICHERUNGSMUTTER	CONTRATUERCA
4	PMF-000091	VITE TE	M14X40	HEXAGONAL SCREW	VIS SIX PANS	SECHSKANTSCHRAUBE	TORNILLO
5	02.4520.00	RONDELLA	14X40X4	WASHER	RONDELLE	SCHEIBE	ARANDELLA
6	PMF-000060	DADO TENSILOCK	M12	SECURING NUT TENSILOCK	ECROU TENSILOCK	SICHERUNGSMUTTER TENSILOCK	CONTRATUERCA TENSILOCK
7	01.3078.00	BLOCCAGGIO		LOCKING	BLOCAGE	VERSCHLUSS	TAPA
8	01.2362.00	PIASTRA		PLATE	PLAQUE	PLATTE	PLACA
9	PMF-000252	VITE TENSILOCK	M12X35	SECURING SCREW TENSILOCK	VIS TENSILOCK	SCHRAUBE TENSILOCK	TORNILLO TENSILOCK
10	07.0002.00	PIASTRA D'ATTACCO COMPLETA		COMPLETE MOUNTING PLATE	PLAQUE COMPLETE	EINHAENGESCHILD KOMPLETT	PLACA DE MONTAJE COMPLETA
11	01.3125.00	PIASTRA D'ATTACCO		MOUNTING PLATE	PLAQUE	EINHAENGESCHILD	PLACA DE MONTAJE



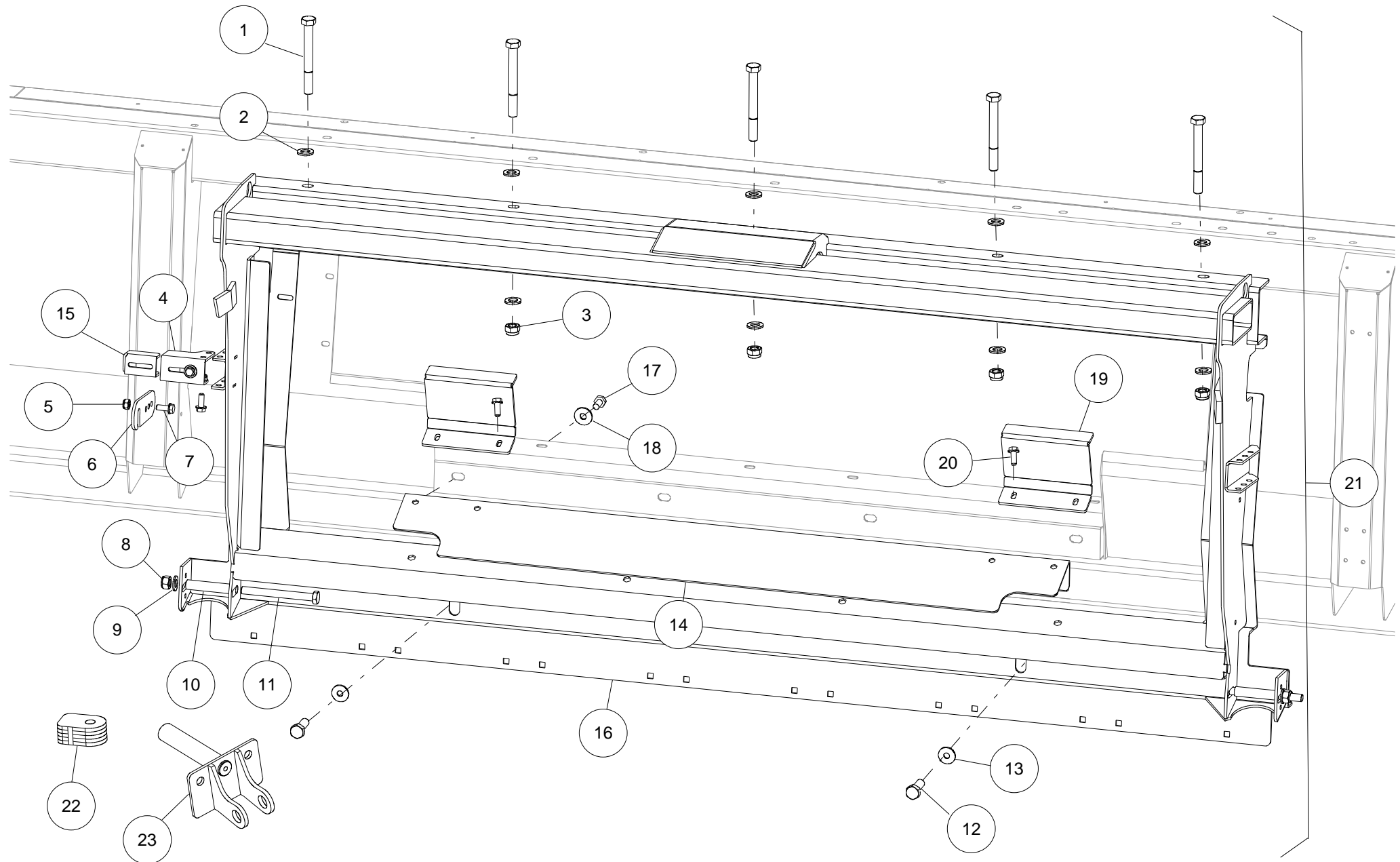
Pos	Code	Descrizione	Note	Description	Description	Beschreibung	Descripcìon
1	PMF-000196	VITE TE	M16X140	HEXAGONAL SCREW	VIS SIX PANS	SECHSKANTSCHRAUBE	TORNILLO
2	PMF-000437	RONDELLA	17X30X3	WASHER	RONDELLE	SCHEIBE	ARANDELLA
3	PMF-000052	DADO AUTOBLOCCANTE	M16	SECURING NUT	ECROU INDESSERRAB	SICHERUNGSMUTTER	CONTRATUERCA
4	PMF-000134	VITE TE	M10X20	HEXAGONAL SCREW	VIS SIX PANS	SECHSKANTSCHRAUBE	TORNILLO
5	PMF-000075	RONDELLA	10X30X2.5	WASHER	RONDELLE	SCHEIBE	ARANDELLA
6	01.3096.00	ONDA		PLATE	PLAQUE	PLATTE	PLACA
7	01.3097.00	PIASTRA D'ATTACCO		MOUNTING PLATE	PLAQUE	EINHAENGESCHILD	PLACA DE MONTAJE
8	02.4520.00	RONDELLA	14X40X4	WASHER	RONDELLE	SCHEIBE	ARANDELLA
9	PMF-000091	VITE TE	M14X40	HEXAGONAL SCREW	VIS SIX PANS	SECHSKANTSCHRAUBE	TORNILLO
10	PMF-000060	DADO TENSILOCK	M12	SECURING NUT TENSILOCK	ECROU TENSILOCK	SICHERUNGSMUTTER TENSILOCK	CONTRATUERCA TENSILOCK
11	01.3078.00	BLOCCAGGIO		LOCKING	BLOCAGE	VERSCHLUSS	TAPA
12	01.2362.00	PIASTRA		PLATE	PLAQUE	PLATTE	PLACA
13	PMF-000252	VITE TENSILOCK	M12X35	SECURING SCREW TENSILOCK	VIS TENSILOCK	SCHRAUBE TENSILOCK	TORNILLO TENSILOCK
14	07.0001.00	PIASTRA D'ATTACCO COMPLETA		COMPLETE MOUNTING PLATE	PLAQUE COMPLETE	EINHAENGESCHILD KOMPLETT	PLACA DE MONTAJE COMPLETA



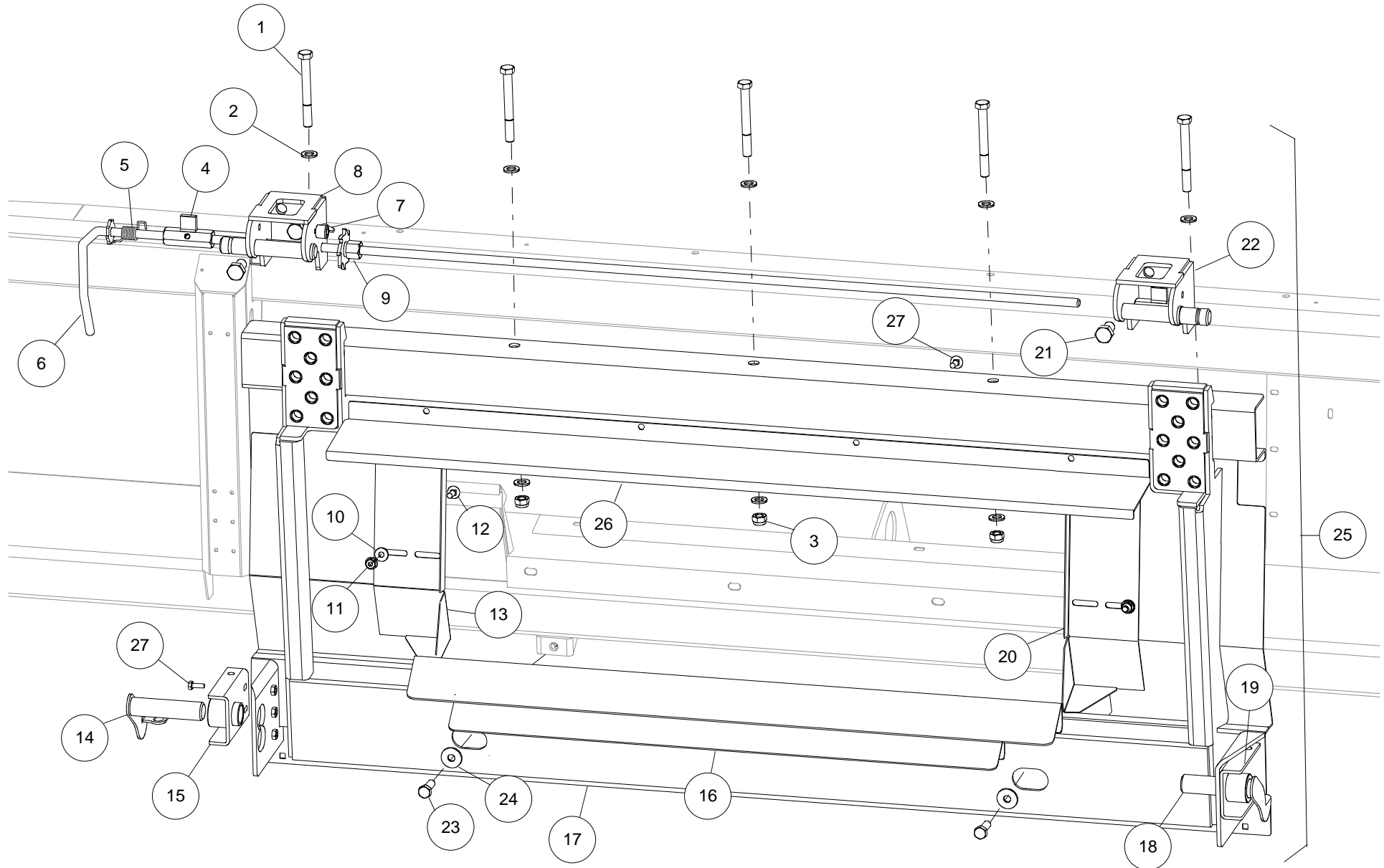
Pos	Code	Descrizione	Note	Description	Description	Beschreibung	Descripcìon
1	PMF-000196	VITE TE	M16X140	HEXAGONAL SCREW	VIS SIX PANS	SECHSKANTSCHRAUBE	TORNILLO
2	PMF-000437	RONDELLA	17X30X3	WASHER	RONDELLE	SCHEIBE	ARANDELLA
3	PMF-000052	DADO AUTOBLOCCANTE	M16	SECURING NUT	ECROU INDESSERRAB	SICHERUNGSMUTTER	CONTRATUERCA
4	PMF-000091	VITE TE	M14X40	HEXAGONAL SCREW	VIS SIX PANS	SECHSKANTSCHRAUBE	TORNILLO
5	02.4520.00	RONDELLA	14X40X4	WASHER	RONDELLE	SCHEIBE	ARANDELLA
6	02.2064.00	DADO TENSILOCK	M12	SECURING NUT TENSILOCK	ECROU TENSILOCK	SICHERUNGSMUTTER TENSILOCK	CONTRATUERCA TENSILOCK
7	01.3078.00	BLOCCAGGIO		LOCKING	BLOCAGE	VERSCHLUSS	TAPA
8	01.2362.00	PIASTRA		PLATE	PLAQUE	PLATTE	PLACA
9	02.2175.00	VITE TENSILOCK	M12X35	SECURING SCREW TENSILOCK	VIS TENSILOCK	SCHRAUBE TENSILOCK	TORNILLO TENSILOCK
10	01.3125.00	PIASTRA D'ATTACCO		MOUNTING PLATE	PLAQUE	EINHAENGESCHILD	PLACA DE MONTAJE
11	02.2026.00	VITE TENSILOCK	M8X20	SECURING SCREW TENSILOCK	VIS TENSILOCK	SCHRAUBE TENSILOCK	TORNILLO TENSILOCK
12	01.0961.00	RASAMENTO		STRIPPER KNIFE	LAME RACLEUSE	ABSTREIFMESSER	RASCADOR
13	07.0004.00	PIASTRA D'ATTACCO COMPLETA		COMPLETE MOUNTING PLATE	PLAQUE COMPLETE	EINHAENGESCHILD KOMPLETT	PLACA DE MONTAJE COMPLETA



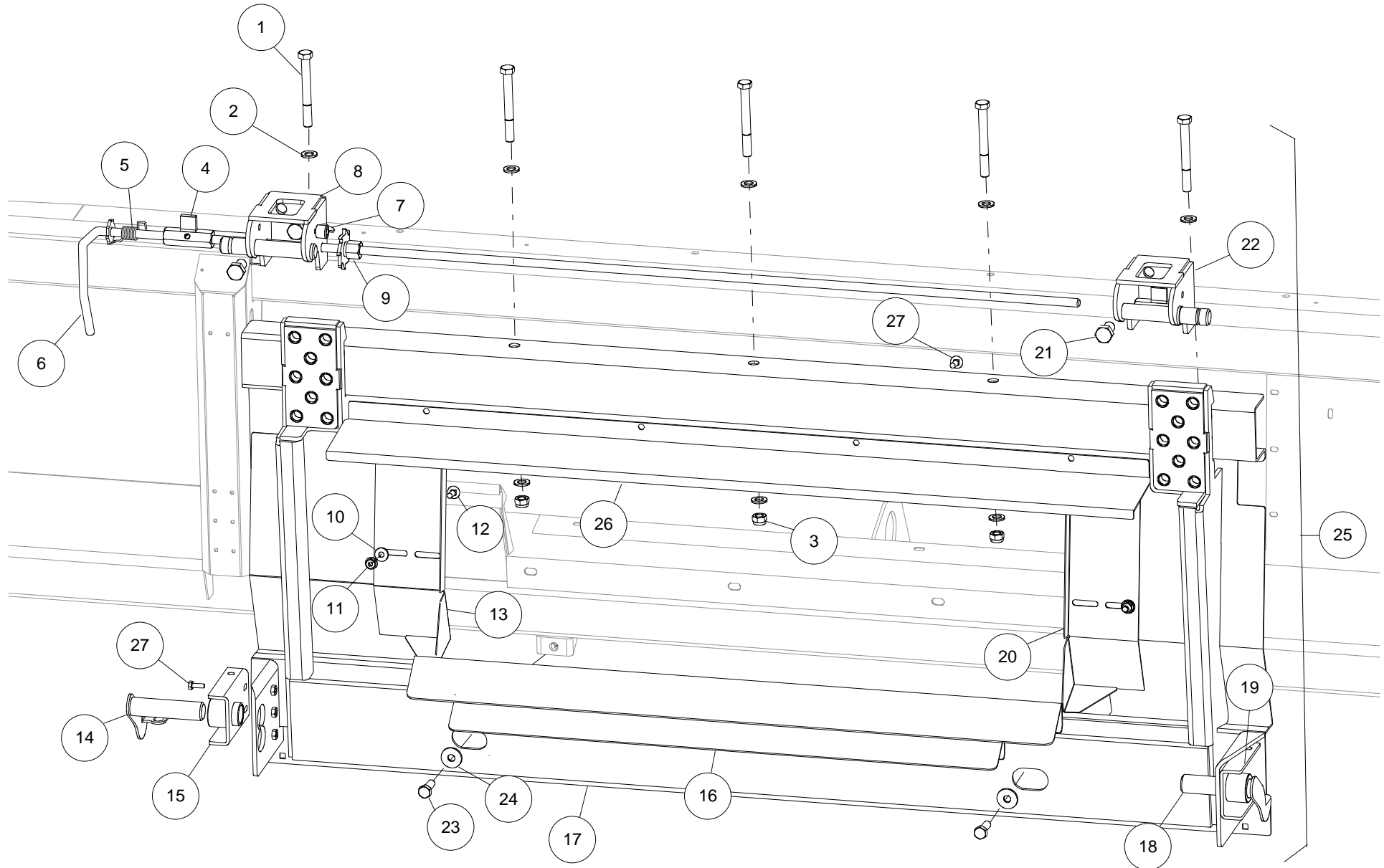
Pos	Code	Descrizione	Note	Description	Description	Beschreibung	Descripcìon
1	PMF-000196	VITE TE	M16X140	HEXAGONAL SCREW	VIS SIX PANS	SECHSKANTSCHRAUBE	TORNILLO
2	PMF-000437	RONDELLA	17X30X3	WASHER	RONDELLE	SCHEIBE	ARANDELLA
3	01.3079.00	SUPPORTO		SUPPORT	SUPPORT	ABSTUZUNG	SOPORTE
4	01.2374.00	GANCIO		HOOK	CROCHET	VERSCHLUSSHAKEN	GANCHO
5	01.3080.00	SUPPORTO		SUPPORT	SUPPORT	ABSTUZUNG	SOPORTE
6	01.3081.00	PIASTRA D'ATTACCO		MOUNTING PLATE	PLAQUE	EINHAENGESCHILD	PLACA DE MONTAJE
7	01.3082.00	ONDA		PLATE	PLAQUE	PLATTE	PLACA
8	PMF-000034	VITE TENSILOCK	M10X20	SECURING SCREW TENSILOCK	VIS TENSILOCK	SCHRAUBE TENSILOCK	TORNILLO TENSILOCK
9	PMF-000026	DADO AUTOBLOCCANTE	M8	SECURING NUT	ECROU INDESSERRAB	SICHERUNGSMUTTER	CONTRATUERCA
10	M1-10267	RONDELLA	14.5X30X4	WASHER	RONDELLE	SCHEIBE	ARANDELLA
11	PMF-000031	DADO AUTOBLOCCANTE	M14	SECURING NUT	ECROU INDESSERRAB	SICHERUNGSMUTTER	CONTRATUERCA
12	M1-50097	TUBO		TUBE	TUBE	SCHLAUCH	TUBO
13	PMF-000440	VITE TE	M14X240	HEXAGONAL SCREW	VIS SIX PANS	SECHSKANTSCHRAUBE	TORNILLO
14	PMF-000091	VITE TE	M14X40	HEXAGONAL SCREW	VIS SIX PANS	SECHSKANTSCHRAUBE	TORNILLO
15	02.4520.00	RONDELLA	14X40X4	WASHER	RONDELLE	SCHEIBE	ARANDELLA
16	PMF-000134	VITE TE	M10X20	HEXAGONAL SCREW	VIS SIX PANS	SECHSKANTSCHRAUBE	TORNILLO
17	PMF-000075	RONDELLA	10X30X2.5	WASHER	RONDELLE	SCHEIBE	ARANDELLA
18	PMF-000052	DADO AUTOBLOCCANTE	M16	SECURING NUT	ECROU INDESSERRAB	SICHERUNGSMUTTER	CONTRATUERCA
19	PMF-000075	RONDELLA		WASHER	RONDELLE	SCHEIBE	ARANDELLA
20	07.0012.00	PIASTRA D'ATTACCO COMPLETA		COMPLETE MOUNTING PLATE	PLAQUE COMPLETE	EINHAENGESCHILD KOMPLETT	PLACA DE MONTAJE COMPLETA



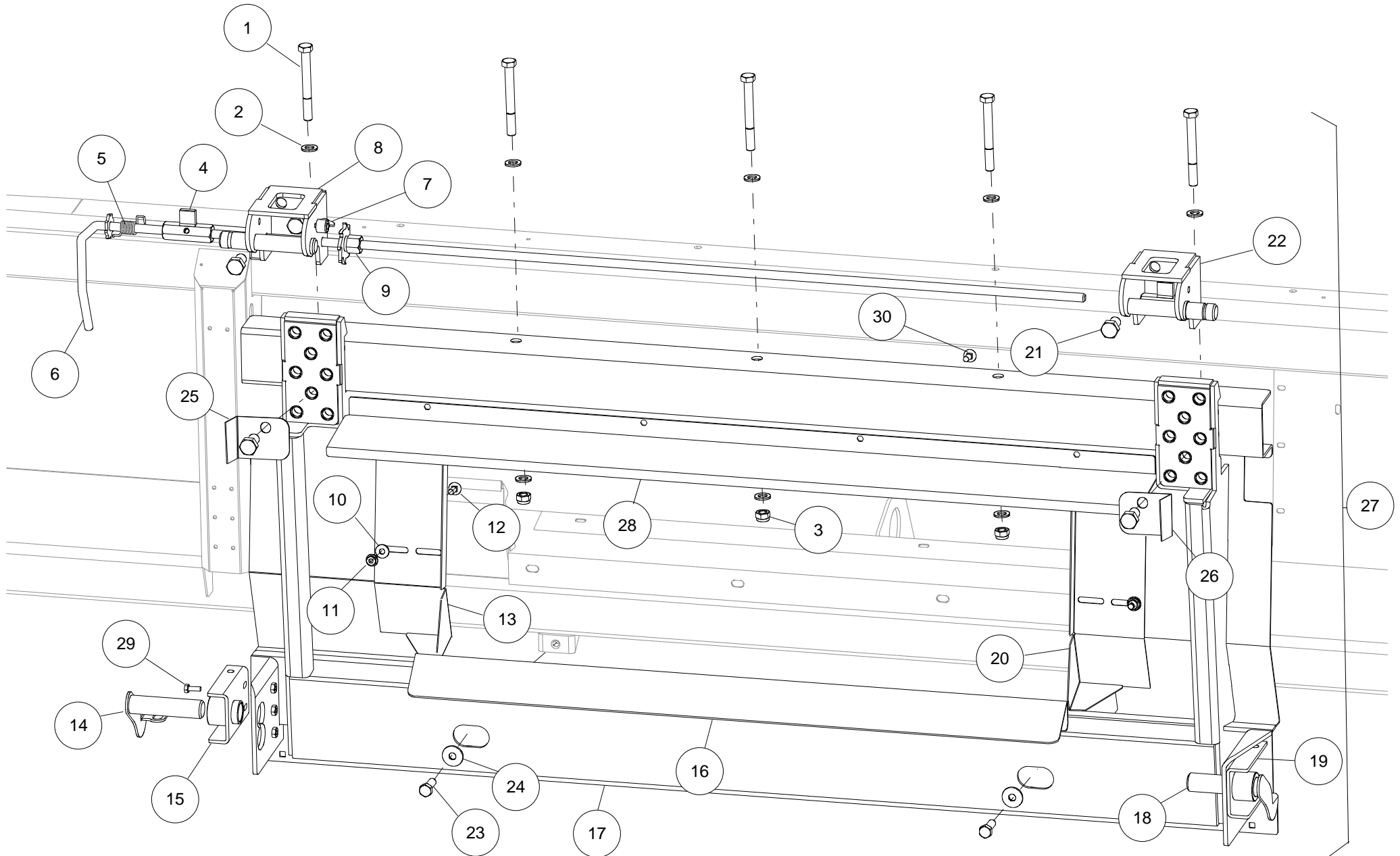
Pos	Code	Descrizione	Note	Description	Description	Beschreibung	Descripcìon
1	PMF-000196	VITE TE	M16X140	HEXAGONAL SCREW	VIS SIX PANS	SECHSKANTSCHRAUBE	TORNILLO
2	PMF-000437	RONDELLA	17X30X3	WASHER	RONDELLE	SCHEIBE	ARANDELLA
3	PMF-000052	DADO AUTOBLOCCANTE	M16	SECURING NUT	ECROU INDESSERRAB	SICHERUNGSMUTTER	CONTRATUERCA
4	01.2372.00	STAFFA		BRACKET	SUPPORT	BUEGEL	SOPORTE
5	PMF-000031	DADO AUTOBLOCCANTE	M14	SECURING NUT	ECROU INDESSERRAB	SICHERUNGSMUTTER	CONTRATUERCA
6	01.2374.00	GANCIO		HOOK	CROCHET	VERSCHLUSSHAKEN	GANCHO
7	PMF-000034	VITE TENSILOCK	M10X20	SECURING SCREW TENSILOCK	VIS TENSILOCK	SCHRAUBE TENSILOCK	TORNILLO TENSILOCK
8	PMF-000068	DADO AUTOBLOCCANTE	M10	SECURING NUT	ECROU INDESSERRAB	SICHERUNGSMUTTER	CONTRATUERCA
9	PMF-000256	RONDELLA		WASHER	RONDELLE	SCHEIBE	ARANDELLA
10	M1-50027	TUBO		TUBE	TUBE	SCHLAUCH	TUBO
11	PMF-000476	VITE TE	M14X140	HEXAGONAL SCREW	VIS SIX PANS	SECHSKANTSCHRAUBE	TORNILLO
12	PMF-000091	VITE TE	M14X40	HEXAGONAL SCREW	VIS SIX PANS	SECHSKANTSCHRAUBE	TORNILLO
14	01.2375.00	ONDA		PLATE	PLAQUE	PLATTE	PLACA
15	01.2373.00	CENTRAGGIO		CENTERING	CENTRAGE	ZENTRIER	CENTRAJE
16	01.3102.00	CARTER SINISTRO		LEFT CARTER	CARTER GAUCHE	CARTER LINKS	CARTER IZQUIERDO
17	PMF-000134	VITE TE	M10X20	HEXAGONAL SCREW	VIS SIX PANS	SECHSKANTSCHRAUBE	TORNILLO
18	PMF-000075	RONDELLA	10X30X2.5	WASHER	RONDELLE	SCHEIBE	ARANDELLA
19	01.2376.00	STRETTOIA		PLATE	PLAQUE	PLATTE	PLACA
20	PMF-000034	VITE TENSILOCK	M8X20	SECURING SCREW TENSILOCK	VIS TENSILOCK	SCHRAUBE TENSILOCK	TORNILLO TENSILOCK
21	07.0010.00	PIASTRA D'ATTACCO COMPLETA		COMPLETE MOUNTING PLATE	PLAQUE COMPLETE	EINHAENGESCHILD KOMPLETT	PLACA DE MONTAJE COMPLETA
22	01.2142.00	SPESSORE		PLATE SPACER	TOLE	DISTANZBLECH	DISTANCIADOR
23	01.0322.00	SUPPORTO		SUPPORT	SUPPORT	ABSTUZUNG	SOPORTE



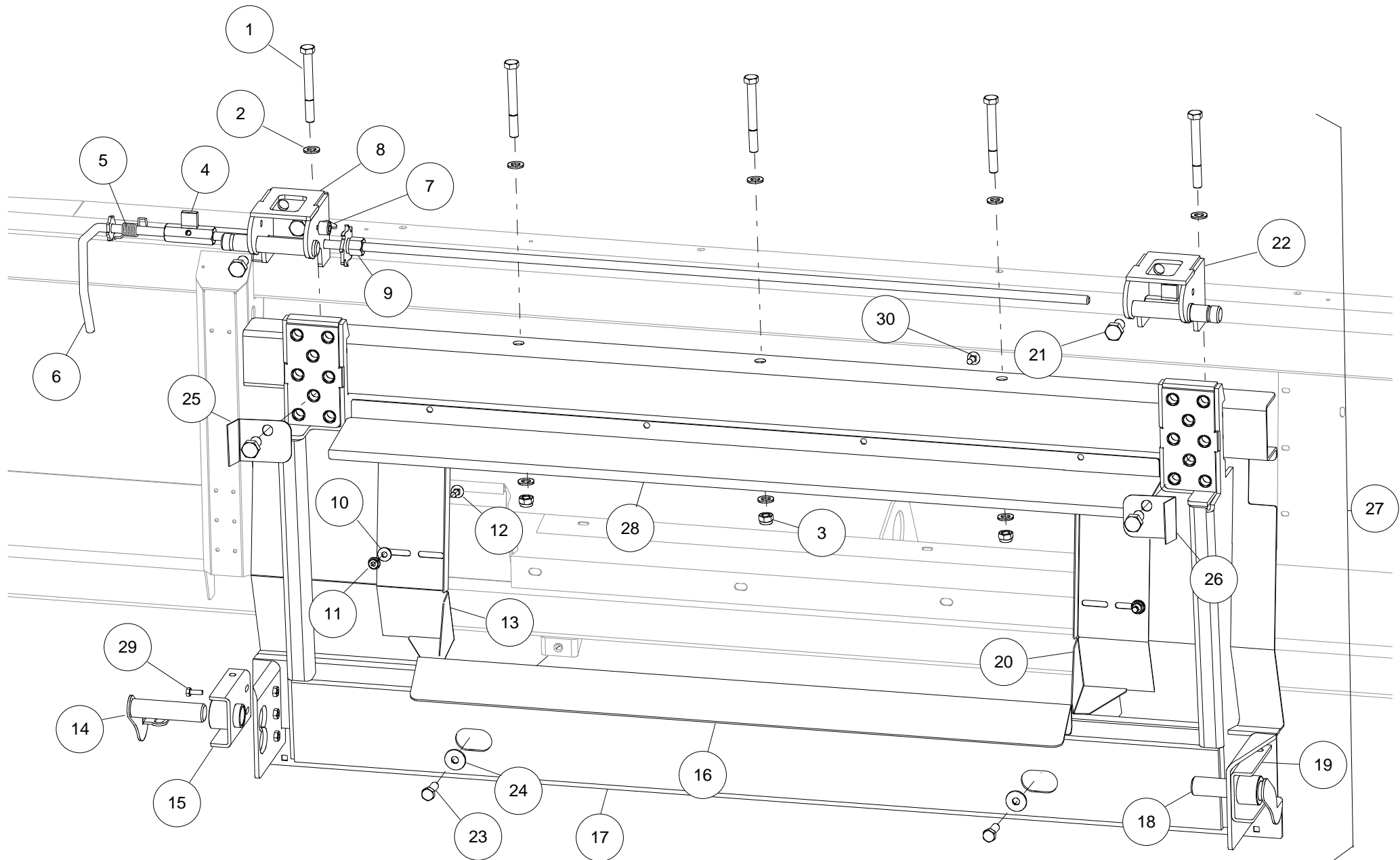
Pos	Code	Descrizione	Note	Description	Description	Beschreibung	Descripcìon
1	PMF-000196	VITE TE	M16X140	HEXAGONAL SCREW	VIS SIX PANS	SECHSKANTSCHRAUBE	TORNILLO
2	PMF-000437	RONDELLA	17X30X3	WASHER	RONDELLE	SCHEIBE	ARANDELLA
3	PMF-000052	DADO AUTOBLOCCANTE	M16	SECURING NUT	ECROU INDESSERRAB	SICHERUNGSMUTTER	CONTRATUERCA
4	M2-50024	GANCIO		HOOK	CROCHET	VERSCHLUSSHAKEN	GANCHO
5	M1-50163	MOLLA		COMPRESS SPRING	RESSORT	DRUCKFEDER	MUELLE
6	M2-50011	MANIGLIA		STRAP	MANILLE	HANDGRIFF	MANIJA
7	M1-50162	FERMO		BLOCK	BLOC	BLOCK	BLOQUE
8	01.3085.00	AGGANCIO		HOOK	CROCHET	VERSCHLUSSHAKEN	GANCHO
9	M2-50025	ROCCHETTO		TOOTH WHEEL	ROUE DENTEE	ZAHNRAD	ENGRANAJE
10	PMF-000075	RONDELLA	10X30X2.5	WASHER	RONDELLE	SCHEIBE	ARANDELLA
11	PMF-000012	DADO TENSILOCK	M10	SECURING NUT TENSILOCK	ECROU TENSILOCK	SICHERUNGSMUTTER TENSILOCK	CONTRATUERCA TENSILOCK
12	PMF-000341	VITE TBQS	M10X30	COACH SCREW	VIS A TETE BOMBEE	FLACHRUNDSCHRAUBE	TORNILLO
13	01.3084.00	STRETTOIA		PLATE	PLAQUE	PLATTE	PLACA
14	M2-50010	PERNO DESTRO		RIGHT PIVOT	PIVOT DROITE	ZAPFEN RECHTS	PIVOTE DERECHI
15	M2-50008	PIASTRA DESTRA		RIGHT PLATE	PLAQUE DROITE	PLATTE RECHTS	PLACA DERECHA
16	01.2287.00	ONDA		PLATE	PLAQUE	PLATTE	PLACA
17	01.3083.00	PIASTRA D'ATTACCO		MOUNTING PLATE	PLAQUE	EINHAENGESCHILD	PLACA DE MONTAJE
18	M2-50007	PIASTRA SINISTRA		LEFT PLATE	PLAQUE GAUCHE	PLATTE LINKS	PLACA IZQUIERDA
19	M2-50009	PERNO SINISTRO		LEFT PIVOT	PIVOT GAUCHE	ZAPFEN LINKS	PIVOTE IZQUIERDO
20	01.3086.00	STRETTOIA		PLATE	PLAQUE	PLATTE	PLACA
21	PMF-000319	VITE TE	M10X35	HEXAGONAL SCREW	VIS SIX PANS	SECHSKANTSCHRAUBE	TORNILLO
22	01.3087.00	AGGANCIO		HOOK	CROCHET	VERSCHLUSSHAKEN	GANCHO
23	PMF-000091	VITE TE	M14X40	HEXAGONAL SCREW	VIS SIX PANS	SECHSKANTSCHRAUBE	TORNILLO
24	02.4520.00	RONDELLA	14X40X4	WASHER	RONDELLE	SCHEIBE	ARANDELLA
25	07.0041.01	PIASTRA D'ATTACCO COMPLETA		COMPLETE MOUNTING PLATE	PLAQUE COMPLETE	EINHAENGESCHILD KOMPLETT	PLACA DE MONTAJE COMPLETA



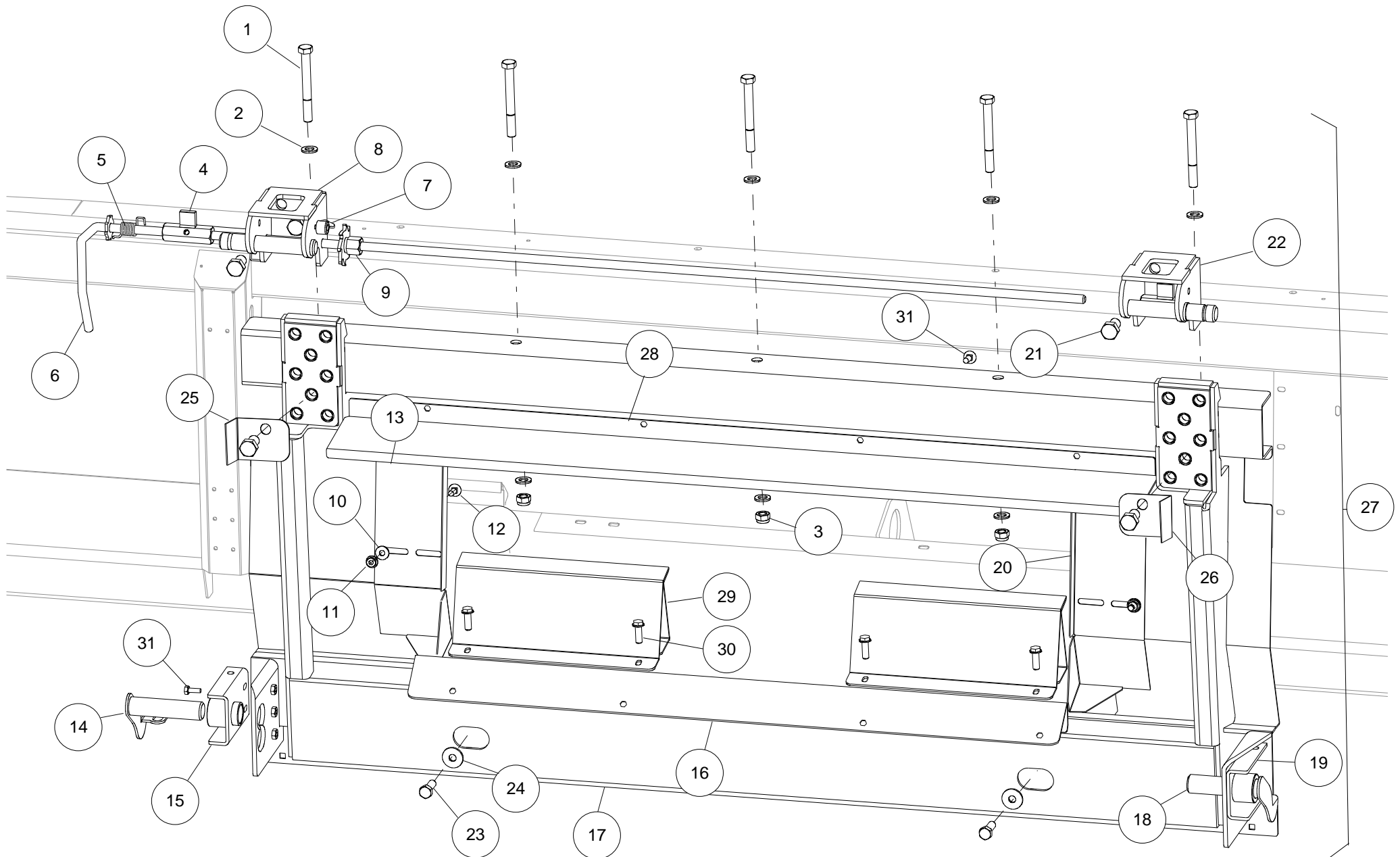
Pos	Code	Descrizione	Note	Description	Description	Beschreibung	Descripcìon
26	01.3099.00	CHIUSURA		CLOSURE	CLÔTURE	SCHLIESSEN	CIERRE
27	PMF-000186	VITE TE	M10X25	HEXAGONAL SCREW	VIS SIX PANS	SECHSKANTSCHRAUBE	TORNILLO



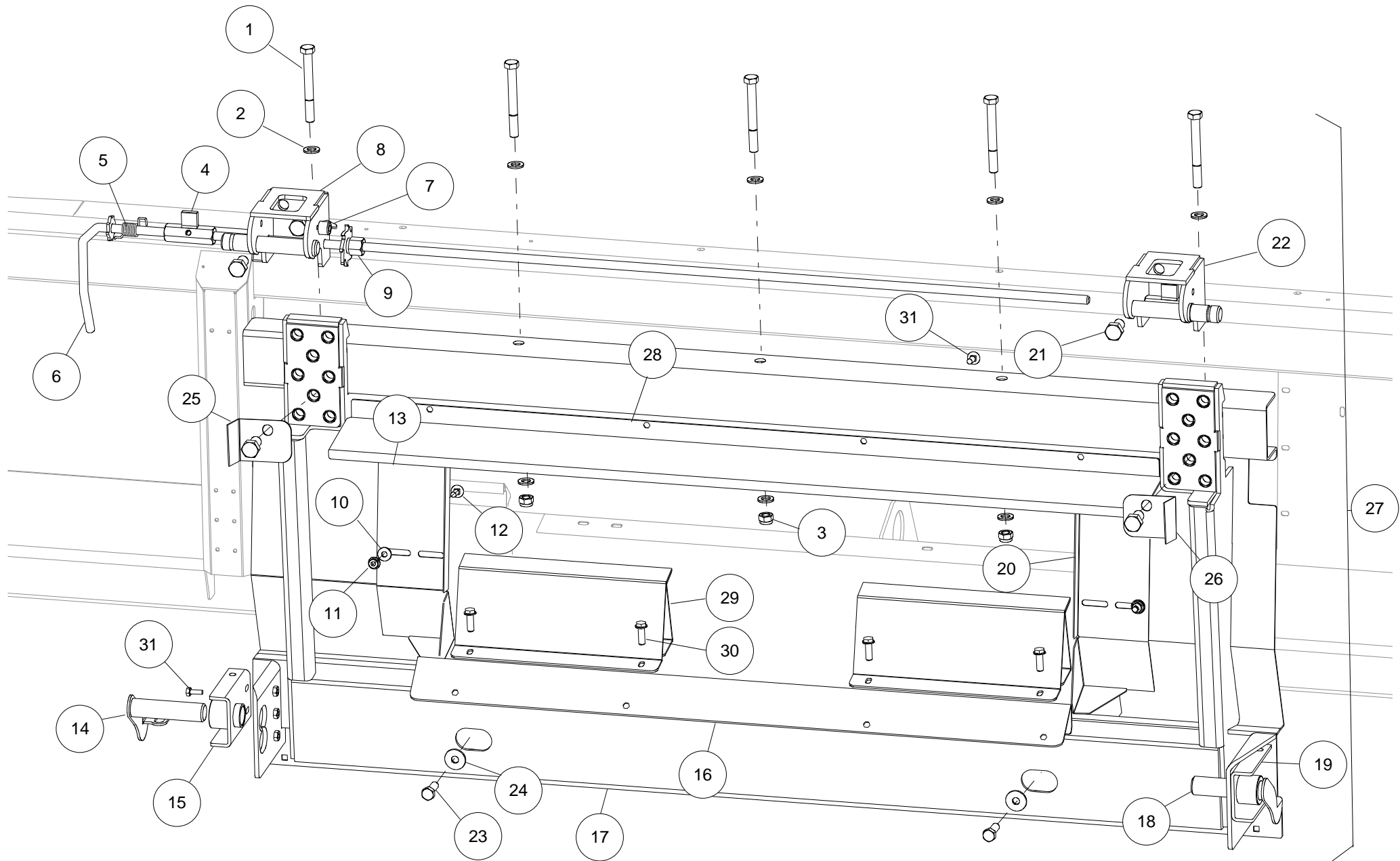
Pos	Code	Descrizione	Note	Description	Description	Beschreibung	Descripcìon
1	PMF-000196	VITE TE	M16X140	HEXAGONAL SCREW	VIS SIX PANS	SECHSKANTSCHRAUBE	TORNILLO
2	PMF-000437	RONDELLA	17X30X3	WASHER	RONDELLE	SCHEIBE	ARANDELLA
3	PMF-000052	DADO AUTOBLOCCANTE	M16	SECURING NUT	ECROU INDESSERRAB	SICHERUNGSMUTTER	CONTRATUERCA
4	M2-50024	GANCIO		HOOK	CROCHET	VERSCHLUSSHAKEN	GANCHO
5	M1-50163	MOLLA		COMPRESS SPRING	RESSORT	DRUCKFEDER	MUELLE
6	M2-50011	MANIGLIA		STRAP	MANILLE	HANDGRIFF	MANIJA
7	M1-50162	FERMO		BLOCK	BLOC	BLOCK	BLOQUE
8	01.3085.00	AGGANCIO		HOOK	CROCHET	VERSCHLUSSHAKEN	GANCHO
9	M2-50025	ROCCHETTO		TOOTH WHEEL	ROUE DENTEE	ZAHNRAD	ENGRANAJE
10	PMF-000075	RONDELLA	10X30X2.5	WASHER	RONDELLE	SCHEIBE	ARANDELLA
11	PMF-000012	DADO TENSILOCK	M10	SECURING NUT TENSILOCK	ECROU TENSILOCK	SICHERUNGSMUTTER TENSILOCK	CONTRATUERCA TENSILOCK
12	PMF-000341	VITE TBQS	M10X30	COACH SCREW	VIS A TETE BOMBEE	FLACHRUNDSCHRAUBE	TORNILLO
13	01.3084.00	STRETTOIA		PLATE	PLAQUE	PLATTE	PLACA
14	M2-50010	PERNO DESTRO		RIGHT PIVOT	PIVOT DROITE	ZAPFEN RECHTS	PIVOTE DERECHI
15	M2-50008	PIASTRA DESTRA		RIGHT PLATE	PLAQUE DROITE	PLATTE RECHTS	PLACA DERECHA
16	01.3100.00	ONDA		PLATE	PLAQUE	PLATTE	PLACA
17	01.3083.00	PIASTRA D'ATTACCO		MOUNTING PLATE	PLAQUE	EINHAENGESCHILD	PLACA DE MONTAJE
18	M2-50007	PIASTRA SINISTRA		LEFT PLATE	PLAQUE GAUCHE	PLATTE LINKS	PLACA IZQUIERDA
19	M2-50009	PERNO SINISTRO		LEFT PIVOT	PIVOT GAUCHE	ZAPFEN LINKS	PIVOTE IZQUIERDO
20	01.3086.00	STRETTOIA		PLATE	PLAQUE	PLATTE	PLACA
21	PMF-000319	VITE TE	M10X35	HEXAGONAL SCREW	VIS SIX PANS	SECHSKANTSCHRAUBE	TORNILLO
22	01.3087.00	AGGANCIO		HOOK	CROCHET	VERSCHLUSSHAKEN	GANCHO
23	PMF-000091	VITE TE	M14X40	HEXAGONAL SCREW	VIS SIX PANS	SECHSKANTSCHRAUBE	TORNILLO
24	02.4520.00	RONDELLA	14X40X4	WASHER	RONDELLE	SCHEIBE	ARANDELLA
25	01.3089.00	CHIUSURA SINISTRA		LEFT CLOSURE	CLÔTURE GAUCHE	SCHLIESSEN LINKS	CIERRE IZQUIERDA



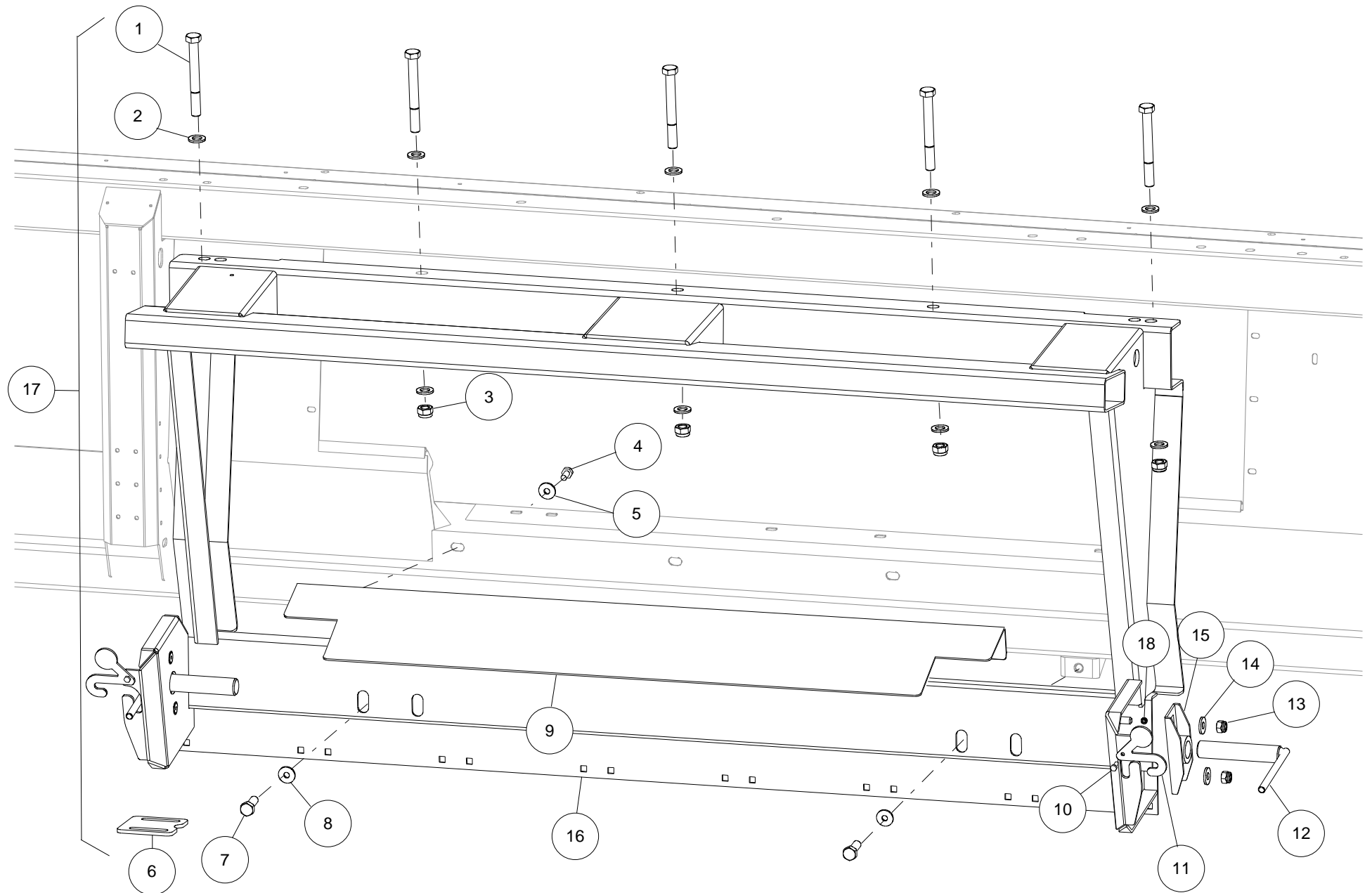
Pos	Code	Descrizione	Note	Description	Description	Beschreibung	Descripcìon
26	01.3090.00	CHIUSURA DESTRA		RIGHT CLOSURE	CLÔTURE DROITE	SCHLIESSEN RECHTS	CIERRE DERECHA
27	07.0040.01	PIASTRA D'ATTACCO COMPLETA		COMPLETE MOUNTING PLATE	PLAQUE COMPLETE	EINHAENGESCHILD KOMPLETT	PLACA DE MONTAJE COMPLETA
28	01.3099.00	CHIUSURA		CLOSURE	CLÔTURE	SCHLIESSEN	CIERRE
29	PMF-000186	VITE TE	M10X25	HEXAGONAL SCREW	VIS SIX PANS	SECHSKANTSCHRAUBE	TORNILLO
30	PMF-000216	VITE TBQS	M8X25	COACH SCREW	VIS A TETE BOMBEE	FLACHRUNDSCHRAUBE	TORNILLO



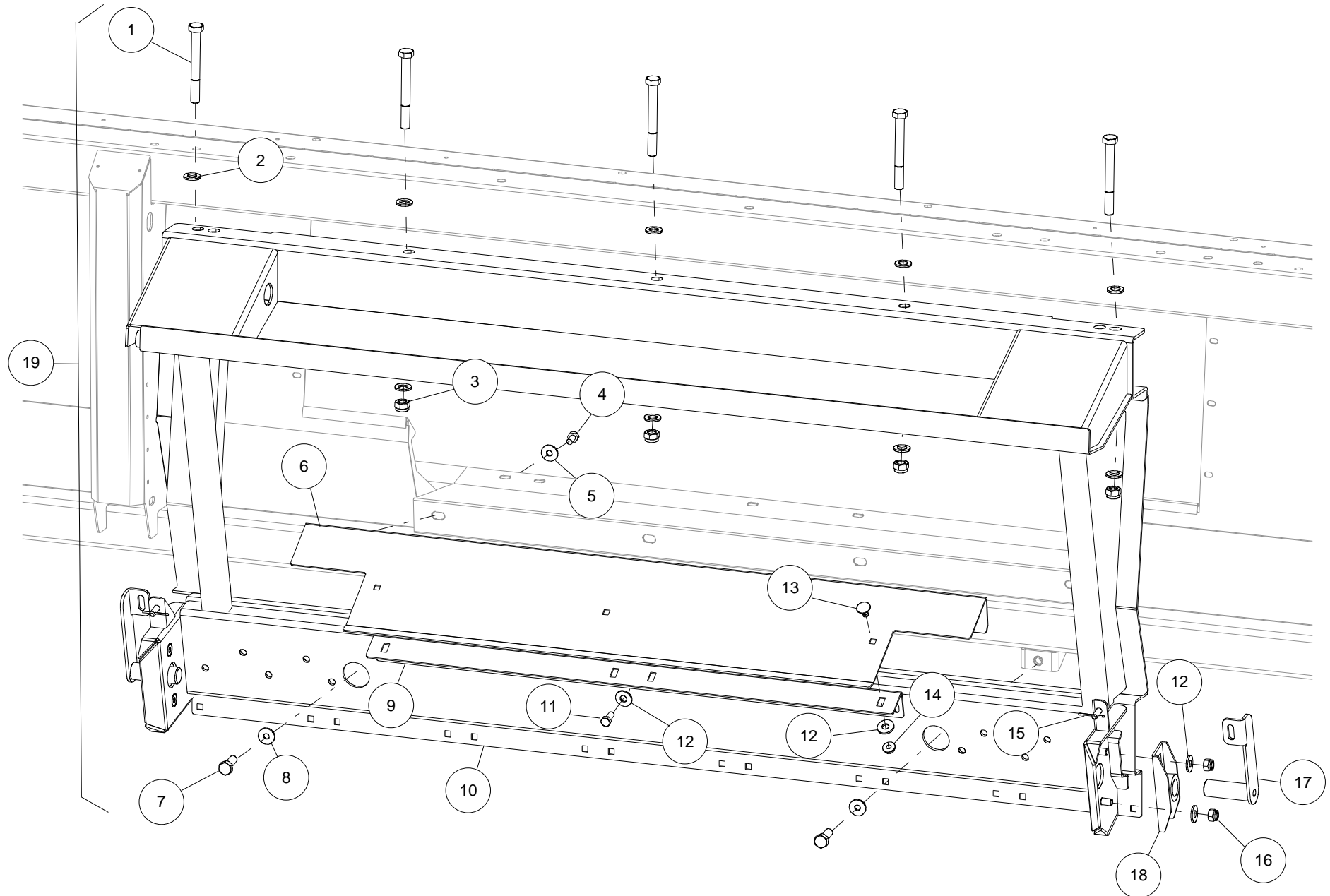
Pos	Code	Descrizione	Note	Description	Description	Beschreibung	Descripcìon
1	PMF-000196	VITE TE	M16X140	HEXAGONAL SCREW	VIS SIX PANS	SECHSKANTSCHRAUBE	TORNILLO
2	PMF-000437	RONDELLA	17X30X3	WASHER	RONDELLE	SCHEIBE	ARANDELLA
3	PMF-000052	DADO AUTOBLOCCANTE	M16	SECURING NUT	ECROU INDESSERRAB	SICHERUNGSMUTTER	CONTRATUERCA
4	M2-50024	GANCIO		HOOK	CROCHET	VERSCHLUSSHAKEN	GANCHO
5	M1-50163	MOLLA		COMPRESS SPRING	RESSORT	DRUCKFEDER	MUELLE
6	M2-50011	MANIGLIA		STRAP	MANILLE	HANDGRIFF	MANIJA
7	M1-50162	FERMO		BLOCK	BLOC	BLOCK	BLOQUE
8	01.3085.00	AGGANCIO		HOOK	CROCHET	VERSCHLUSSHAKEN	GANCHO
9	M2-50025	ROCCHETTO		TOOTH WHEEL	ROUE DENTEE	ZAHNRAD	ENGRANAJE
10	PMF-000075	RONDELLA	10X30X2.5	WASHER	RONDELLE	SCHEIBE	ARANDELLA
11	PMF-000012	DADO TENSILOCK	M10	SECURING NUT TENSILOCK	ECROU TENSILOCK	SICHERUNGSMUTTER TENSILOCK	CONTRATUERCA TENSILOCK
12	PMF-000341	VITE TBQS	M10X30	COACH SCREW	VIS A TETE BOMBEE	FLACHRUNDSCHRAUBE	TORNILLO
13	01.3084.00	STRETTOIA		PLATE	PLAQUE	PLATTE	PLACA
14	M2-50010	PERNO DESTRO		RIGHT PIVOT	PIVOT DROITE	ZAPFEN RECHTS	PIVOTE DERECHI
15	M2-50008	PIASTRA DESTRA		RIGHT PLATE	PLAQUE DROITE	PLATTE RECHTS	PLACA DERECHA
16	01.3135.00	ONDA		PLATE	PLAQUE	PLATTE	PLACA
17	01.3083.00	PIASTRA D'ATTACCO		MOUNTING PLATE	PLAQUE	EINHAENGESCHILD	PLACA DE MONTAJE
18	M2-50007	PIASTRA SINISTRA		LEFT PLATE	PLAQUE GAUCHE	PLATTE LINKS	PLACA IZQUIERDA
19	M2-50009	PERNO SINISTRO		LEFT PIVOT	PIVOT GAUCHE	ZAPFEN LINKS	PIVOTE IZQUIERDO
20	01.3086.00	STRETTOIA		PLATE	PLAQUE	PLATTE	PLACA
21	PMF-000319	VITE TE	M10X35	HEXAGONAL SCREW	VIS SIX PANS	SECHSKANTSCHRAUBE	TORNILLO
22	01.3087.00	AGGANCIO		HOOK	CROCHET	VERSCHLUSSHAKEN	GANCHO
23	PMF-000091	VITE TE	M14X40	HEXAGONAL SCREW	VIS SIX PANS	SECHSKANTSCHRAUBE	TORNILLO
24	02.4520.00	RONDELLA	14X40X4	WASHER	RONDELLE	SCHEIBE	ARANDELLA
25	01.3089.00	CHIUSURA SINISTRA		LEFT CLOSURE	CLÔTURE GAUCHE	SCHLIESSEN LINKS	CIERRE IZQUIERDA



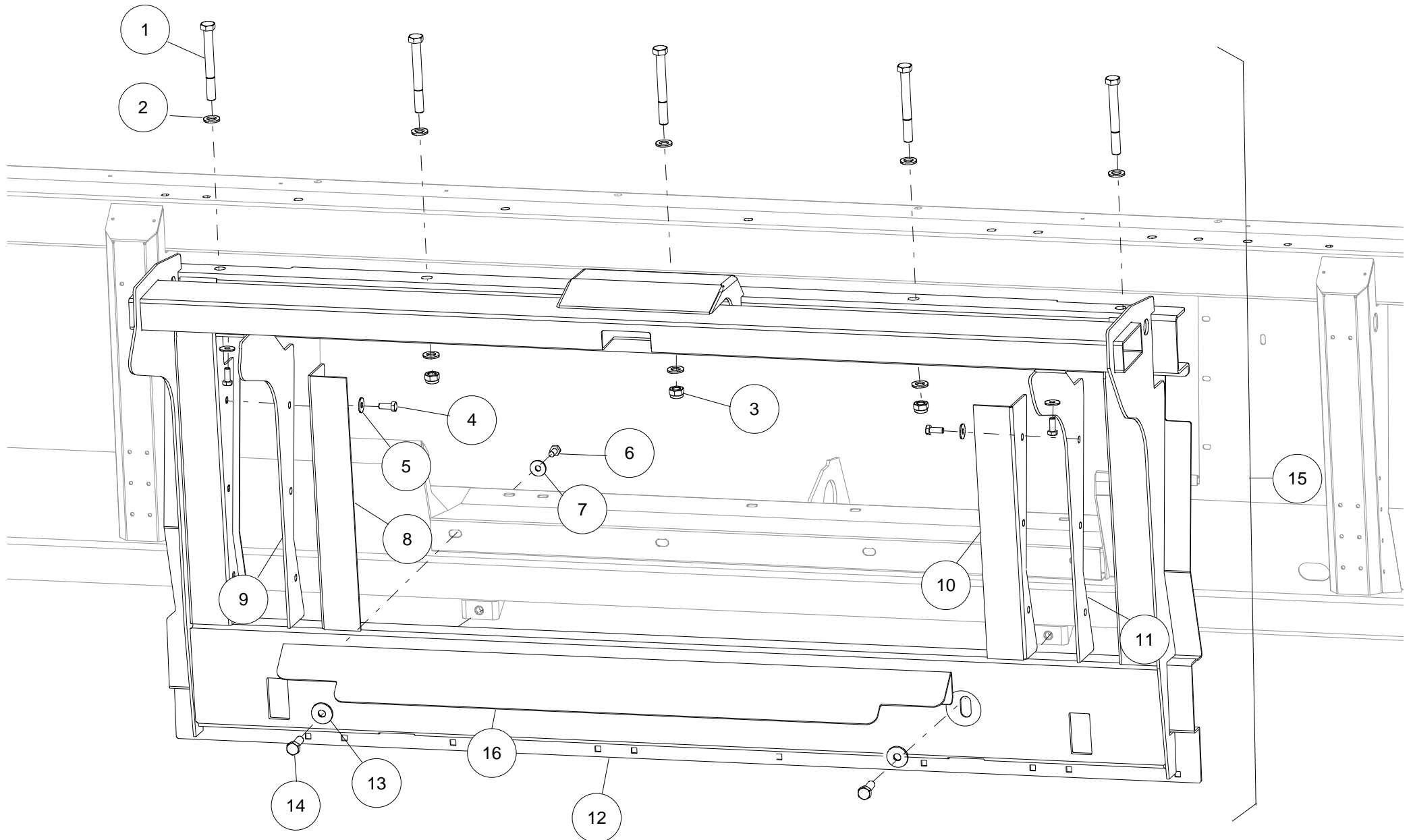
Pos	Code	Descrizione	Note	Description	Description	Beschreibung	Descripcìon
26	01.3090.00	CHIUSURA DESTRA		RIGHT CLOSURE	CLÔTURE DROITE	SCHLIESSEN RECHTS	CIERRE DERECHA
27	07.0042.01	PIASTRA D'ATTACCO COMPLETA		COMPLETE MOUNTING PLATE	PLAQUE COMPLETE	EINHAENGESCHILD KOMPLETT	PLACA DE MONTAJE COMPLETA
28	01.3099.00	CHIUSURA		CLOSURE	CLÔTURE	SCHLIESSEN	CIERRE
29	01.3136.00	RASAMENTO		STRIPPER KNIFE	LAME RACLEUSE	ABSTREIFMESSER	RASCADOR
30	PMF-000034	VITE TENSILOCK	M8X20	SECURING SCREW TENSILOCK	VIS TENSILOCK	SCHRAUBE TENSILOCK	TORNILLO TENSILOCK
31	PMF-000186	VITE TE	M10X25	HEXAGONAL SCREW	VIS SIX PANS	SECHSKANTSCHRAUBE	TORNILLO



Pos	Code	Descrizione	Note	Description	Description	Beschreibung	Descripció
1	PMF-000196	VITE TE	M16X140	HEXAGONAL SCREW	VIS SIX PANS	SECHSKANTSCHRAUBE	TORNILLO
2	PMF-000437	RONDELLA	17X30X3	WASHER	RONDELLE	SCHEIBE	ARANDELLA
3	PMF-000052	DADO AUTOBLOCCANTE	M16	SECURING NUT	ECROU INDESSERRAB	SICHERUNGSMUTTER	CONTRATUERCA
4	PMF-000134	VITE TE	M10X20	HEXAGONAL SCREW	VIS SIX PANS	SECHSKANTSCHRAUBE	TORNILLO
5	PMF-000075	RONDELLA	10X30X2.5	WASHER	RONDELLE	SCHEIBE	ARANDELLA
6	01.3145.00	BLOCCAGGIO		LOCKING	BLOCAGE	VERSCHLUSS	TAPA
7	PMF-000091	VITE TE	M14X40	HEXAGONAL SCREW	VIS SIX PANS	SECHSKANTSCHRAUBE	TORNILLO
8	02.4520.00	RONDELLA	14X40X4	WASHER	RONDELLE	SCHEIBE	ARANDELLA
9	01.3146.00	ONDA		PLATE	PLAQUE	PLATTE	PLACA
10	PMF-000014	VITE TE	M6X16	HEXAGONAL SCREW	VIS SIX PANS	SECHSKANTSCHRAUBE	TORNILLO
11	01.0759.00	FERMO		BLOCK	BLOC	BLOCK	BLOQUE
12	01.3147.00	MANIGLIA		STRAP	MANILLE	HANDGRIFF	MANIJA
13	PMF-000414	DADO AUTOBLOCCANTE	M12	SECURING NUT	ECROU INDESSERRAB	SICHERUNGSMUTTER	CONTRATUERCA
14	M1-80124	RONDELLA	12X30X3	WASHER	RONDELLE	SCHEIBE	ARANDELLA
15	01.3173.00	CENTRAGGIO		CENTERING	CENTRAGE	ZENTRIER	CENTRAJE
16	01.3148.00	PIASTRA D'ATTACCO		MOUNTING PLATE	PLAQUE	EINHAENGESCHILD	PLACA DE MONTAJE
17	07.0045.00	PIASTRA D'ATTACCO COMPLETA		COMPLETE MOUNTING PLATE	PLAQUE COMPLETE	EINHAENGESCHILD KOMPLETT	PLACA DE MONTAJE COMPLETA
18	PMF-000101	DADO AUTOBLOCCANTE	M6	SECURING NUT	ECROU INDESSERRAB	SICHERUNGSMUTTER	CONTRATUERCA

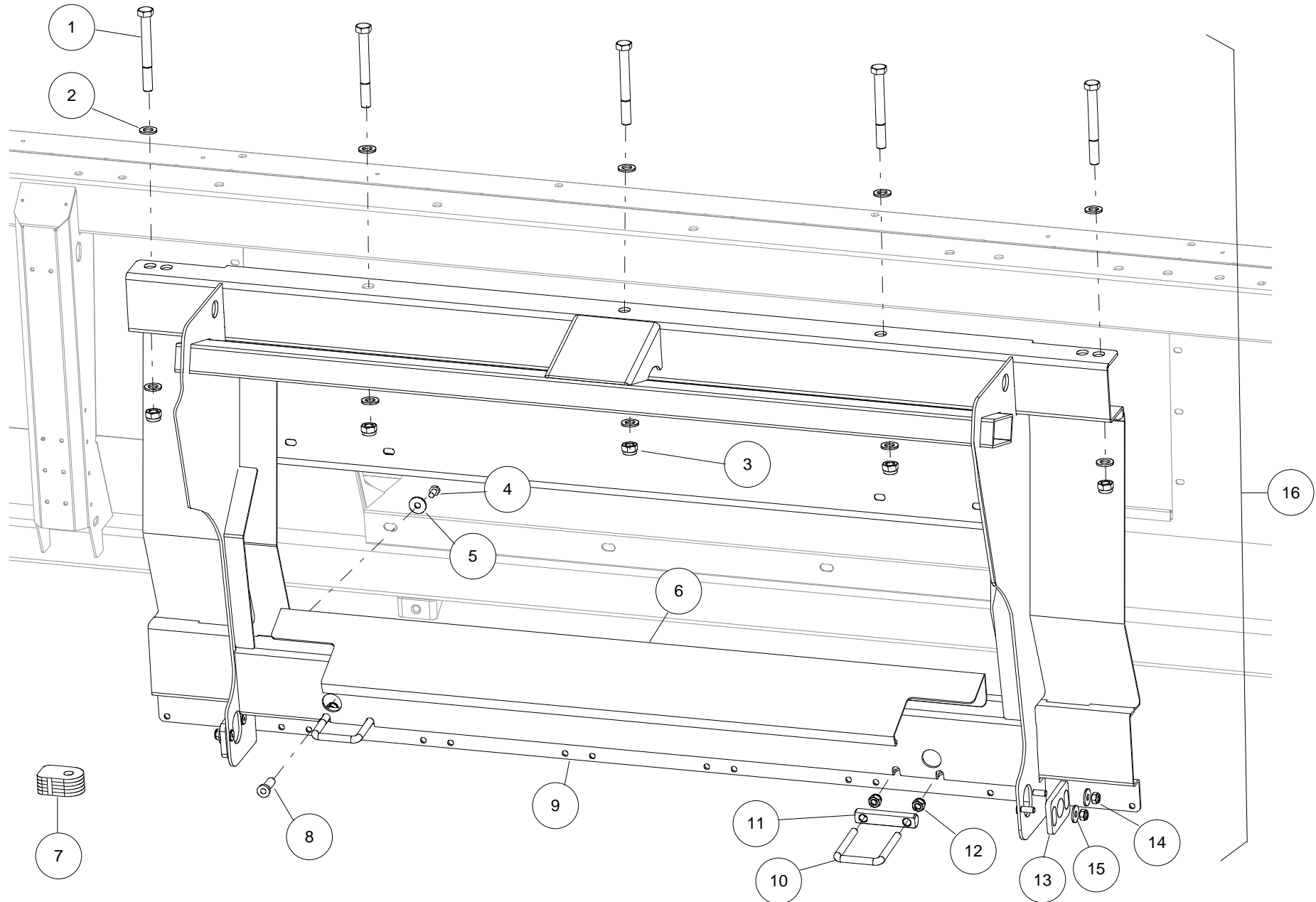


Pos	Code	Descrizione	Note	Description	Description	Beschreibung	Descripcìon
1	PMF-000196	VITE TE	M16X140	HEXAGONAL SCREW	VIS SIX PANS	SECHSKANTSCHRAUBE	TORNILLO
2	PMF-000437	RONDELLA	17X30X3	WASHER	RONDELLE	SCHEIBE	ARANDELLA
3	PMF-000052	DADO AUTOBLOCCANTE	M16	SECURING NUT	ECROU INDESSERRAB	SICHERUNGSMUTTER	CONTRATUERCA
4	PMF-000134	VITE TE	M10X20	HEXAGONAL SCREW	VIS SIX PANS	SECHSKANTSCHRAUBE	TORNILLO
5	PMF-000075	RONDELLA	10X30X2.5	WASHER	RONDELLE	SCHEIBE	ARANDELLA
6	01.3149.00	ONDA		PLATE	PLAQUE	PLATTE	PLACA
7	PMF-000091	VITE TE	M14X40	HEXAGONAL SCREW	VIS SIX PANS	SECHSKANTSCHRAUBE	TORNILLO
8	02.4520.00	RONDELLA	14X40X4	WASHER	RONDELLE	SCHEIBE	ARANDELLA
9	01.3150.00	ONDA		PLATE	PLAQUE	PLATTE	PLACA
10	01.3151.00	PIASTRA D'ATTACCO		MOUNTING PLATE	PLAQUE	EINHAENGESCHILD	PLACA DE MONTAJE
11	PMF-000186	VITE TE	M10X25	HEXAGONAL SCREW	VIS SIX PANS	SECHSKANTSCHRAUBE	TORNILLO
12	M1-80124	RONDELLA	12X30X3	WASHER	RONDELLE	SCHEIBE	ARANDELLA
13	PMF-000334	VITE TBQS	M10X20	COACH SCREW	VIS A TETE BOMBEE	FLACHRUNDSCHRAUBE	TORNILLO
14	PMF-000012	DADO TENSILOCK	M10	SECURING NUT TENSILOCK	ECROU TENSILOCK	SICHERUNGSMUTTER TENSILOCK	CONTRATUERCA TENSILOCK
15	PMF-000494	COPIGLIA		SPRING CLIP	GOUPILLE ELASTIQUE	FEDERSPLINT	CHAVETA
16	PMF-000414	DADO AUTOBLOCCANTE	M12	SECURING NUT	ECROU INDESSERRAB	SICHERUNGSMUTTER	CONTRATUERCA
17	01.3152.00	PERNO		PIVOT	TETON	ZAPFEN	PIVOTE
18	01.3174.00	STAFFA		BRACKET	SOPPORT	BUEGEL	SOPORTE
19	07.0044.00	PIASTRA D'ATTACCO COMPLETA		COMPLETE MOUNTING PLATE	PLAQUE COMPLETE	EINHAENGESCHILD KOMPLETT	PLACA DE MONTAJE COMPLETA



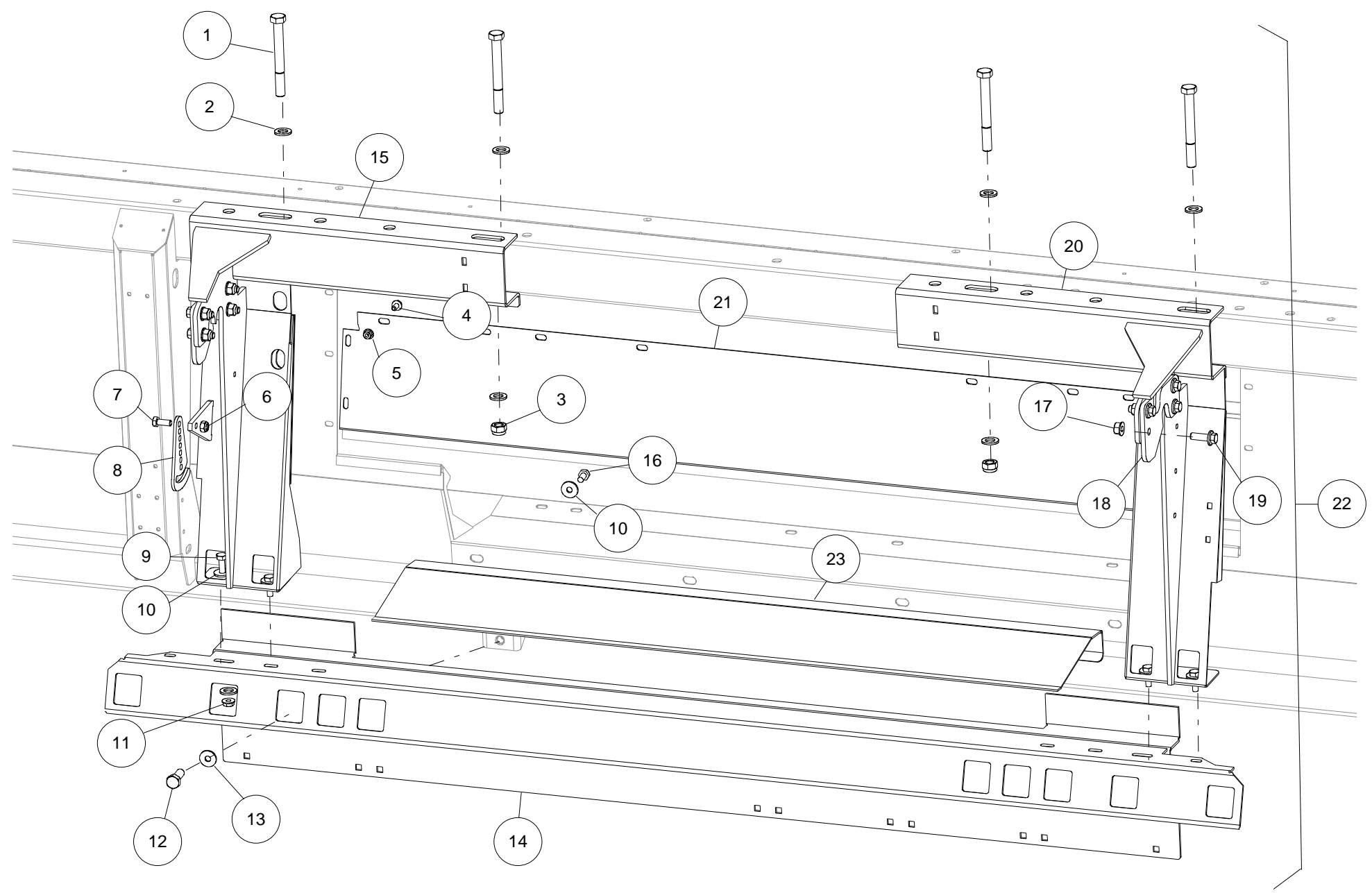
Pos	Code	Descrizione	Note	Description	Description	Beschreibung	Descripcìon
1	PMF-000196	VITE TE	M16X140	HEXAGONAL SCREW	VIS SIX PANS	SECHSKANTSCHRAUBE	TORNILLO
2	PMF-000437	RONDELLA	17X30X3	WASHER	RONDELLE	SCHEIBE	ARANDELLA
3	PMF-000052	DADO AUTOBLOCCANTE	M16	SECURING NUT	ECROU INDESSERRAB	SICHERUNGSMUTTER	CONTRATUERCA
4	PMF-000186	VITE TE	M10X25	HEXAGONAL SCREW	VIS SIX PANS	SECHSKANTSCHRAUBE	TORNILLO
5	02.4461.00	RONDELLA	10X28X2	WASHER	RONDELLE	SCHEIBE	ARANDELLA
6	PMF-000134	VITE TE	M10X20	HEXAGONAL SCREW	VIS SIX PANS	SECHSKANTSCHRAUBE	TORNILLO
7	PMF-000075	RONDELLA	10X30X2.5	WASHER	RONDELLE	SCHEIBE	ARANDELLA
8	01.3091.00	STRETTOIA SINISTRA		LEFT PLATE	PLAQUE GAUCHE	PLATTE LINKS	PLACA IZQUIERDA
9	01.3093.00	RINFORZO		REINFORCEMENT	RENFORT	VERSTAERKUNG	REFUERZO
10	01.3092.00	STRETTOIA DESTRA		LEFT PLATE	PLAQUE GAUCHE	PLATTE LINKS	PLACA IZQUIERDA
11	01.3094.00	RINFORZO		REINFORCEMENT	RENFORT	VERSTAERKUNG	REFUERZO
12	01.3095.00	PIASTRA D'ATTACCO		MOUNTING PLATE	PLAQUE	EINHAENGESCHILD	PLACA DE MONTAJE
13	02.4520.00	RONDELLA	14X40X4	WASHER	RONDELLE	SCHEIBE	ARANDELLA
14	PMF-000091	VITE TE	M14X40	HEXAGONAL SCREW	VIS SIX PANS	SECHSKANTSCHRAUBE	TORNILLO
15	07.0030.00	PIASTRA D'ATTACCO COMPLETA		COMPLETE MOUNTING PLATE	PLAQUE COMPLETE	EINHAENGESCHILD KOMPLETT	PLACA DE MONTAJE COMPLETA
16	01.3101.00	ONDA		PLATE	PLAQUE	PLATTE	PLACA

MOUNTING PLATE CASE IH LARGE MOUTHPIECE ATTACCO CASE IH IMBOCCATURA LARGA



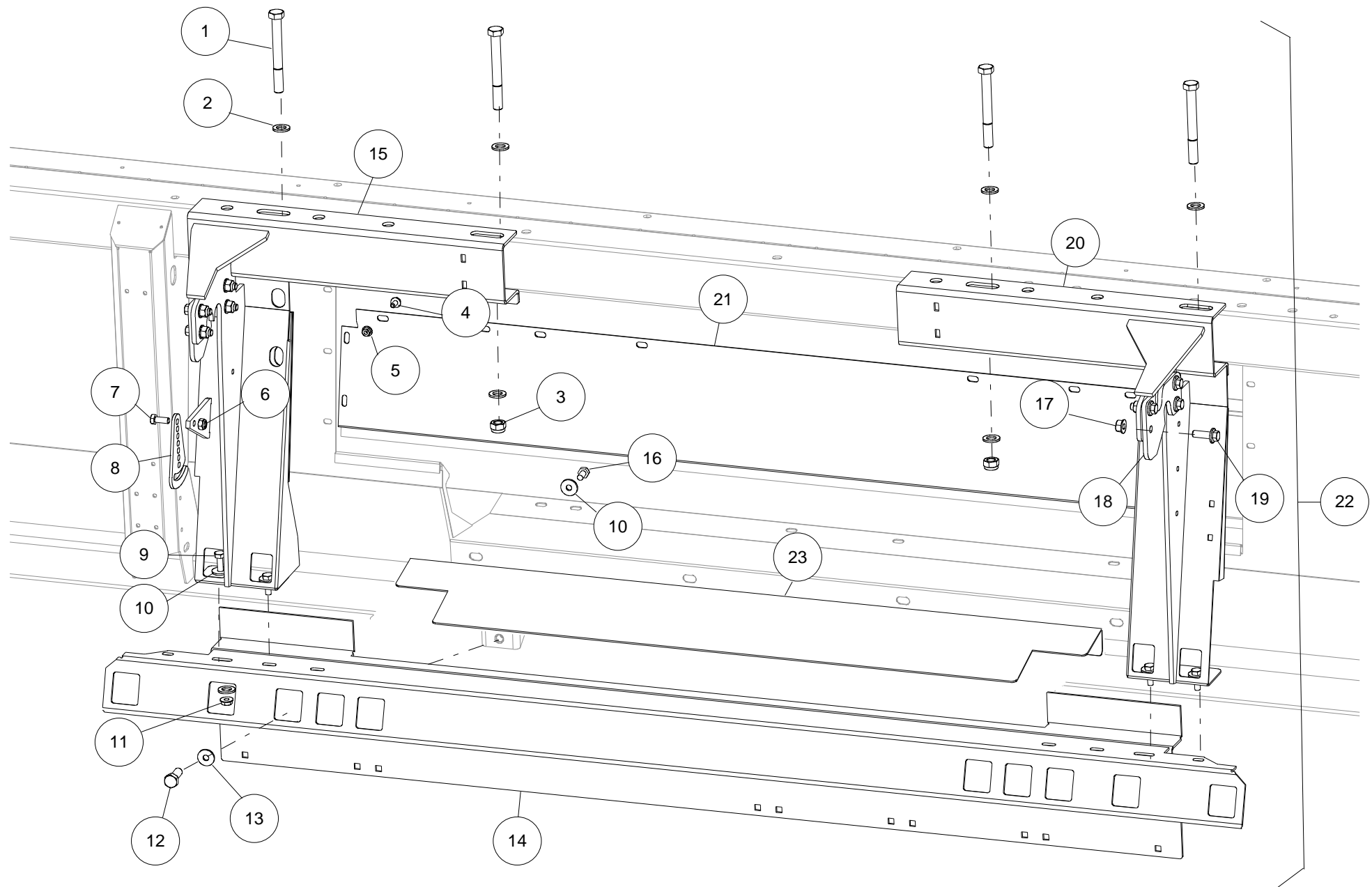
Pos	Code	Descrizione	Note	Description	Description	Beschreibung	Descripcìon
1	PMF-000196	VITE TE	M16X140	HEXAGONAL SCREW	VIS SIX PANS	SECHSKANTSCHRAUBE	TORNILLO
2	PMF-000437	RONDELLA	17X30X3	WASHER	RONDELLE	SCHEIBE	ARANDELLA
3	PMF-000052	DADO AUTOBLOCCANTE	M16	SECURING NUT	ECROU INDESSERRAB	SICHERUNGSMUTTER	CONTRATUERCA
4	PMF-000134	VITE TE	M10X20	HEXAGONAL SCREW	VIS SIX PANS	SECHSKANTSCHRAUBE	TORNILLO
5	PMF-000075	RONDELLA	10X30X2.5	WASHER	RONDELLE	SCHEIBE	ARANDELLA
6	01.3131.00	ONDA		PLATE	PLAQUE	PLATTE	PLACA
7	01.2143.00	SPESSORE		PLATE SPACER	TOLE	DISTANZBLECH	DISTANCIADOR
8	PMF-000349	VITE TSEI	M14X40	COUNTERSUNK BOLT	VIS A TETE FRAISEE	SENKSCHRAUBE	TORNILLO
9	01.3098.00	PIASTRA D'ATTACCO		MOUNTING PLATE	PLAQUE	EINHAENGESCHILD	PLACA DE MONTAJE
10	01.3132.00	FORCELLA		CLEVIS	TETE DE FOURCHE	GABELKOPF	CABEZA DE HORQUILLA
11	01.3133.00	CHIUSURA		CLOSURE	CLÔTURE	SCHLIESSEN	CIERRE
12	PMF-000414	DADO AUTOBLOCCANTE	M12	SECURING NUT	ECROU INDESSERRAB	SICHERUNGSMUTTER	CONTRATUERCA
13	01.3134.00	PIASTRA		PLATE	PLAQUE	PLATTE	PLACA
14	PMF-000068	DADO AUTOBLOCCANTE	M10	SECURING NUT	ECROU INDESSERRAB	SICHERUNGSMUTTER	CONTRATUERCA
15	PMF-000075	RONDELLA	10X30X2.5	WASHER	RONDELLE	SCHEIBE	ARANDELLA
16	07.0021.00	PIASTRA D'ATTACCO COMPLETA		COMPLETE MOUNTING PLATE	PLAQUE COMPLETE	EINHAENGESCHILD KOMPLETT	PLACA DE MONTAJE COMPLETA

MOUNTING PLATE LAVERDA LARGE MOUTHPIECE ATTACCO LAVERDA IMBOCCATURA LARGA

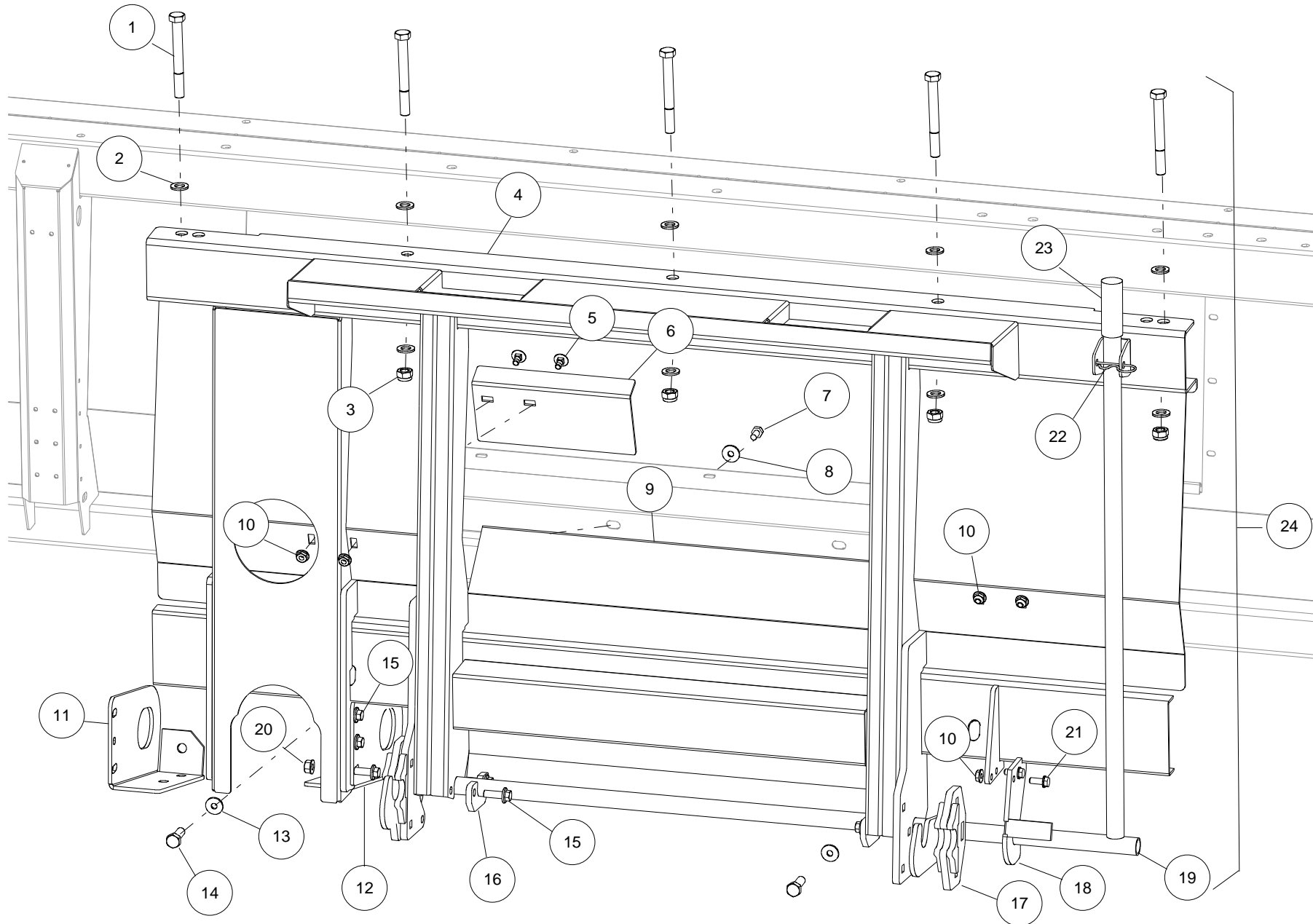


Pos	Code	Descrizione	Note	Description	Description	Beschreibung	Descripció
1	PMF-000196	VITE TE	M16X140	HEXAGONAL SCREW	VIS SIX PANS	SECHSKANTSCHRAUBE	TORNILLO
2	PMF-000437	RONDELLA	17X30X3	WASHER	RONDELLE	SCHEIBE	ARANDELLA
3	PMF-000052	DADO AUTOBLOCCANTE	M16	SECURING NUT	ECROU INDESSERRAB	SICHERUNGSMUTTER	CONTRATUERCA
4	PMF-000047	VITE TENSILOCK	M8X16	SECURING SCREW TENSILOCK	VIS TENSILOCK	SCHRAUBE TENSILOCK	TORNILLO TENSILOCK
5	PMF-000016	DADO TENSILOCK	M8	SECURING NUT TENSILOCK	ECROU TENSILOCK	SICHERUNGSMUTTER TENSILOCK	CONTRATUERCA TENSILOCK
6	PMF-000068	DADO AUTOBLOCCANTE	M10	SECURING NUT	ECROU INDESSERRAB	SICHERUNGSMUTTER	CONTRATUERCA
7	PMF-000186	VITE TE	M10X25	HEXAGONAL SCREW	VIS SIX PANS	SECHSKANTSCHRAUBE	TORNILLO
8	01.3137.00	GANCIO		HOOK	CROCHET	VERSCHLUSSHAKEN	GANCHO
9	PMF-000132	VITE TE	M10X30	HEXAGONAL SCREW	VIS SIX PANS	SECHSKANTSCHRAUBE	TORNILLO
10	PMF-000075	RONDELLA	10X30X2.5	WASHER	RONDELLE	SCHEIBE	ARANDELLA
11	PMF-000012	DADO TENSILOCK	M10	SECURING NUT TENSILOCK	ECROU TENSILOCK	SICHERUNGSMUTTER TENSILOCK	CONTRATUERCA TENSILOCK
12	PMF-000091	VITE TE	M14X40	HEXAGONAL SCREW	VIS SIX PANS	SECHSKANTSCHRAUBE	TORNILLO
13	02.4520.00	RONDELLA	14X40X4	WASHER	RONDELLE	SCHEIBE	ARANDELLA
14	01.3138.00	TRAVERSA		CROSSBAR	TRAVERSE	QUERLATTE	TRAVERSANO
15	01.3139.00	MONTANTE		MAST	MAST	MAST	MÁSTIL
16	PMF-000134	VITE TE	M10X20	HEXAGONAL SCREW	VIS SIX PANS	SECHSKANTSCHRAUBE	TORNILLO
17	PMF-000060	DADO TENSILOCK	M12	SECURING NUT TENSILOCK	ECROU TENSILOCK	SICHERUNGSMUTTER TENSILOCK	CONTRATUERCA TENSILOCK
18	01.3140.00	BLOCCAGGIO		LOCKING	BLOCAGE	VERSCHLUSS	TAPA
19	PMF-000252	VITE TENSILOCK	M12X35	SECURING SCREW TENSILOCK	VIS TENSILOCK	SCHRAUBE TENSILOCK	TORNILLO TENSILOCK
20	01.3141.00	MONTANTE		MAST	MAST	MAST	MÁSTIL
21	01.3142.00	RIPARO PANNOCCHIE		SHELTER COB	CAOTCHOUC	SHELTER COB	COB REPARO
22	07.0050.00	PIASTRA D'ATTACCO COMPLETA		COMPLETE MOUNTING PLATE	PLAQUE COMPLETE	EINHAENGESCHILD KOMPLETT	PLACA DE MONTAJE COMPLETA
23	01.3143.00	ONDA		PLATE	PLAQUE	PLATTE	PLACA

MOUNTING PLATE LAVERDA NARROW MOUTH ATTACCO LAVERDA IMB. STRETTA

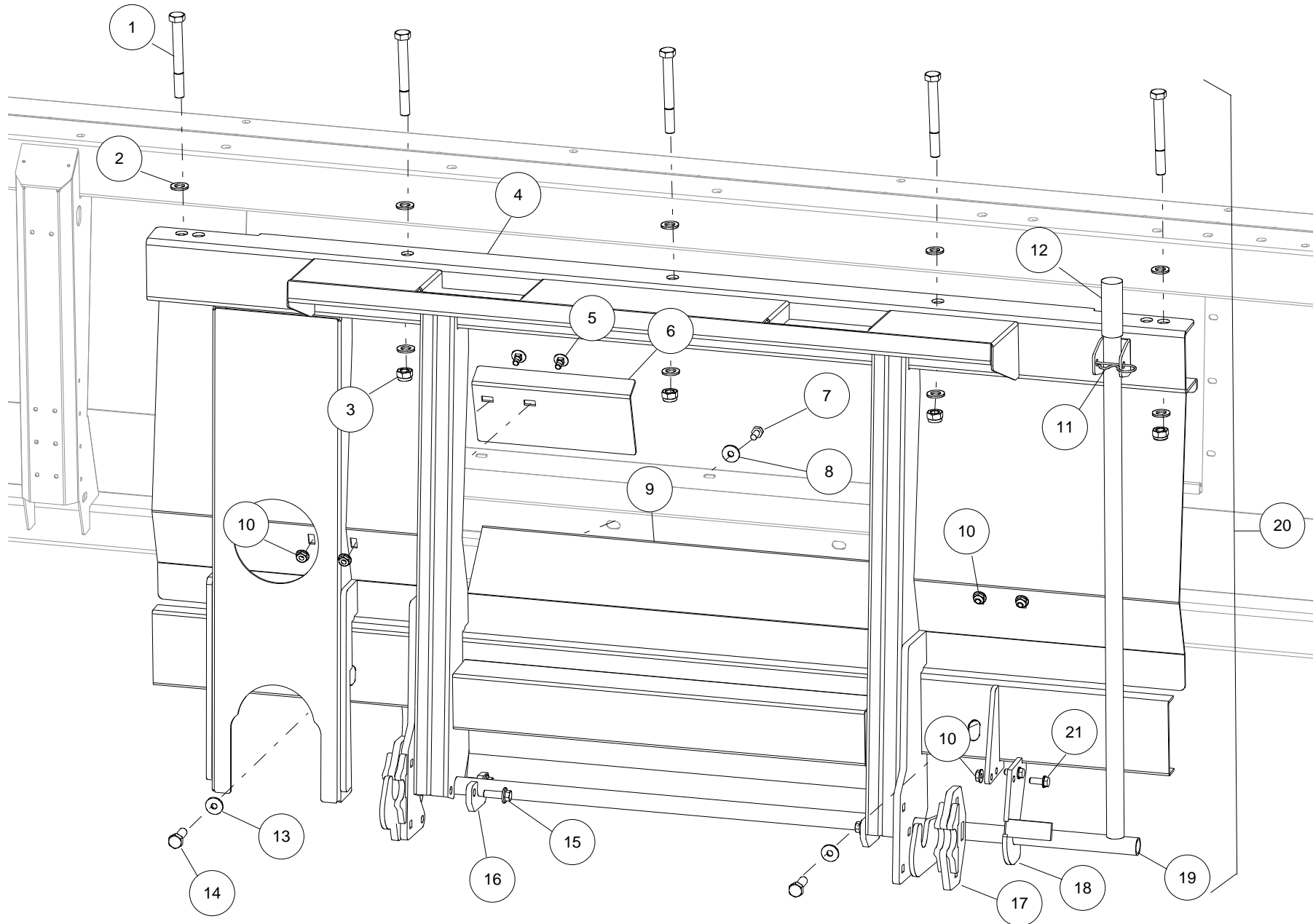


Pos	Code	Descrizione	Note	Description	Description	Beschreibung	Descripcìon
1	PMF-000196	VITE TE	M16X140	HEXAGONAL SCREW	VIS SIX PANS	SECHSKANTSCHRAUBE	TORNILLO
2	PMF-000437	RONDELLA	17X30X3	WASHER	RONDELLE	SCHEIBE	ARANDELLA
3	PMF-000052	DADO AUTOBLOCCANTE	M16	SECURING NUT	ECROU INDESSERRAB	SICHERUNGSMUTTER	CONTRATUERCA
4	PMF-000047	VITE TENSILOCK	M8X16	SECURING SCREW TENSILOCK	VIS TENSILOCK	SCHRAUBE TENSILOCK	TORNILLO TENSILOCK
5	PMF-000016	DADO TENSILOCK	M8	SECURING NUT TENSILOCK	ECROU TENSILOCK	SICHERUNGSMUTTER TENSILOCK	CONTRATUERCA TENSILOCK
6	PMF-000068	DADO AUTOBLOCCANTE	M10	SECURING NUT	ECROU INDESSERRAB	SICHERUNGSMUTTER	CONTRATUERCA
7	PMF-000186	VITE TE	M10X25	HEXAGONAL SCREW	VIS SIX PANS	SECHSKANTSCHRAUBE	TORNILLO
8	01.3137.00	GANCIO		HOOK	CROCHET	VERSCHLUSSHAKEN	GANCHO
9	PMF-000132	VITE TE	M10X30	HEXAGONAL SCREW	VIS SIX PANS	SECHSKANTSCHRAUBE	TORNILLO
10	PMF-000075	RONDELLA	10X30X2.5	WASHER	RONDELLE	SCHEIBE	ARANDELLA
11	PMF-000012	DADO TENSILOCK	M10	SECURING NUT TENSILOCK	ECROU TENSILOCK	SICHERUNGSMUTTER TENSILOCK	CONTRATUERCA TENSILOCK
12	PMF-000091	VITE TE	M14X40	HEXAGONAL SCREW	VIS SIX PANS	SECHSKANTSCHRAUBE	TORNILLO
13	02.4520.00	RONDELLA	14X40X4	WASHER	RONDELLE	SCHEIBE	ARANDELLA
14	01.3138.00	TRAVERSA		CROSSBAR	TRAVERSE	QUERLATTE	TRAVERSANO
15	01.3139.00	MONTANTE		MAST	MAST	MAST	MÁSTIL
16	PMF-000134	VITE TE	M10X20	HEXAGONAL SCREW	VIS SIX PANS	SECHSKANTSCHRAUBE	TORNILLO
17	PMF-000060	DADO TENSILOCK	M12	SECURING NUT TENSILOCK	ECROU TENSILOCK	SICHERUNGSMUTTER TENSILOCK	CONTRATUERCA TENSILOCK
18	01.3140.00	BLOCCAGGIO		LOCKING	BLOCAGE	VERSCHLUSS	TAPA
19	PMF-000252	VITE TENSILOCK	M12X35	SECURING SCREW TENSILOCK	VIS TENSILOCK	SCHRAUBE TENSILOCK	TORNILLO TENSILOCK
20	01.3141.00	MONTANTE		MAST	MAST	MAST	MÁSTIL
21	01.3142.00	RIPARO PANNOCCHIE		SHELTER COB	CAOTCHOUC	SHELTER COB	COB REPARO
22	07.0051.00	PIASTRA D'ATTACCO COMPLETA		COMPLETE MOUNTING PLATE	PLAQUE COMPLETE	EINHAENGESCHILD KOMPLETT	PLACA DE MONTAJE COMPLETA
23	01.3144.00	ONDA		PLATE	PLAQUE	PLATTE	PLACA

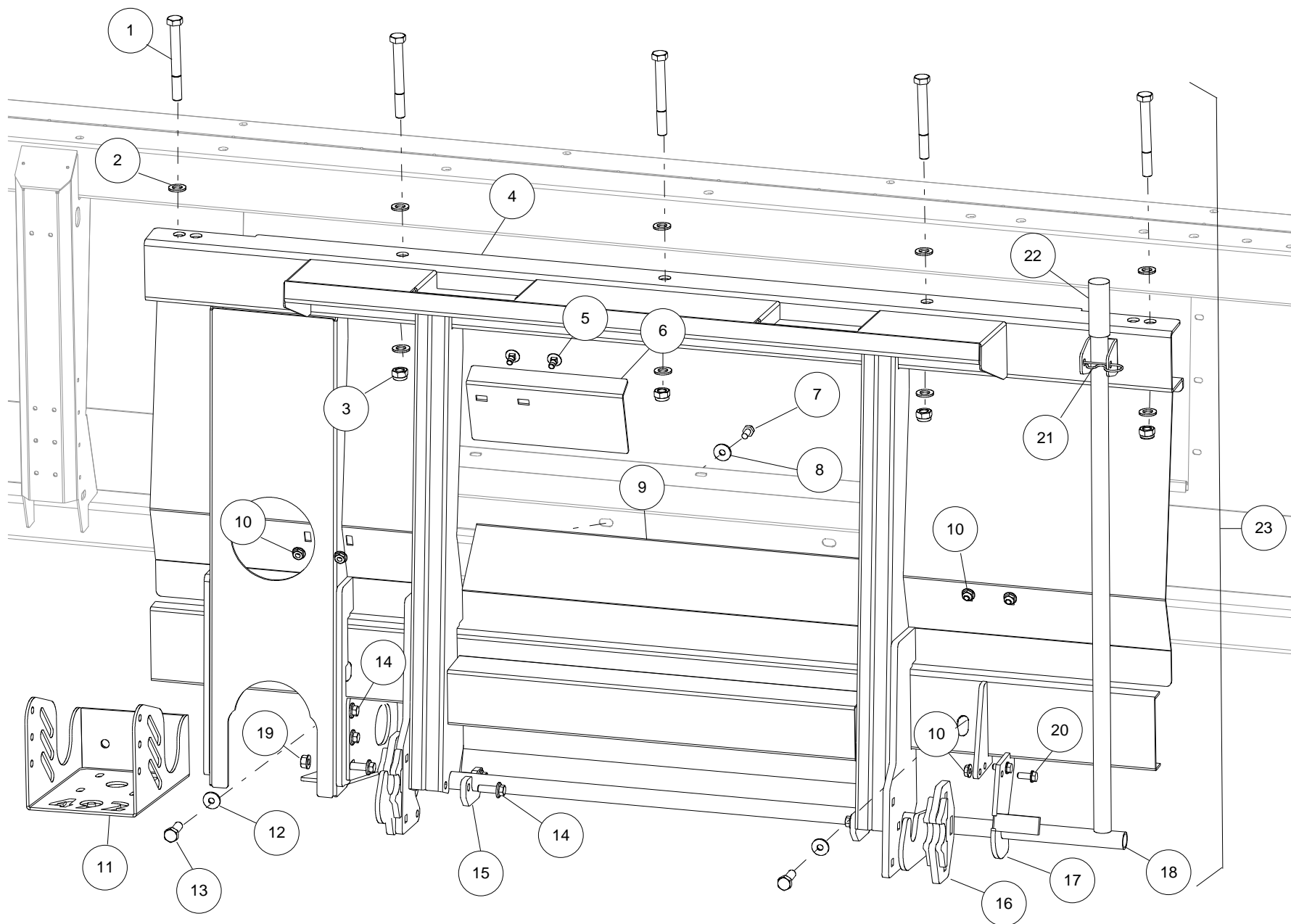


Pos	Code	Descrizione	Note	Description	Description	Beschreibung	Descripcìon
1	PMF-000196	VITE TE	M16X140	HEXAGONAL SCREW	VIS SIX PANS	SECHSKANTSCHRAUBE	TORNILLO
2	PMF-000437	RONDELLA	17X30X3	WASHER	RONDELLE	SCHEIBE	ARANDELLA
3	PMF-000052	DADO AUTOBLOCCANTE	M16	SECURING NUT	ECROU INDESSERRAB	SICHERUNGSMUTTER	CONTRATUERCA
4	01.3153.00	PIASTRA D'ATTACCO		MOUNTING PLATE	PLAQUE	EINHAENGESCHILD	PLACA DE MONTAJE
5	PMF-000334	VITE TBQS	M10X20	COACH SCREW	VIS A TETE BOMBEE	FLACHRUNDSCHRAUBE	TORNILLO
6	01.3154.00	RASAMENTO	RIGHT	STRIPPER KNIFE	LAME RACLEUSE	ABSTREIFMESSER	RASCADOR
6	01.3155.00	RASAMENTO	LEFT	STRIPPER KNIFE	LAME RACLEUSE	ABSTREIFMESSER	RASCADOR
7	PMF-000029	VITE TBQS	M10X25	COACH SCREW	VIS A TETE BOMBEE	FLACHRUNDSCHRAUBE	TORNILLO
8	PMF-000075	RONDELLA	10X30X2.5	WASHER	RONDELLE	SCHEIBE	ARANDELLA
9	01.3167.00	ONDA		PLATE	PLAQUE	PLATTE	PLACA
10	PMF-000012	DADO TENSILOCK	M10	SECURING NUT TENSILOCK	ECROU TENSILOCK	SICHERUNGSMUTTER TENSILOCK	CONTRATUERCA TENSILOCK
11	01.3171.00	SUPPORTO	LEFT	SUPPORT	SUPPORT	ABSTUZUNG	SOPORTE
12	01.3172.00	SUPPORTO	RIGHT	SUPPORT	SUPPORT	ABSTUZUNG	SOPORTE
13	02.4520.00	RONDELLA	14X40X4	WASHER	RONDELLE	SCHEIBE	ARANDELLA
14	PMF-000091	VITE TE	M14X40	HEXAGONAL SCREW	VIS SIX PANS	SECHSKANTSCHRAUBE	TORNILLO
15	PMF-000042	VITE TENSILOCK	M12X30	SECURING SCREW TENSILOCK	VIS TENSILOCK	SCHRAUBE TENSILOCK	TORNILLO TENSILOCK
16	01.3157.00	SUPPORTO		SUPPORT	SUPPORT	ABSTUZUNG	SOPORTE
17	01.3158.00	CENTRAGGIO		CENTERING	CENTRAGE	ZENTRIER	CENTRAJE
18	01.3159.00	SOSTEGNO		SUPPORT	SUPPORT	SUPPORT	SOPORTE
19	01.3160.00	LEVA		LEVER	LEVIER	HEBEL	PALANCA
20	PMF-000060	DADO TENSILOCK	M12	SECURING NUT TENSILOCK	ECROU TENSILOCK	SICHERUNGSMUTTER TENSILOCK	CONTRATUERCA TENSILOCK
21	PMF-000040	VITE TENSILOCK	M10X25	SECURING SCREW TENSILOCK	VIS TENSILOCK	SCHRAUBE TENSILOCK	TORNILLO TENSILOCK
22	PMF-000412	COPIGLIA		SPRING CLIP	GOUPILLE ELASTIQUE	FEDERSPLINT	CHAVETA
23	PMF-000596	MANIGLIA		STRAP	MANILLE	HANDGRIFF	MANIJA
24	07.0043.00	PIASTRA D'ATTACCO COMPLETA		COMPLETE MOUNTING PLATE	PLAQUE COMPLETE	EINHAENGESCHILD KOMPLETT	PLACA DE MONTAJE COMPLETA

MOUNTING PLATE JAGUAR 492 LATERAL ATTACCO JAGUAR 492 MOTO LATERALE

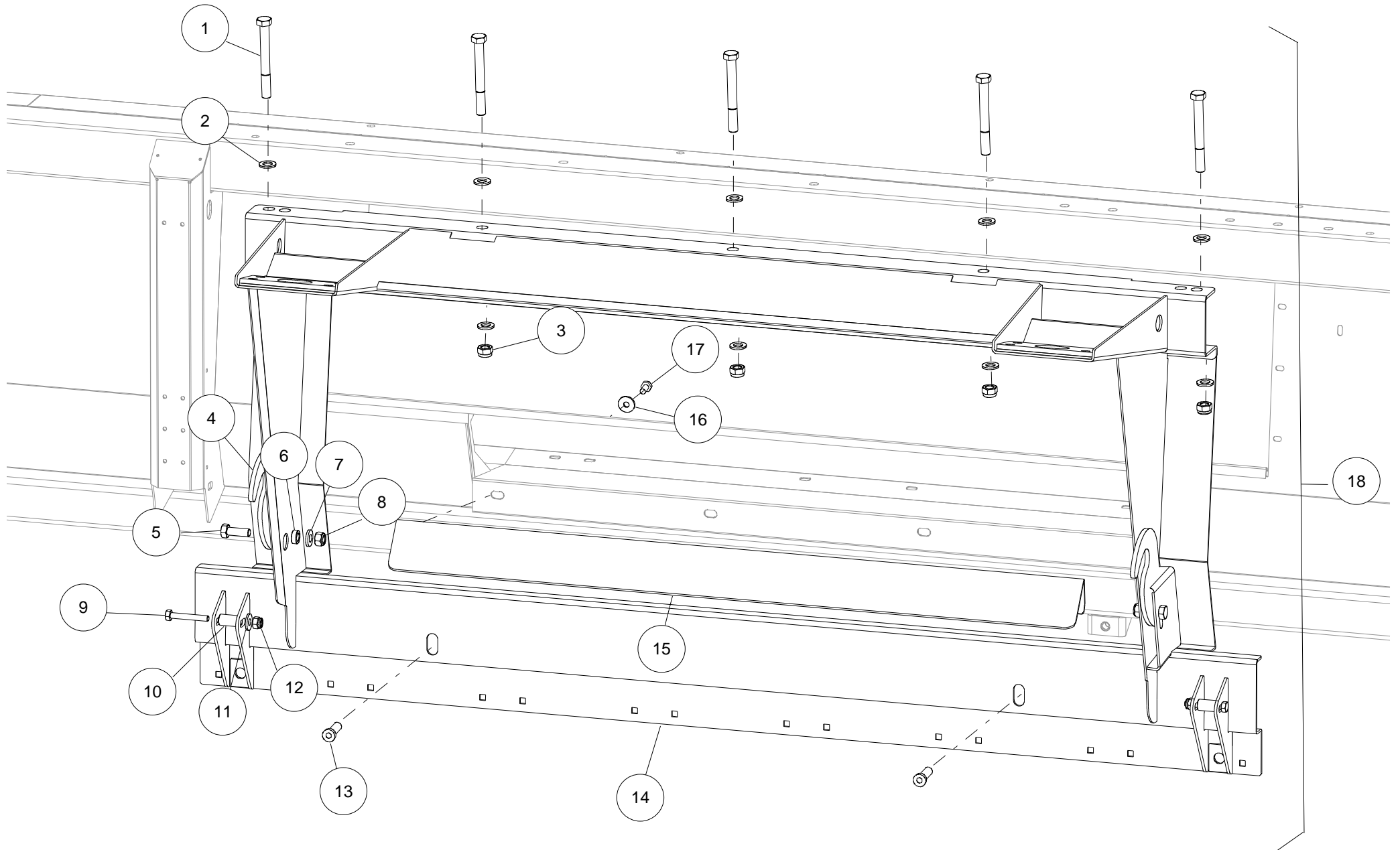


Pos	Code	Descrizione	Note	Description	Description	Beschreibung	Descripció
1	PMF-000196	VITE TE	M16X140	HEXAGONAL SCREW	VIS SIX PANS	SECHSKANTSCHRAUBE	TORNILLO
2	PMF-000437	RONDELLA	17X30X3	WASHER	RONDELLE	SCHEIBE	ARANDELLA
3	PMF-000052	DADO AUTOBLOCCANTE	M16	SECURING NUT	ECROU INDESSERRAB	SICHERUNGSMUTTER	CONTRATUERCA
4	01.3153.00	PIASTRA D'ATTACCO		MOUNTING PLATE	PLAQUE	EINHAENGESCHILD	PLACA DE MONTAJE
5	PMF-000334	VITE TBQS	M10X20	COACH SCREW	VIS A TETE BOMBEE	FLACHRUNDSCHRAUBE	TORNILLO
6	01.3154.00	RASAMENTO	RIGHT	STRIPPER KNIFE	LAME RACLEUSE	ABSTREIFMESSER	RASCADOR
6	01.3155.00	RASAMENTO	LEFT	STRIPPER KNIFE	LAME RACLEUSE	ABSTREIFMESSER	RASCADOR
7	PMF-000029	VITE TBQS	M10X25	COACH SCREW	VIS A TETE BOMBEE	FLACHRUNDSCHRAUBE	TORNILLO
8	PMF-000075	RONDELLA	10X30X2.5	WASHER	RONDELLE	SCHEIBE	ARANDELLA
9	01.3167.00	ONDA		PLATE	PLAQUE	PLATTE	PLACA
10	PMF-000012	DADO TENSILOCK	M10	SECURING NUT TENSILOCK	ECROU TENSILOCK	SICHERUNGSMUTTER TENSILOCK	CONTRATUERCA TENSILOCK
11	PMF-000412	COPIGLIA		SPRING CLIP	GOUPILLE ELASTIQUE	FEDERSPLINT	CHAVETA
12	PMF-000596	MANIGLIA		STRAP	MANILLE	HANDGRIFF	MANIJA
13	02.4520.00	RONDELLA	14X40X4	WASHER	RONDELLE	SCHEIBE	ARANDELLA
14	PMF-000091	VITE TE	M14X40	HEXAGONAL SCREW	VIS SIX PANS	SECHSKANTSCHRAUBE	TORNILLO
15	PMF-000042	VITE TENSILOCK	M12X30	SECURING SCREW TENSILOCK	VIS TENSILOCK	SCHRAUBE TENSILOCK	TORNILLO TENSILOCK
16	01.3157.00	SUPPORTO		SUPPORT	SUPPORT	ABSTUZUNG	SOPORTE
17	01.3158.00	CENTRAGGIO		CENTERING	CENTRAGE	ZENTRIER	CENTRAJE
18	01.3159.00	SOSTEGNO		SUPPORT	SUPPORT	SUPPORT	SOPORTE
19	01.3160.00	LEVA		LEVER	LEVIER	HEBEL	PALANCA
20	07.0076.00	PIASTRA D'ATTACCO COMPLETA		COMPLETE MOUNTING PLATE	PLAQUE COMPLETE	EINHAENGESCHILD KOMPLETT	PLACA DE MONTAJE COMPLETA
21	PMF-000040	VITE TENSILOCK	M10X25	SECURING SCREW TENSILOCK	VIS TENSILOCK	SCHRAUBE TENSILOCK	TORNILLO TENSILOCK



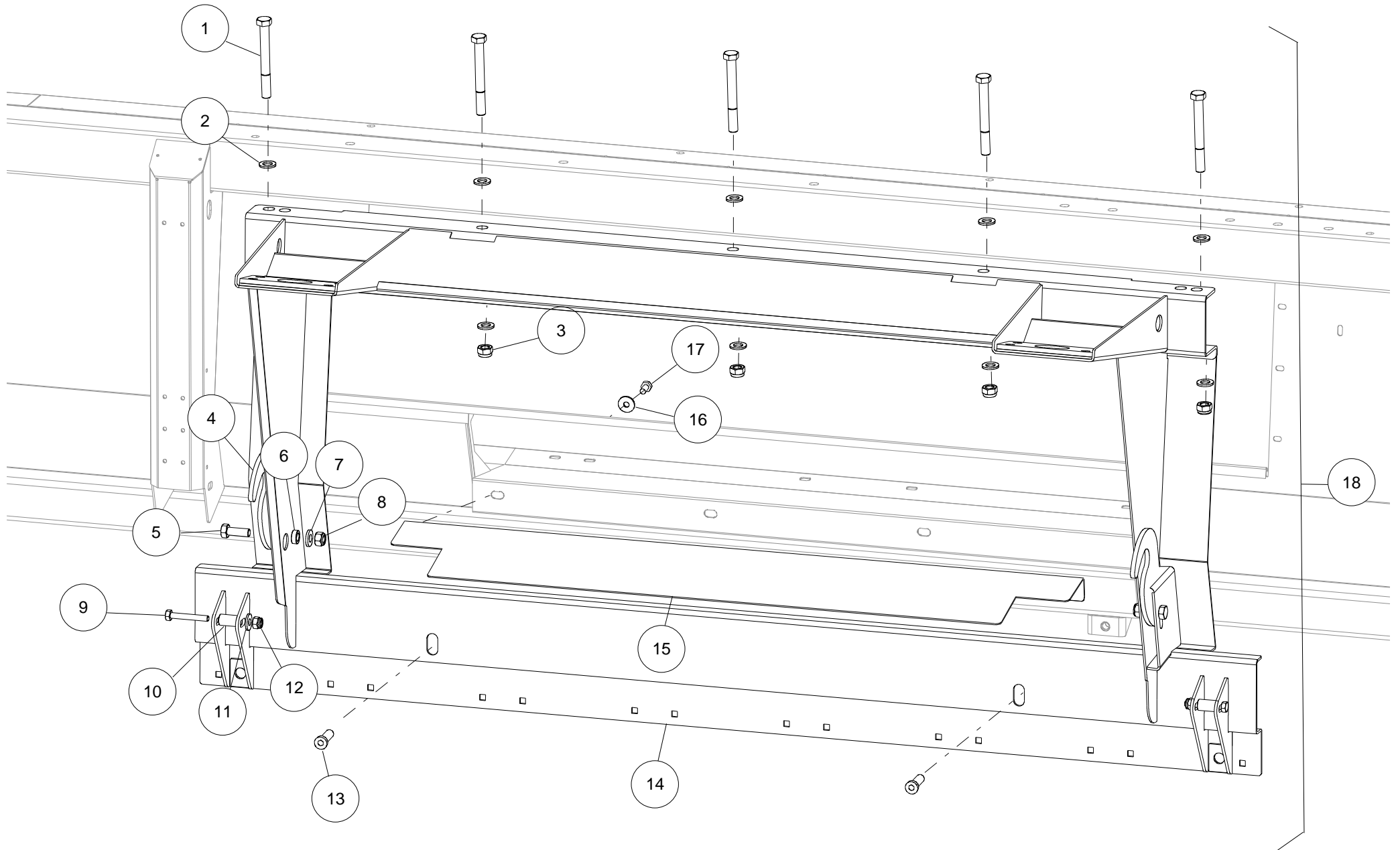
Pos	Code	Descrizione	Note	Description	Description	Beschreibung	Descripción
1	PMF-000196	VITE TE	M16X140	HEXAGONAL SCREW	VIS SIX PANS	SECHSKANTSCHRAUBE	TORNILLO
2	PMF-000437	RONDELLA	17X30X3	WASHER	RONDELLE	SCHEIBE	ARANDELLA
3	PMF-000052	DADO AUTOBLOCCANTE	M16	SECURING NUT	ECROU INDESSERRAB	SICHERUNGSMUTTER	CONTRATUERCA
4	01.3153.00	PIASTRA D'ATTACCO		MOUNTING PLATE	PLAQUE	EINHAENGESCHILD	PLACA DE MONTAJE
5	PMF-000334	VITE TBQS	M10X20	COACH SCREW	VIS A TETE BOMBEE	FLACHRUNDSCHRAUBE	TORNILLO
6	01.3154.00	RASAMENTO	RIGHT	STRIPPER KNIFE	LAME RACLEUSE	ABSTREIFMESSER	RASCADOR
6	01.3155.00	RASAMENTO	LEFT	STRIPPER KNIFE	LAME RACLEUSE	ABSTREIFMESSER	RASCADOR
7	PMF-000029	VITE TBQS	M10X25	COACH SCREW	VIS A TETE BOMBEE	FLACHRUNDSCHRAUBE	TORNILLO
8	PMF-000075	RONDELLA	10X30X2.5	WASHER	RONDELLE	SCHEIBE	ARANDELLA
9	01.3167.00	ONDA		PLATE	PLAQUE	PLATTE	PLACA
10	PMF-000012	DADO TENSILOCK	M10	SECURING NUT TENSILOCK	ECROU TENSILOCK	SICHERUNGSMUTTER TENSILOCK	CONTRATUERCA TENSILOCK
11	01.3170.00	PIASTRA		PLATE	PLAQUE	PLATTE	PLACA
12	02.4520.00	RONDELLA	14X40X4	WASHER	RONDELLE	SCHEIBE	ARANDELLA
13	PMF-000091	VITE TE	M14X40	HEXAGONAL SCREW	VIS SIX PANS	SECHSKANTSCHRAUBE	TORNILLO
14	PMF-000042	VITE TENSILOCK	M12X30	SECURING SCREW TENSILOCK	VIS TENSILOCK	SCHRAUBE TENSILOCK	TORNILLO TENSILOCK
15	01.3157.00	SUPPORTO		SUPPORT	SUPPORT	ABSTUZUNG	SOPORTE
16	01.3158.00	CENTRAGGIO		CENTERING	CENTRAGE	ZENTRIER	CENTRAJE
17	01.3159.00	SOSTEGNO		SUPPORT	SUPPORT	SUPPORT	SOPORTE
18	01.3160.00	LEVA		LEVER	LEVIER	HEBEL	PALANCA
19	PMF-000060	DADO TENSILOCK	M12	SECURING NUT TENSILOCK	ECROU TENSILOCK	SICHERUNGSMUTTER TENSILOCK	CONTRATUERCA TENSILOCK
20	PMF-000040	VITE TENSILOCK	M10X25	SECURING SCREW TENSILOCK	VIS TENSILOCK	SCHRAUBE TENSILOCK	TORNILLO TENSILOCK
21	PMF-000412	COPIGLIA		SPRING CLIP	GOUPILLE ELASTIQUE	FEDERSPLINT	CHAVETA
22	PMF-000596	MANIGLIA		STRAP	MANILLE	HANDGRIFF	MANIJA
23	07.0095.00	PIASTRA D'ATTACCO COMPLETA		COMPLETE MOUNTING PLATE	PLAQUE COMPLETE	EINHAENGESCHILD KOMPLETT	PLACA DE MONTAJE COMPLETA

MOUNTING PLATE DEUTZ FAHR LARGE MOUTH ATTACCO DEUTZ FAHR IMBOCCATURA LARGA

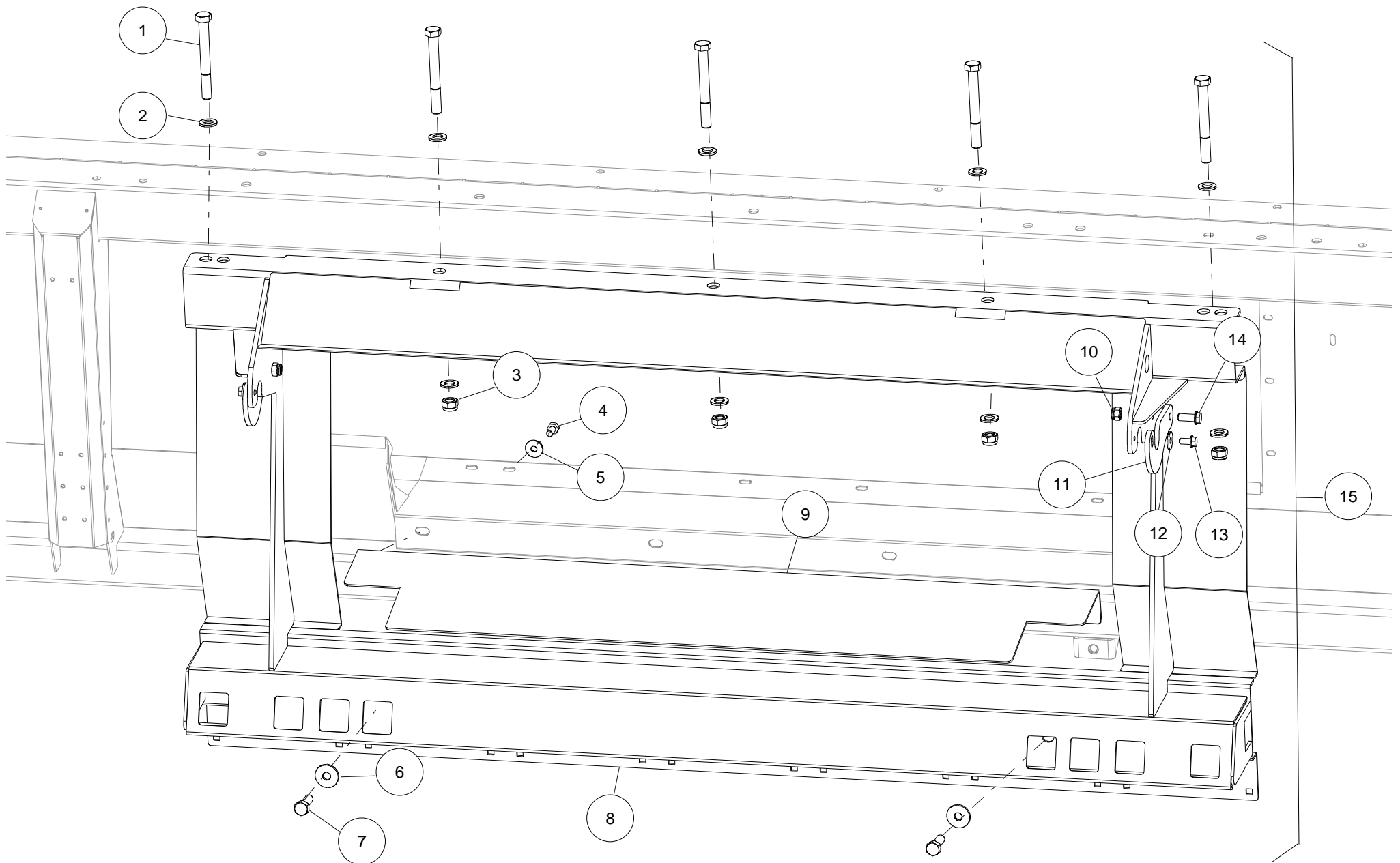


Pos	Code	Descrizione	Note	Description	Description	Beschreibung	Descripcìon
1	PMF-000196	VITE TE	M16X140	HEXAGONAL SCREW	VIS SIX PANS	SECHSKANTSCHRAUBE	TORNILLO
2	PMF-000437	RONDELLA	17X30X3	WASHER	RONDELLE	SCHEIBE	ARANDELLA
3	PMF-000052	DADO AUTOBLOCCANTE	M16	SECURING NUT	ECROU INDESSERRAB	SICHERUNGSMUTTER	CONTRATUERCA
4	01.3162.00	GANCIO		HOOK	CROCHET	VERSCHLUSSHAKEN	GANCHO
5	PMF-000091	VITE TE	M14X40	HEXAGONAL SCREW	VIS SIX PANS	SECHSKANTSCHRAUBE	TORNILLO
6	M1-50170	BOCCOLA		BUSHING	DOUILLE	BÜCHSE	HEVILLA
7	M1-10267	RONDELLA	14.5X30X4	WASHER	RONDELLE	SCHEIBE	ARANDELLA
8	PMF-000031	DADO AUTOBLOCCANTE	M14	SECURING NUT	ECROU INDESSERRAB	SICHERUNGSMUTTER	CONTRATUERCA
9	PMF-000538	VITE TE	M12X70	HEXAGONAL SCREW	VIS SIX PANS	SECHSKANTSCHRAUBE	TORNILLO
10	M1-50169	BOCCOLA		BUSHING	DOUILLE	BÜCHSE	HEVILLA
11	M1-80124	RONDELLA	12X30X3	WASHER	RONDELLE	SCHEIBE	ARANDELLA
12	PMF-000414	DADO AUTOBLOCCANTE	M12	SECURING NUT	ECROU INDESSERRAB	SICHERUNGSMUTTER	CONTRATUERCA
13	PMF-000349	VITE TSEI	M14X40	COUNTERSUNK BOLT	VIS A TETE FRAISEE	SENKSCRAUBE	TORNILLO
14	01.3175.00	PIASTRA D'ATTACCO		MOUNTING PLATE	PLAQUE	EINHAENGESCHILD	PLACA DE MONTAJE
15	01.3164.00	ONDA		PLATE	PLAQUE	PLATTE	PLACA
16	PMF-000075	RONDELLA	10X30X2.5	WASHER	RONDELLE	SCHEIBE	ARANDELLA
17	PMF-000134	VITE TE	M10X20	HEXAGONAL SCREW	VIS SIX PANS	SECHSKANTSCHRAUBE	TORNILLO
18	07.0078.00	PIASTRA D'ATTACCO COMPLETA		COMPLETE MOUNTING PLATE	PLAQUE COMPLETE	EINHAENGESCHILD KOMPLETT	PLACA DE MONTAJE COMPLETA

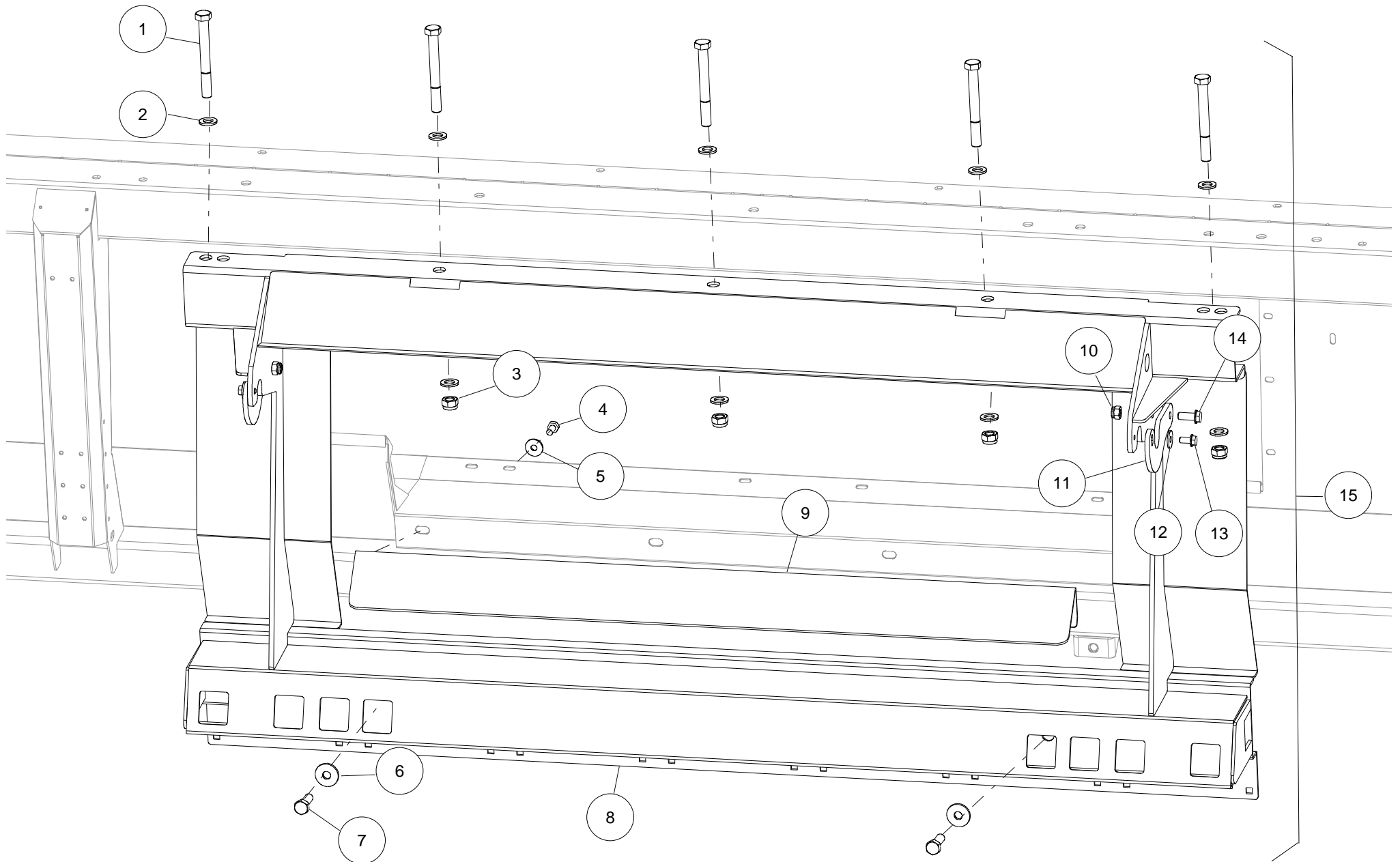
MOUNTING PLATE DEUTZ FAHR LARGE MOUTH ATTACCO DEUTZ FAHR IMBOCCATURA LARGA



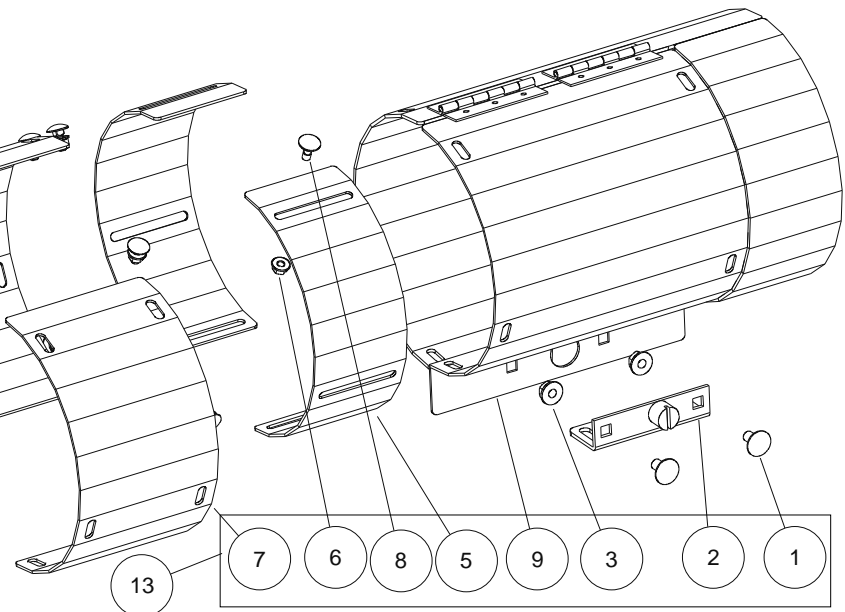
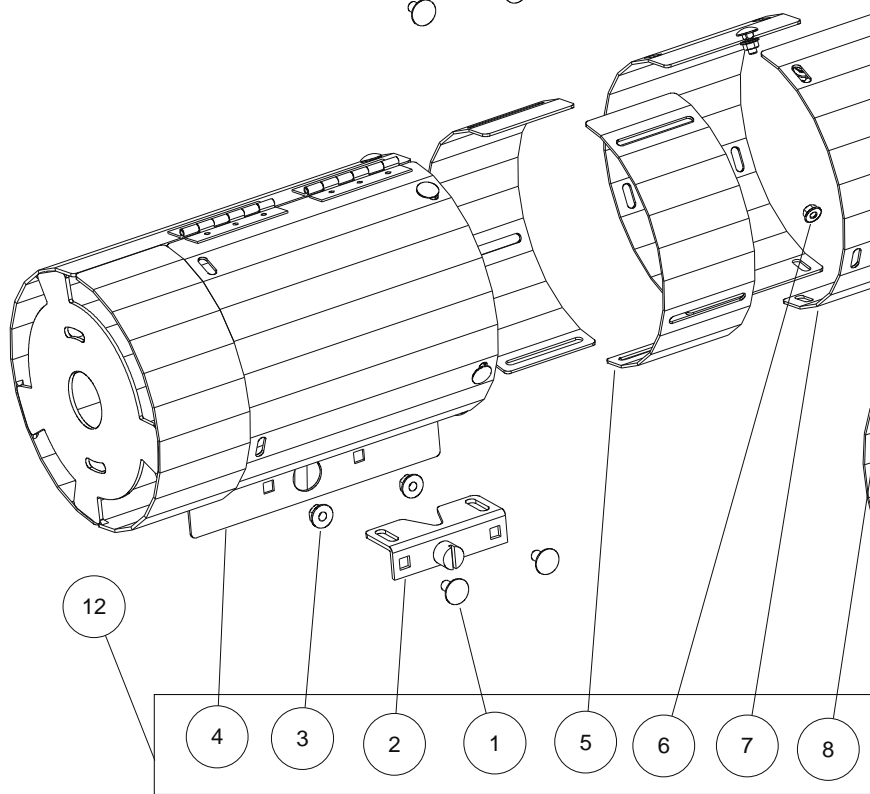
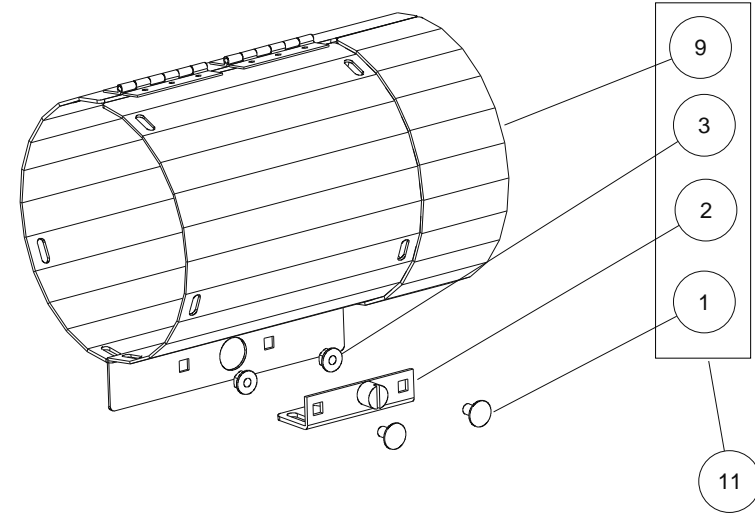
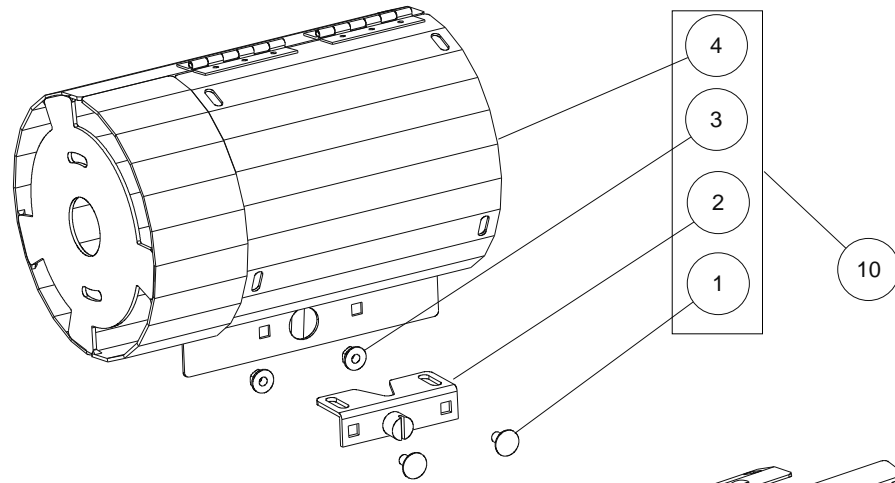
Pos	Code	Descrizione	Note	Description	Description	Beschreibung	Descripcìon
1	PMF-000196	VITE TE	M16X140	HEXAGONAL SCREW	VIS SIX PANS	SECHSKANTSCHRAUBE	TORNILLO
2	PMF-000437	RONDELLA	17X30X3	WASHER	RONDELLE	SCHEIBE	ARANDELLA
3	PMF-000052	DADO AUTOBLOCCANTE	M16	SECURING NUT	ECROU INDESSERRAB	SICHERUNGSMUTTER	CONTRATUERCA
4	01.3162.00	GANCIO		HOOK	CROCHET	VERSCHLUSSHAKEN	GANCHO
5	PMF-000091	VITE TE	M14X40	HEXAGONAL SCREW	VIS SIX PANS	SECHSKANTSCHRAUBE	TORNILLO
6	M1-50170	BOCCOLA		BUSHING	DOUILLE	BÜCHSE	HEVILLA
7	M1-10267	RONDELLA	14.5X30X4	WASHER	RONDELLE	SCHEIBE	ARANDELLA
8	PMF-000031	DADO AUTOBLOCCANTE	M14	SECURING NUT	ECROU INDESSERRAB	SICHERUNGSMUTTER	CONTRATUERCA
9	PMF-000538	VITE TE	M12X70	HEXAGONAL SCREW	VIS SIX PANS	SECHSKANTSCHRAUBE	TORNILLO
10	M1-50169	BOCCOLA		BUSHING	DOUILLE	BÜCHSE	HEVILLA
11	M1-80124	RONDELLA	12X30X3	WASHER	RONDELLE	SCHEIBE	ARANDELLA
12	PMF-000414	DADO AUTOBLOCCANTE	M12	SECURING NUT	ECROU INDESSERRAB	SICHERUNGSMUTTER	CONTRATUERCA
13	PMF-000349	VITE TSEI	M14X40	COUNTERSUNK BOLT	VIS A TETE FRAISEE	SENKSCHRAUBE	TORNILLO
14	01.3175.00	PIASTRA D'ATTACCO		MOUNTING PLATE	PLAQUE	EINHAENGESCHILD	PLACA DE MONTAJE
15	01.3163.00	ONDA		PLATE	PLAQUE	PLATTE	PLACA
16	PMF-000075	RONDELLA	10X30X2.5	WASHER	RONDELLE	SCHEIBE	ARANDELLA
17	PMF-000134	VITE TE	M10X20	HEXAGONAL SCREW	VIS SIX PANS	SECHSKANTSCHRAUBE	TORNILLO
18	07.0077.00	PIASTRA D'ATTACCO COMPLETA		COMPLETE MOUNTING PLATE	PLAQUE COMPLETE	EINHAENGESCHILD KOMPLETT	PLACA DE MONTAJE COMPLETA



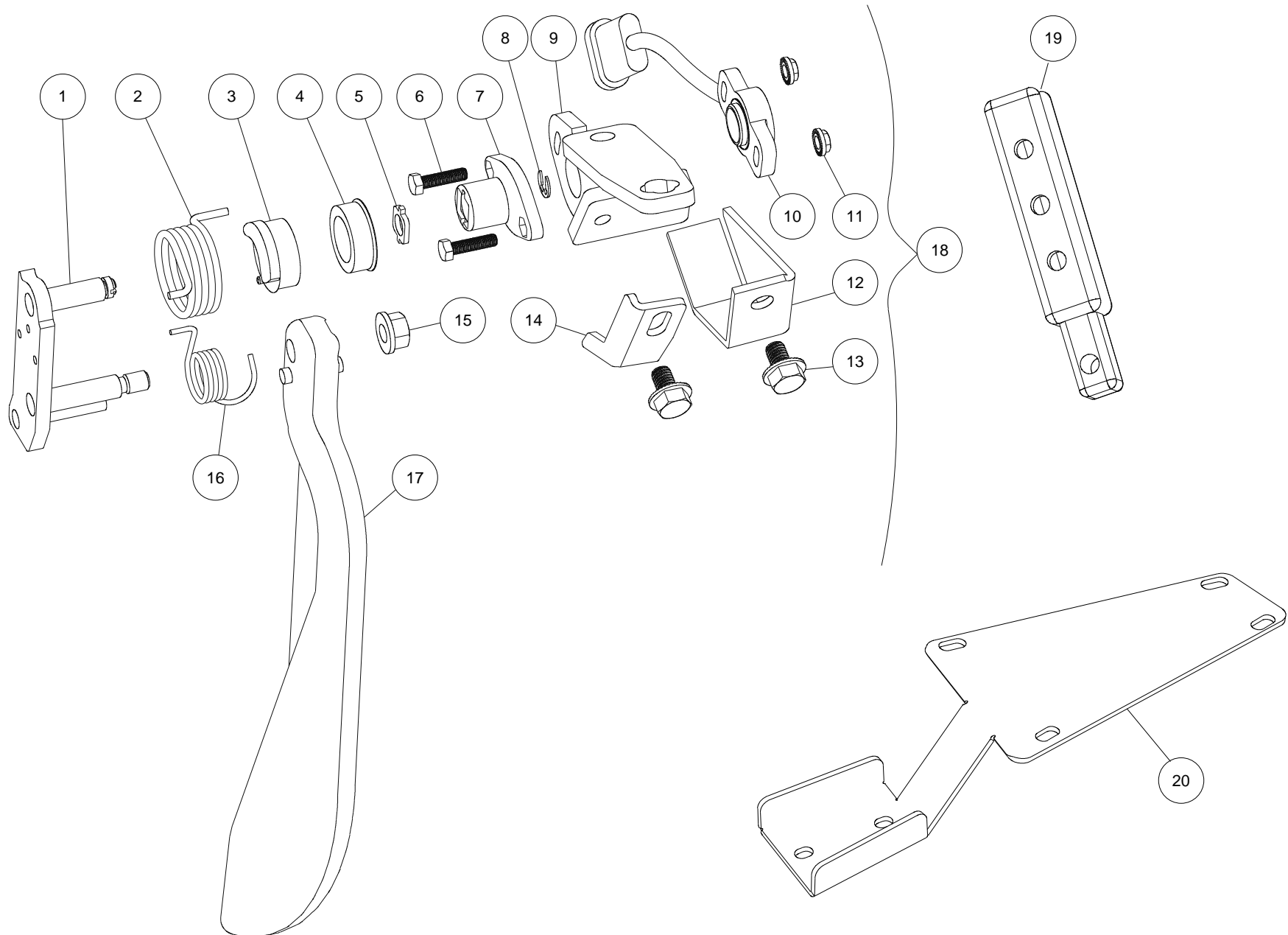
Pos	Code	Descrizione	Note	Description	Description	Beschreibung	Descripcìon
1	PMF-000196	VITE TE	M16X140	HEXAGONAL SCREW	VIS SIX PANS	SECHSKANTSCHRAUBE	TORNILLO
2	PMF-000437	RONDELLA	17X30X3	WASHER	RONDELLE	SCHEIBE	ARANDELLA
3	PMF-000052	DADO AUTOBLOCCANTE	M16	SECURING NUT	ECROU INDESSERRAB	SICHERUNGSMUTTER	CONTRATUERCA
4	PMF-000134	VITE TE	M10X20	HEXAGONAL SCREW	VIS SIX PANS	SECHSKANTSCHRAUBE	TORNILLO
5	PMF-000075	RONDELLA	10X30X2.5	WASHER	RONDELLE	SCHEIBE	ARANDELLA
6	02.4520.00	RONDELLA	14X40X4	WASHER	RONDELLE	SCHEIBE	ARANDELLA
7	PMF-000091	VITE TE	M14X40	HEXAGONAL SCREW	VIS SIX PANS	SECHSKANTSCHRAUBE	TORNILLO
8	01.3165.00	PIASTRA D'ATTACCO		MOUNTING PLATE	PLAQUE	EINHAENGESCHILD	PLACA DE MONTAJE
9	01.3166.00	ONDA		PLATE	PLAQUE	PLATTE	PLACA
10	PMF-000414	DADO AUTOBLOCCANTE	M12	SECURING NUT	ECROU INDESSERRAB	SICHERUNGSMUTTER	CONTRATUERCA
11	01.3156.00	FERMO		BLOCK	BLOC	BLOCK	BLOQUE
12	PMF-000075	RONDELLA	10X30X2.5	WASHER	RONDELLE	SCHEIBE	ARANDELLA
13	PMF-000064	VITE TENSILOCK	M10X20	SCREW TENSILOCK	VIS TENSILOCK	SCHRAUBE TENSILOCK	TORNILLO TENSILOCK
14	PMF-000042	VITE TENSILOCK	M12X30	SECURING SCREW TENSILOCK	VIS TENSILOCK	SCHRAUBE TENSILOCK	TORNILLO TENSILOCK
15	07.0054.00	PIASTRA D'ATTACCO COMPLETA		COMPLETE MOUNTING PLATE	PLAQUE COMPLETE	EINHAENGESCHILD KOMPLETT	PLACA DE MONTAJE COMPLETA



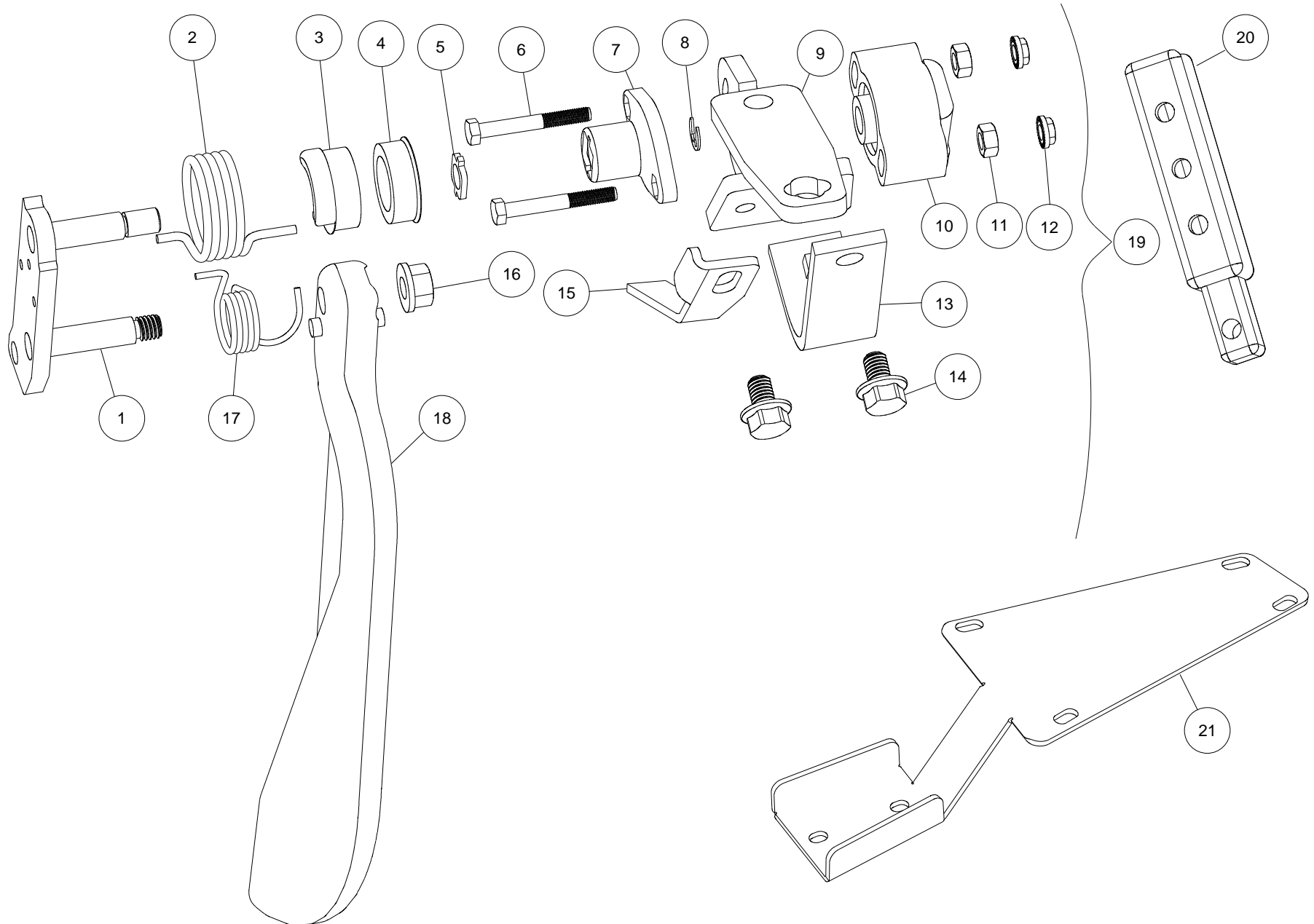
Pos	Code	Descrizione	Note	Description	Description	Beschreibung	Descripcìon
1	PMF-000196	VITE TE	M16X140	HEXAGONAL SCREW	VIS SIX PANS	SECHSKANTSCHRAUBE	TORNILLO
2	PMF-000437	RONDELLA	17X30X3	WASHER	RONDELLE	SCHEIBE	ARANDELLA
3	PMF-000052	DADO AUTOBLOCCANTE	M16	SECURING NUT	ECROU INDESSERRAB	SICHERUNGSMUTTER	CONTRATUERCA
4	PMF-000134	VITE TE	M10X20	HEXAGONAL SCREW	VIS SIX PANS	SECHSKANTSCHRAUBE	TORNILLO
5	PMF-000075	RONDELLA	10X30X2.5	WASHER	RONDELLE	SCHEIBE	ARANDELLA
6	PMF-000091	VITE TE	M14X40	HEXAGONAL SCREW	VIS SIX PANS	SECHSKANTSCHRAUBE	TORNILLO
7	02.4520.00	RONDELLA	14X40X4	WASHER	RONDELLE	SCHEIBE	ARANDELLA
8	01.3168.00	PIASTRA D'ATTACCO		MOUNTING PLATE	PLAQUE	EINHAENGESCHILD	PLACA DE MONTAJE
9	01.3169.00	ONDA		PLATE	PLAQUE	PLATTE	PLACA
10	PMF-000414	DADO AUTOBLOCCANTE	M12	SECURING NUT	ECROU INDESSERRAB	SICHERUNGSMUTTER	CONTRATUERCA
11	01.3156.00	FERMO		BLOCK	BLOC	BLOCK	BLOQUE
12	PMF-000075	RONDELLA	10X30X2.5	WASHER	RONDELLE	SCHEIBE	ARANDELLA
13	PMF-000064	VITE TENSILOCK	M10X20	SCREW TENSILOCK	VIS TENSILOCK	SCHRAUBE TENSILOCK	TORNILLO TENSILOCK
14	PMF-000042	VITE TENSILOCK	M12X30	SECURING SCREW TENSILOCK	VIS TENSILOCK	SCHRAUBE TENSILOCK	TORNILLO TENSILOCK
15	07.0053.00	PIASTRA D'ATTACCO COMPLETA		COMPLETE MOUNTING PLATE	PLAQUE COMPLETE	EINHAENGESCHILD KOMPLETT	PLACA DE MONTAJE COMPLETA



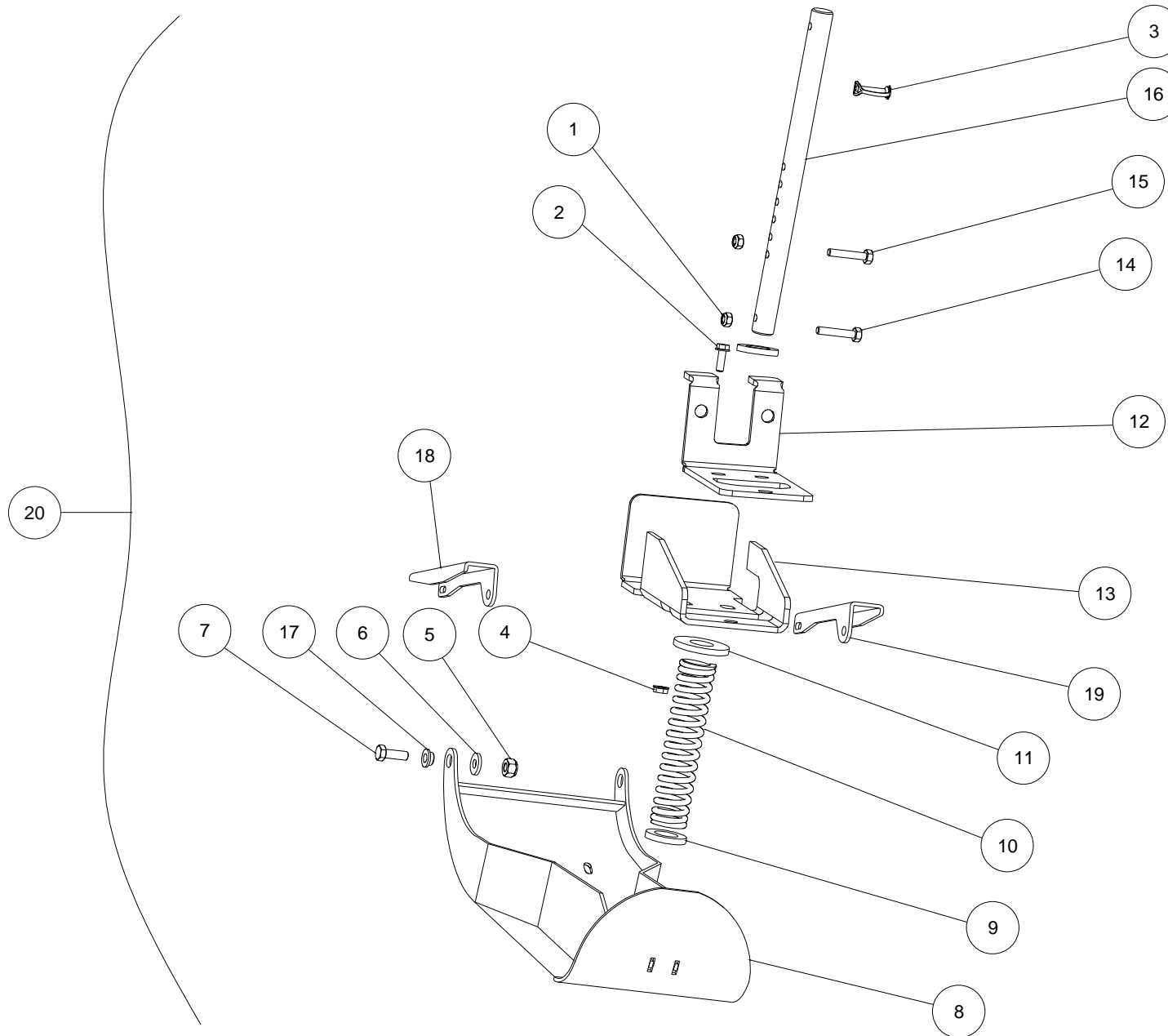
Pos	Code	Descrizione	Note	Description	Description	Beschreibung	Descripcìon
1	PMF-000393	VITE TBQS	M8X16	COACH SCREW	VIS A TETE BOMBEE	FLACHRUNDSCHRAUBE	TORNILLO
2	PMF-000001	SERRATURA		DOOR LOCK	FERRURE	TUERSCHLOSS	CERRADURA
3	PMF-000016	DADO TENSILOCK	M8	SECURING NUT TENSILOCK	ECROU TENSILOCK	SICHERUNGSMUTTER TENSILOCK	CONTRATUERCA TENSILOCK
4	01.3377.00	PROTEZIONE SINISTRA		LEFT SUPPORT	SUPPORT GAUCHE	BUGELHALTER LINKS	SOPORTE IZQUIERDO
5	01.3379.00	SUPPORTO		SUPPORT	SUPPORT	ABSTUZUNG	SOPORTE
6	01.3380.00	PIASTRA		PLATE	PLAQUE	PLATTE	PLACA
7	PMF-000490	DADO	M6	HEXAGONAL NUT	ECROU SIX PANS	SICHERUNGSMUTTER	CONTRATUERCA
8	PMF-000019	VITE TBQS	M6X16	COACH SCREW	VIS A TETE BOMBEE	FLACHRUNDSCHRAUBE	TORNILLO
9	01.3378.00	PROTEZIONE DESTRA		RIGHT SUPPORT	SUPPORT DROIT	BUGELHALTER RECHTS	SOPORTE DERECHO
10	KM-001201	PROTEZIONE SINISTRA STRETTA		LEFT SUPPORT NARROW	SUPPORT GAUCHE ESTROITE	BUGELHALTER LINKS SCHMAL	SOPORTE IZQUIERDO ESTRECHA
11	KM-001203	PROTEZIONE DESTRA STRETTA		RIGHT SUPPORT NARROW	SUPPORT DROITE ESTROITE	BUGELHALTER RECHTS SCHMAL	SOPORTE DERECHO ESTRECHA
12	KM-001202	PROTEZIONE SINISTRA LARGA		LEFT SUPPORT WIDE	SUPPORT GAUCHE LARGE	BUGELHALTER LINKS BREIT	SOPORTE IZQUIERDO ANCHA
13	KM-001204	PROTEZIONE DESTRA LARGA		RIGHT SUPPORT WIDE	SUPPORT DROITE LARGE	BUGELHALTER RECHTS BREIT	SOPORTE DERECHO ANCHA



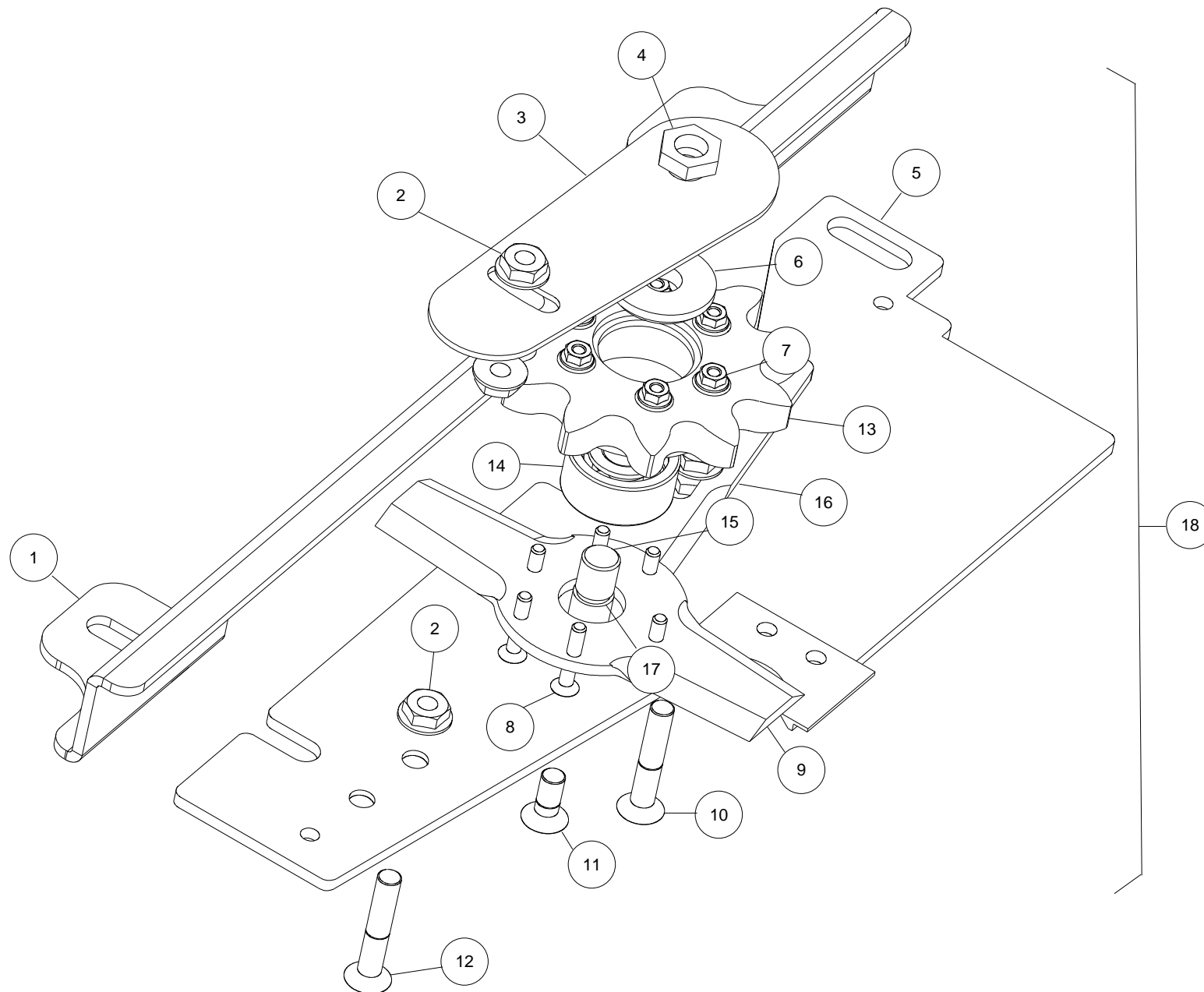
Pos	Code	Descrizione	Note	Description	Description	Beschreibung	Descripción
1	PE-000133	PIASTRA		PLATE	PLAQUE	PLATTE	PLACA
2	PE-000131	MOLLA		COMPRESS SPRING	RESSORT	DRUCKFEDER	MUELLE
3	PE-000132	BOCCOLA		BUSHING	DOUILLE	BÜCHSE	HEVILLA
4	PE-000134	BOCCOLA		BUSHING	DOUILLE	BÜCHSE	HEVILLA
5	PE-000135	GUARNIZIONE		SEAL	ETOUPAGE	DICHTUNG	JUNTA
6	PMF-000612	VITE TE	M5X20	HEXAGONAL SCREW	VIS SIX PANS	SECHSKANTSCHRAUBE	TORNILLO
7	PE-000136	BOCCOLA		BUSHING	DOUILLE	BÜCHSE	HEVILLA
8	PMF-000619	ANELLO ELASTICO	E6X0.7	CIRCLIP	CIRCLIP	SICHERUNGSRING	ANILLO ELASTICO
9	PE-000138	STAFFA		BRACKET	SUPPORT	BUEGEL	SOPORTE
10	PE-000139	POTENZIOMETRO		POTENTIOMETER	POTENTIOMETRE	DREHPOTENTIOMETER	POTENCIOMETRO
11	PMF-000613	DADO TENSILOCK	M5	SECURING NUT TENSILOCK	ECROU TENSILOCK	SICHERUNGSMUTTER TENSILOCK	CONTRATUERCA TENSILOCK
12	PE-000140	STAFFA		BRACKET	SUPPORT	BUEGEL	SOPORTE
13	PMF-000614	VITE TENSILOCK	M8X12	SCREW TENSILOCK	VIS TENSILOCK	SCHRAUBE TENSILOCK	TORNILLO TENSILOCK
14	PE-000141	STAFFA		BRACKET	SUPPORT	BUEGEL	SOPORTE
15	PMF-000615	DADO TENSILOCK	5/16-18	SECURING NUT TENSILOCK	ECROU TENSILOCK	SICHERUNGSMUTTER TENSILOCK	CONTRATUERCA TENSILOCK
16	PE-000142	MOLLA		COMPRESS SPRING	RESSORT	DRUCKFEDER	MUELLE
17	PE-000144	TASTATORE		ARM	BRAS	AUSLEGER	BRAZO
18	PE-000071	TASTATORE COMPLETO	BLACK	COMPLETE HEAD SENSOR	PALPEUR COMPLÈTE	KOPF SENSOR KOMPLETT	PALPADOR COMPLETO
19	PE-000160	PROLUNGA		EXTENSION	EXTENSION	ERWEITERUNG	AMPLIACIÓN
20	01.2288.00	SUPPORTO	R8	SUPPORT	SUPPORT	ABSTUZUNG	SOPORTE
20	01.2423.00	STAFFA	R5-R6	BRACKET	SOPPORT	BUEGEL	SOPORTE
20	01.2424.00	STAFFA	R5-R6	BRACKET	SOPPORT	BUEGEL	SOPORTE



Pos	Code	Descrizione	Note	Description	Description	Beschreibung	Descripción
1	PE-000130	PIASTRA		PLATE	PLAQUE	PLATTE	PLACA
2	PE-000131	MOLLA		COMPRESS SPRING	RESSORT	DRUCKFEDER	MUELLE
3	PE-000132	BOCCOLA		BUSHING	DOUILLE	BÜCHSE	HEVILLA
4	PE-000134	BOCCOLA		BUSHING	DOUILLE	BÜCHSE	HEVILLA
5	PE-000135	GUARNIZIONE		SEAL	ETOUPAGE	DICHTUNG	JUNTA
6	PMF-000618	VITE TE	M5X40	HEXAGONAL SCREW	VIS SIX PANS	SECHSKANTSCHRAUBE	TORNILLO
7	PE-000136	BOCCOLA		BUSHING	DOUILLE	BÜCHSE	HEVILLA
8	PMF-000619	ANELLO ELASTICO	E6X0.7	CIRCLIP	CIRCLIP	SICHERUNGSRING	ANILLO ELASTICO
9	PE-000146	STAFFA		BRACKET	SUPPORT	BUEGEL	SOPORTE
10	PE-000147	POTENZIOMETRO		POTENTIOMETER	POTENTIOMETRE	DREHPOTENTIOMETER	POTENCIOMETRO
11	PMF-000427	DADO	M6	HEXAGONAL NUT	ECROU SIX PANS	SICHERUNGSMUTTER	CONTRATUERCA
12	PMF-000613	DADO TENSILOCK	M5	SECURING NUT TENSILOCK	ECROU TENSILOCK	SICHERUNGSMUTTER TENSILOCK	CONTRATUERCA TENSILOCK
13	PE-000148	STAFFA		BRACKET	SUPPORT	BUEGEL	SOPORTE
14	PMF-000614	VITE TENSILOCK	M8X12	SCREW TENSILOCK	VIS TENSILOCK	SCHRAUBE TENSILOCK	TORNILLO TENSILOCK
15	PE-000149	STAFFA		BRACKET	SUPPORT	BUEGEL	SOPORTE
16	PMF-000615	DADO TENSILOCK	5/16-18	SECURING NUT TENSILOCK	ECROU TENSILOCK	SICHERUNGSMUTTER TENSILOCK	CONTRATUERCA TENSILOCK
17	PE-000142	MOLLA		COMPRESS SPRING	RESSORT	DRUCKFEDER	MUELLE
18	PE-000145	TASTATORE		ARM	BRAS	AUSLEGER	BRAZO
19	PE-000072	TASTATORE COMPLETO	YELLOW	COMPLETE HEAD SENSOR	PALPEUR COMPLÈTE	KOPF SENSOR KOMPLETT	PALPADOR COMPLETO
20	PE-000160	PROLUNGA		EXTENSION	EXTENSION	ERWEITERUNG	AMPLIACIÓN
21	01.2288.00	SUPPORTO	R8	SUPPORT	SUPPORT	ABSTUZUNG	SOPORTE
21	01.2423.00	STAFFA	R5-R6	BRACKET	SOPPORT	BUEGEL	SOPORTE
21	01.2424.00	STAFFA	R5-R6	BRACKET	SOPPORT	BUEGEL	SOPORTE



Pos	Code	Descrizione	Note	Description	Description	Beschreibung	Descripcìon
1	PMF-000068	DADO AUTOBLOCCANTE	M10	SECURING NUT	ECROU INDESSERRAB	SICHERUNGSMUTTER	CONTRATUERCA
2	PMF-000040	VITE TENSILOCK	M10X25	SECURING SCREW TENSILOCK	VIS TENSILOCK	SCHRAUBE TENSILOCK	TORNILLO TENSILOCK
3	PMF-000066	SPINA PER MOTOZZAPPA		FOLD PIN	GROUPILLE D'ARRET	KLAPPSTECKER	BULON DE SEGURIDAD
4	PMF-000012	DADO TENSILOCK	M10	SECURING NUT TENSILOCK	ECROU TENSILOCK	SICHERUNGSMUTTER TENSILOCK	CONTRATUERCA TENSILOCK
5	PMF-000024	DADO AUTOBLOCCANTE	M12	SECURING NUT	ECROU INDESSERRAB	SICHERUNGSMUTTER	CONTRATUERCA
6	02.1053.00	RONDELLA	12X30X4	WASHER	RONDELLE	SCHEIBE	ARANDELLA
7	PMF-000133	VITE TE	M12X30	HEXAGONAL SCREW	VIS SIX PANS	SECHSKANTSCHRAUBE	TORNILLO
8	01.1545.00	SCHIACCIASTOCCHI		STALK CRUSHER	BRIN ECRASER	ZERQUETSCHEN HALM	PLACA
9	02.4465.00	RONDELLA	33X57X8	WASHER	RONDELLE	SCHEIBE	ARANDELLA
10	M1-90097	MOLLA		COMPRESS SPRING	RESSORT	DRUCKFEDER	MUELLE
11	02.4470.00	RONDELLA	33X77X8	WASHER	RONDELLE	SCHEIBE	ARANDELLA
12	01.2704.00	SUPPORTO		SUPPORT	SUPPORT	ABSTUZUNG	SOPORTE
13	01.2705.00	SUPPORTO		SUPPORT	SUPPORT	ABSTUZUNG	SOPORTE
14	PMF-000071	VITE TE	M10X60	HEXAGONAL SCREW	VIS SIX PANS	SECHSKANTSCHRAUBE	TORNILLO
15	PMF-000409	VITE TE	M10X45	HEXAGONAL SCREW	VIS SIX PANS	SECHSKANTSCHRAUBE	TORNILLO
16	01.1565.01	ASTA D'APPOGGIO		SUPPORT ROD	ENCHERE DE SOUTIEN	SPINDEL	VARILLA
17	01.1196.00	BOCCOLA		BUSHING	DOUILLE	BÜCHSE	HEVILLA
18	01.1286.00	STAFFA SINISTRA		LEFT BRACKET	SUPPORT GAUCHE	BUEGEL LINKS	SOPORTE IZQUIERDO
19	01.1276.00	STAFFA DESTRA		RIGHT BRACKET	SUPPORT DROITE	BUEGEL RECHTS	SOPORTE DERECHO
20	05.1130.00	KIT SCHIACCIASTOCCHI COMPLETO		KIT STALK CRUSHER COMPLETE	KIT BRIN ECRASER COMPLETE	ZERQUETSCHEN HALM KOMPLETT	KIT LLENO COMPLETO

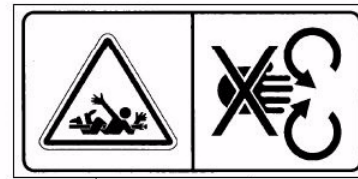


Pos	Code	Descrizione	Note	Description	Description	Beschreibung	Descripcìon
1	01.4410.00	GUIDACATENA	RIGHT	CHAIN GUIDE	GUIDE CHAINE	KETTENFUEHRUNG	GUIA PARA CADENA
1	01.4415.00	GUIDACATENA	LEFT	CHAIN GUIDE	GUIDE CHAINE	KETTENFUEHRUNG	GUIA PARA CADENA
2	PMF-000012	DADO TENSILOCK	M10	SECURING NUT TENSILOCK	ECROU TENSILOCK	SICHERUNGSMUTTER TENSILOCK	CONTRATUERCA TENSILOCK
3	03.4904.00	PIASTRA		PLATE	PLAQUE	PLATTE	PLACA
4	PMF-000390	DADO	M16	HEXAGONAL NUT	ECROU SIX PANS	SICHERUNGSMUTTER	CONTRATUERCA
5	03.4420.01	PIASTRA		PLATE	PLAQUE	PLATTE	PLACA
5	03.4425.01	PIASTRA		PLATE	PLAQUE	PLATTE	PLACA
6	03.4400.00	BOCCOLA		BUSHING	DOUILLE	BÜCHSE	HEVILLA
7	PMF-000490	DADO	M6	HEXAGONAL NUT	ECROU SIX PANS	SICHERUNGSMUTTER	CONTRATUERCA
8	PMF-000463	VITE TSEI	M6X35	COUNTERSUNK BOLT	VIS A TETE FRAISEE	SENKSCRAUBE	TORNILLO
9	03.4390.00	COLTELLO		PICKER KNIFE	LAME CUILLEUS	HACHSLERMESSER	CUCHILLO
10	PMF-000491	VITE TSEI	M10X35	COUNTERSUNK BOLT	VIS A TETE FRAISEE	SENKSCRAUBE	TORNILLO
11	02.0100.00	VITE TSEI	M10X25	COUNTERSUNK SCREW	VIS A TETE FRAISEE	SENKSCRAUBE	TORNILLO
12	PMF-000528	VITE TSEI	M10X55	COUNTERSUNK BOLT	VIS A TETE FRAISEE	SENKSCRAUBE	TORNILLO
13	03.4395.00	INGRANAGGIO		GEAR	ROUE DENTEE	STINRAD	ENGRANAJE
14	02.4450.00	CUSCINETTO		BEARING	ROULEMENT	PENDELKUGELLAGER	COJINETE
15	01.3037.00	PERNO		PIVOT	TETON	ZAPFEN	PIVOTE
16	03.4405.00	LAMA		BLADE	LAME	KLINGEN	CUCHILLA
17	PMF-000594	SPESSORE REGISTRABILE	17X24X0.3	SPACER WASHER	RONDELLE ECARTEMENT	DISTANZSCHEIBE	ARANDELLA DISTANCIADORA
18	05.0060.01	KIT GIRASOLE		KIT SUNFLOWER	KIT DE TOURNESOL	KIT SONNENBLUME	KIT DE GIRASOL
18	05.0065.01	KIT GIRASOLE		KIT SUNFLOWER	KIT DE TOURNESOL	KIT SONNENBLUME	KIT DE GIRASOL



3

7



4

9

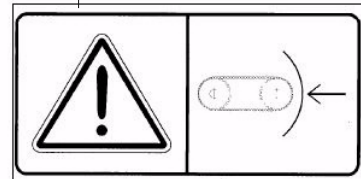


1

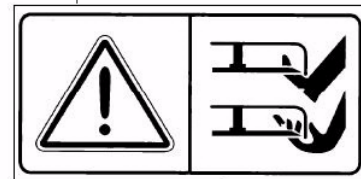
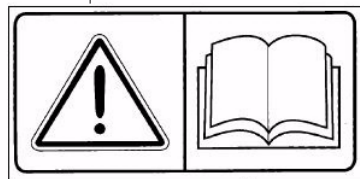
2



5



6

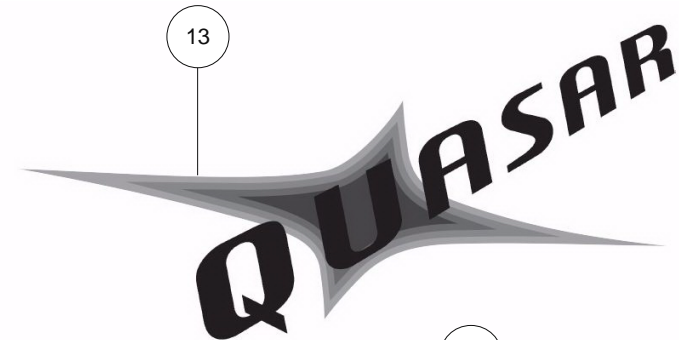


R 6 8

14

11

8

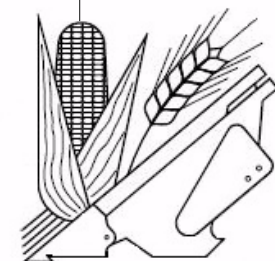


13

12



10



15



Pos	Code	Descrizione	Note	Description	Description	Beschreibung	Descripcìon
1	S1-40103	ADESIVO	n°2	TAG	ADHESIF	AUFKLEBER	ADHESIVO
2	S1-40102	ADESIVO	n°2	TAG	ADHESIF	AUFKLEBER	ADHESIVO
3	S1-40105	ADESIVO	n°2	TAG	ADHESIF	AUFKLEBER	ADHESIVO
4	S1-40101	ADESIVO	n°2	TAG	ADHESIF	AUFKLEBER	ADHESIVO
5	S1-40100	ADESIVO	n°1	TAG	ADHESIF	AUFKLEBER	ADHESIVO
6	S1-40117	ADESIVO	n°2	TAG	ADHESIF	AUFKLEBER	ADHESIVO
7	S1-40115	ADESIVO	n°2	TAG	ADHESIF	AUFKLEBER	ADHESIVO
8	S1-40124	ADESIVO	n°2	TAG	ADHESIF	AUFKLEBER	ADHESIVO
9	S1-40107	ADESIVO	n°2	TAG	ADHESIF	AUFKLEBER	ADHESIVO
10	M1-40120	ADESIVO	n°4	TAG	ADHESIF	AUFKLEBER	ADHESIVO
11	S1-40123	ADESIVO	n°2	TAG	ADHESIF	AUFKLEBER	ADHESIVO
12	S1-40113	ADESIVO	n°1	TAG	ADHESIF	AUFKLEBER	ADHESIVO
13	15.1736.00	ADESIVO DESTRO	n°1	RIGHT TAG	ADHESIF DROITE	AUFKLEBER RECHTS	ADHESIVO DERECHO
13	15.1737.00	ADESIVO SINISTRO	n°1	LEFT TAG	ADHESIF GAUCHE	AUFKLEBER LINKS	ADHESIVO IZQUIERDO
14	15.1739.00	ADESIVO	n°1	TAG	ADHESIF	AUFKLEBER	ADHESIVO
15	15.1738.00	ADESIVO	n°2	TAG	ADHESIF	AUFKLEBER	ADHESIVO



ISO 9001
BUREAU VERITAS
Certification



Certificate No: IT258975

This Company and its organization has been audited and found to be in accordance with the requirement of the standard ISO 9001:2008 for "Research, development and manufacturing of forage and cereal harvesting headers".



capello

Capello s.r.l. – Via Valle Po, 100 – 12100 Cuneo ITALY
Tel. +39 0171-413997 – Fax. +39 0171-413677
www.capelloworld.it
parts@capello.it