



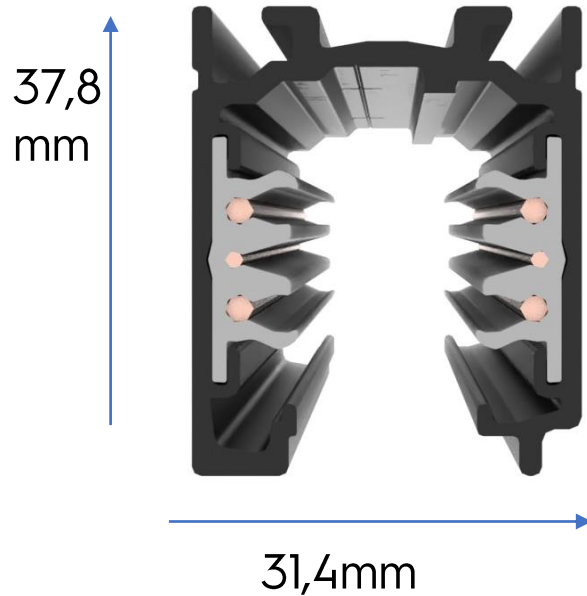
ONETRACK ADVANCE



ONE
TRACK
ADVANCE

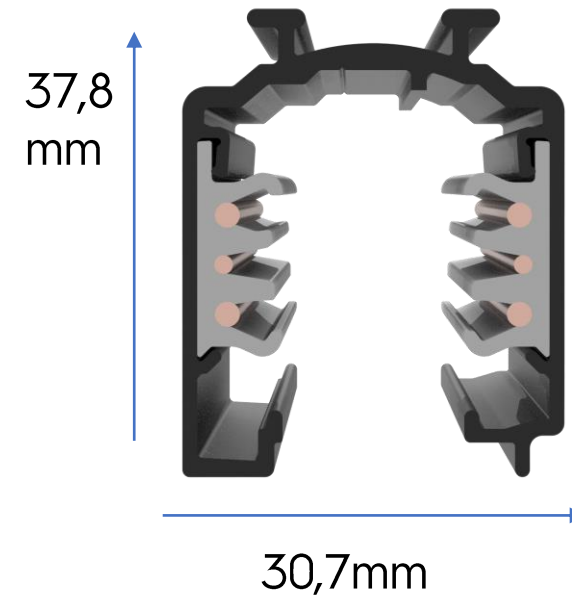
**A.A.G. Stucchi presents
ONETRACK ADVANCE
the evolution of ONETRACK range
towards SUSTAINABILITY.**

ONETRACK



9000-1/...-ST
9000-2/...-ST
9000-3/...-ST
9000-4/...-ST

NEW ONETRACK ADVANCE



9000A-1/...-ST
9000A-2/...-ST
9000A-3/...-ST
9000A-4/...-ST

...: available colours G (anodized grey), W (white RAL 9010), B (black RAL 9005)



ONE
TRACK
ADVANCE







**PECULIAR AND SUCCESSFULL
FEATURES OF ONETRACK RANGE
ARE MAINTAINED:**

- Only ONE track for your lighting ideas. (Only DALI track).
- FUTUREPROOF: the end user can update the lighting project with dynamic light systems at any time.
- Reduction of stock levels.

**EVOLVING INTO ITS NEW VERSION,
FOCUSING ON SUSTAINABILITY
COCEPT.**

NEW FEATURES

SUSTAINABLE AS GREEN, slim shape allows:

- Saving of raw materials  **-23%**
- Saving of energy  **-15%**  **-11%**  **-15%**
- Saving of CO₂  **-10,4%**  **-15%**



GREEN



SUSTAINABLE AS EFFICIENT:

- Optimizes production process and costs.
- Optimizes stock levels as it uses same adapters, connections and accessories of ONETRACK range.



EFFICIENT



SUSTAINABLE AS RESPONSIBLE:

Our pro-active response to the current market's needs.



RESPONSIBLE



SUSTAINABLE AS EASY:

Need to change only the track codes in your communication to make the switch easier.



EASY



FOLLOW YOUR ILLUMINATION

**THANK
YOU.**



A.A.G.
STUCCHI
Follow your illumination