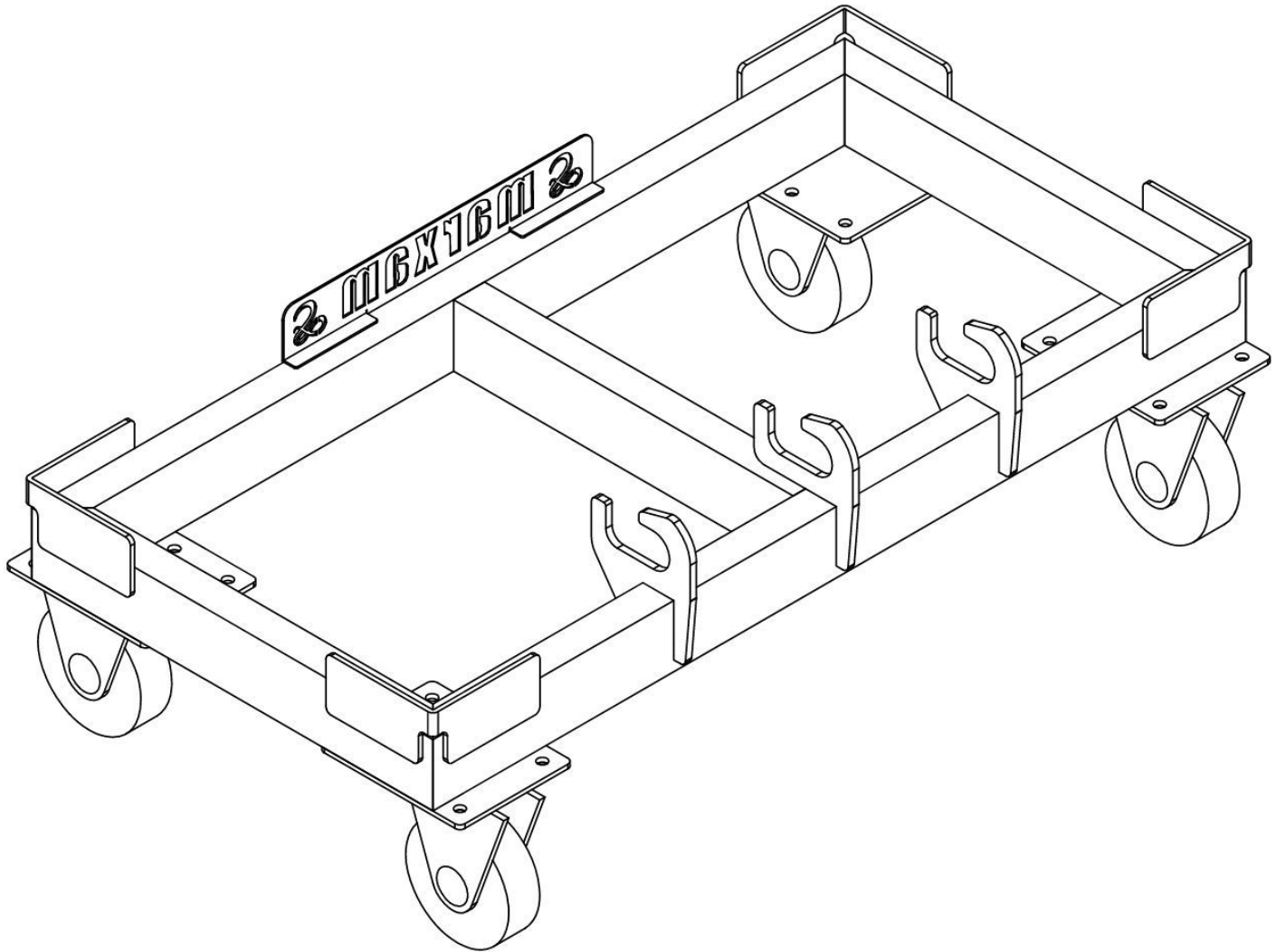


MB-ME_PDB-018-1
Mobile barrel holder for one barrel
500L (132 gallons) Galvanized

Producent: Marxam Project
www.marxam.eu



Weight: 14,0 kg (30,9 lbs)

Maximum capacity according to the table

WARNING

Maximum capacity of the mobile barrel holder depends on the chosen wheels. In the table there are shown variances to the capacity. The basic price refers to 600 kg (1322 lbs)

Maximum capacity of mobile barrel holder				
400 kg	640 kg	1 200 kg	1 600 kg	3 000 kg
∅ 100mm	∅ 160mm	∅ 200mm	∅ 100mm	∅ 200mm