



# JACKING BEAMS

## SG20-2



Spare Parts Tray with Rubber Mat



Easy for Frame Moving



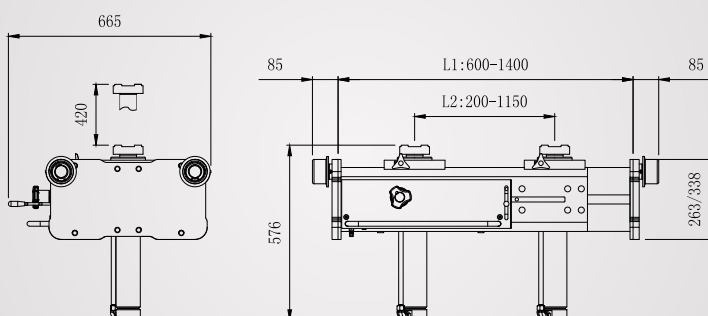
Pneumatic Power Set with Condensate Separator and Compressed Air Connections

Model	Capacity	Working Air Pressure	Stroke	Min Height	Max Height	Width L1	Lifting Points L2	Depth	Total Weight	L1 Option	L2 Option
SG20-2	20t	0.75-1.2Mpa	420mm	576mm	996mm	600-1400mm	200-1150mm	665mm	295kg	600-880mm	200-630mm
										840-1140mm	200-890mm
										1100-1400mm	200-1150mm

## Features

- Air hydraulic twin ram pit jack
- 2 individually controlled rams offer safe and balanced lifting.
- Slow down valve
- Self-return switch for safe working
- Rapid and precise air hydraulic unit with high speed ram travel
- Transversely sliding rams
- Frame height is adjusted and set to the customers individual specifications
- Can be made to fit all lifts due to its adjustable frame
- Comprehensive option range: cross beam, gearbox saddle, support bridge etc.
- Supplied with 2X100mm extensions.

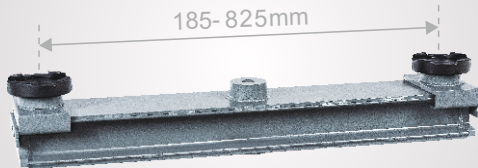
SG20-2





# OPTION FOR THE JACKING BEAM & PIT JACKS

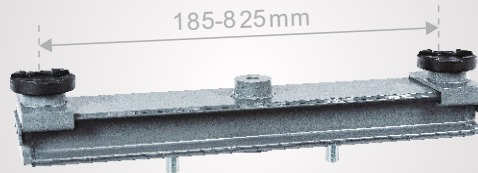
## A1-1



### Cross beam adaptor

Capacity: 20t  
 Offers increased safety-divides the load over 2 lifting points  
 Ideal for supporting axle, whilst allowing work to be done on the different gear  
 Increases min height by 97mm  
 Usable with various extensions and saddles: A5 A6 A7 A8  
 Fits: SG15-1

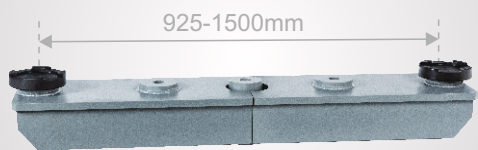
## A1-2



### Cross beam adaptor

Capacity: 20t  
 Offers increased safety-divides the load over 2 lifting points  
 Ideal for supporting axle, whilst allowing work to be done on the different gear  
 Increases min height by 147mm  
 Usable with various extensions and saddles: A5 A6 A7 A8  
 Fits: SJ20-2 SG20-2

## A2-1



### Cross beam adaptor

Capacity: 11-15t  
 Offers increased safety-divides the load over 2 lifting points  
 Ideal for supporting axle, whilst allowing work to be done on the different gear  
 Increases min height by 94mm  
 Usable with various extensions and saddles: A5 A6 A7 A8  
 Fits: SG15-1

## A2-2



### Cross beam adaptor

Capacity: 11-15t  
 Offers increased safety-divides the load over 2 lifting points  
 Ideal for supporting axle, whilst allowing work to be done on the different gear  
 Increases min height by 144mm  
 Usable with various extensions and saddles: A5 A6 A7 A8  
 Fits: SJ20-2 SG20-2

## Application Scenarios



## Application Scenarios







# OPTION FOR THE JACKING BEAM & PIT JACKS

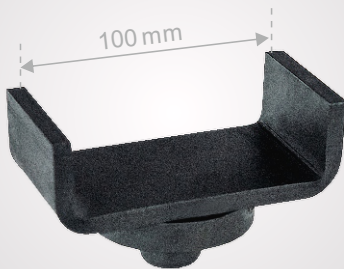
**A5**



**V-saddle**

Capacity:10t  
Suitable for lifting under various axles  
Fits:  
SG15-1 SJ15-1 SJ20-2 SG20-2

**A6**



**U-saddle**

Capacity:10t  
Suitable for lifting various chassis profiles  
Fits:  
SG15-1 SJ15-1 SJ20-2 SG20-2

**A7**



**Extension-A7**

Capacity:10t  
Height:100mm  
Increases the lifting height by 100mm  
Fits:  
SG15-1 SJ15-1 SJ20-2 SG20-2

**A8**



**Extension-A8**

Capacity:10t  
Height:200mm  
Increases the lifting height by 200mm  
Fits:  
SG15-1 SJ15-1 SJ20-2 SG20-2

**Application Scenarios**



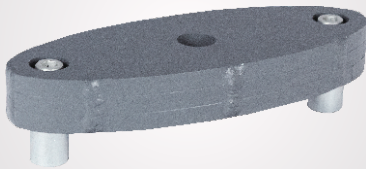
**Application Scenarios**





# OPTION FOR THE JACKING BEAM & PIT JACKS

**A4**



**Diff beam**

Capacity: 20t  
Allows use of both rams to lift at one point  
Fits:  
SJ20-2 SG20-2

**Application Scenarios**



**A9-1**



**Integrated safety stand**

Capacity: 20t  
Mechanical locking of the load prevents unintended lowering  
Adjustable in 10 positions  
Increases the minimum height of the pit jack by 45mm  
Fits:  
SG15-1

**Application Scenarios**



**A9-2**



**Integrated safety stand**

Capacity: 10t  
Mechanical locking of the load prevents unintended lowering  
Adjustable in 5 positions  
Increases the minimum height of the pit jack by 15mm  
Fits:  
SJ20-2

**Application Scenarios**



**A9-3**



**Integrated safety stand**

Capacity: 10t  
Mechanical locking of the load prevents unintended lowering  
Adjustable in 10 positions  
Increases the minimum height of the pit jack by 15mm  
Fits:  
SG20-2