

## Wide range of loadability:

suitable for every type of vehicle

## Quick to use:

pad built into the arm that reduces the number of operations necessary for lifting the vehicle


## Flexible installation:

simple and fast installation with minimum interventions, even when there are grids

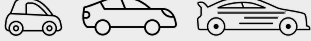
Scissor lift ideal for installation in both paint booth grids and preparation areas, and flush-mounted for traditional floors.

Its **ergonomic design** allows you to easily reach the pick-up points of the vehicles, **eliminating all obstacles surrounding the vehicle**, in this way making every operation on the chassis easier.

Capacity up to


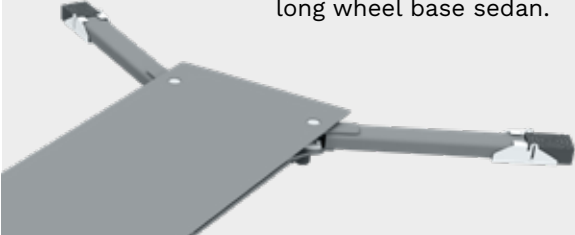


**3**



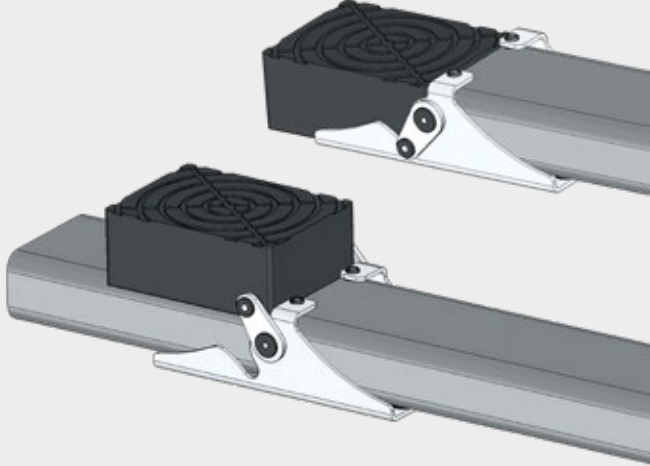
**The geometry of the arms**

was designed for lifting the entire fleet of cars on the road, from microcars to long wheel base sedan.



**Pad always on.**

The arms have a built-in pad so they can always remain on the lift, even in the rest position. The lift is ready-to-use without requiring the operator to perform any other work.



The lift can be installed without any additional shim in grids

**270 to 370 mm** deep.

Changing the standard intake grille is unnecessary. All you have to do is remove the grids for a

**2000 x 700 mm** surface area.



**Compatible with system**

**TEq-Link**  
connected workshop

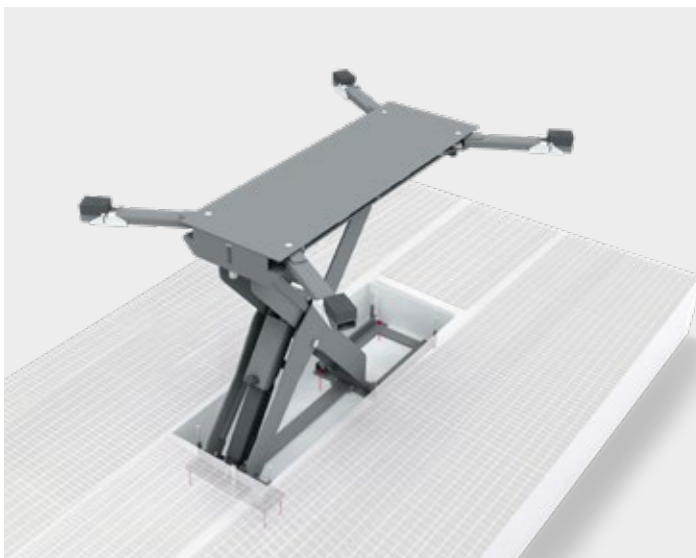


**INTERNET CONNECTION**  
Sending results to the customers.  
Remote assistance.



## Configurations available.

A wide range of configurations is available to satisfy all types of work cycle in the body shop.



## Pneumo-hydraulic with manual arms.

Minimal and compact solution operational without voltage. Also suitable for installation in paint booths.

Item no.	Capacity
RAV.KBI30.199782	3 t

## Electro-hydraulic with manual arms.

Hydraulic propulsion makes lifting fast without the “shaking” effect. Extremely less lifting time compared to the pneumo-hydraulic version.



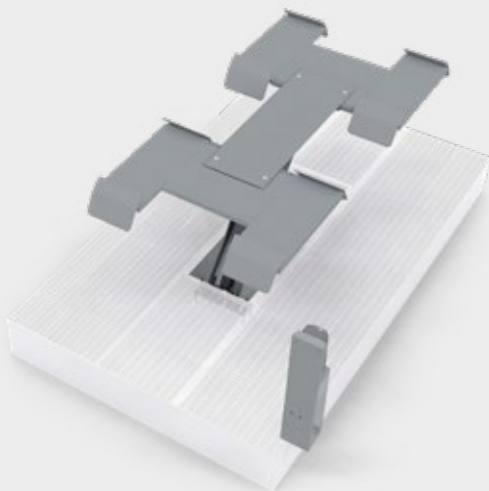
Item no.	Capacity
RAV.KBI30.199812	3 t

## Electro-hydraulic with pneumatic operated arms.

All arms are pneumatically driven when opening and closing to provide faster speed and enhanced ergonomics for use, eliminating the extraction stage and the operator's manual repositioning of the arms.



Item no.	Capacity	TEq-Link
RAV.KBI30.199850	3 t	-
RAV.KBI30.199973	3 t	✓



## Electro-hydraulic with wheel-lifting platforms.

The vehicle is parked directly on the platforms without having to worry about positioning the pads next to the pick-up points of the vehicle.

Item no.	Capacity
RAV.KBI28.199942	2.8 t

## ATEX with pneumatic operated arms.

There are no live components in the work area with the anti-explosion configuration meeting Directive 2014/34/EU. Ideal also for being used inside paint booths. The compact electrical panel is directly installed in the workstation.



**ATEX** = **AT**mosphère **EX**plosible

Item no.	Capacity	TEq-Link
RAV.KBI30.199904	3 t	-
RAV.KBI30.199997	3 t	✓



**Maximum ergonomics**  
for all types of cars.



**Elevated lifting height**  
for working standing straight.

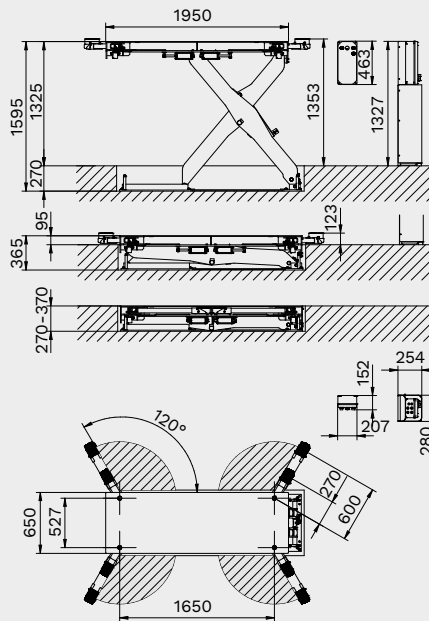


**The safety of the operations** is guaranteed by the automatic arm locking system and the mechanical safety on the cylinder. (Patent pending)

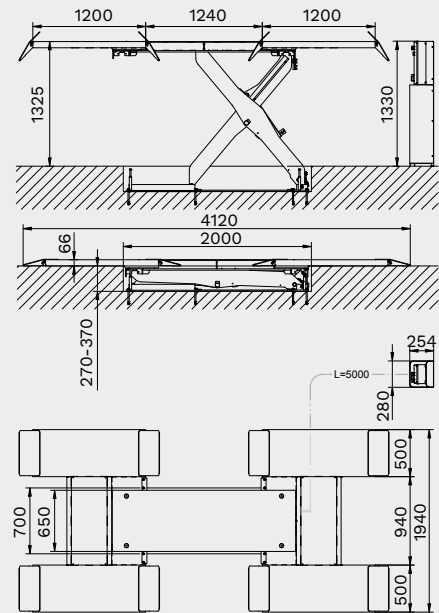


# Technical Data

**Model**  
 RAV.KBI30.199782 - RAV.KBI30.199812 -  
 RAV.KBI30.199850 - RAV.KBI30.199904 -  
 RAV.KBI30.199973 - RAV.KBI30.199997



**Model**  
 RAV.KBI28.199942



	RAV.KBI30.199782	RAV.KBI30.199812	RAV.KBI30.199850	RAV.KBI30.199973	RAV.KBI28.199942	RAV.KBI30.199904	RAV.KBI30.199997
<b>Mode of drive</b>	pneumo-hydraulic	electro-hydraulic	electro-hydraulic	electro-hydraulic	electro-hydraulic	ATEX	ATEX
<b>Type of installation</b>	flush-mounted	flush-mounted	flush-mounted	flush-mounted	flush-mounted	flush-mounted	flush-mounted
<b>Capacity</b>	3000 kg	3000 kg	3000 kg	3000 kg	2800 kg	3000 kg	3000 kg
<b>Max. lifting height</b>	1623 mm	1623 mm	1623 mm	1623 mm	1325 mm	1623 mm	1623 mm
<b>Max. lifting height at floor level</b>	1353 mm	1353 mm	1353 mm	1353 mm	1325 mm	1353 mm	1353 mm
<b>Lifting time</b>	150 s	40 s	40 s	40 s	40 s	40 s	40 s
<b>Lowering time</b>	90 s	35 s	35 s	35 s	35 s	35 s	35 s
<b>Surface coating</b>	powder coated						
<b>Length of platforms</b>	1950 mm	1950 mm	1950 mm	1950 mm	1950 mm	1950 mm	1950 mm
<b>Width of platforms</b>	650 mm	650 mm	650 mm	650 mm	650 mm	650 mm	650 mm
<b>Air flow</b>	7-8 bar	7-8 bar	7-8 bar	7-8 bar	7-8 bar	7-8 bar	7-8 bar
<b>Max. air flow</b>	8 bar	8 bar	8 bar	8 bar	8 bar	8 bar	8 bar
<b>Length</b>	1950 mm	1950 mm	1950 mm	1950 mm	4120 mm	1950 mm	1950 mm
<b>Width</b>	650 mm	650 mm	650 mm	650 mm	1940 mm	650 mm	650 mm
<b>Installation depth</b>	270-370 mm	270-370 mm	270-370 mm	270-370 mm	270-370 mm	270-370 mm	270-370 mm
<b>Arm layout</b>	manual	manual	pneumatic operated	pneumatic operated	wheel-lifting platforms	pneumatic operated	pneumatic operated
<b>TEq-Link</b>	not possible	not possible	not possible	standard	not possible	not possible	standard



# Accessories



## Wheel-lifting platforms

Platforms for speeding up loading of the vehicle on the lift.  
On the contrary, the lifting time is longer to guarantee the stability of the car.



### Wheel-lifting platforms

It can be installed on the entire range as retrofitting



### Front/back base connection template


Necessary for lift installation  
VSG.KBIAC.900128




**Anwa-Tech sp. z o.o.**

Dystrybucja w Polsce

3 Maja 89  
05-071 Sulejówek


 +48 22 783 41 61

 [sls@anwa-tech.pl](mailto:sls@anwa-tech.pl)

---

DRD41U (03)

Technical data and composition presented in this catalogue may vary.  
Pictures reproduced are only indicative.

Member of VSG - Vehicle Service Group  
a  company

