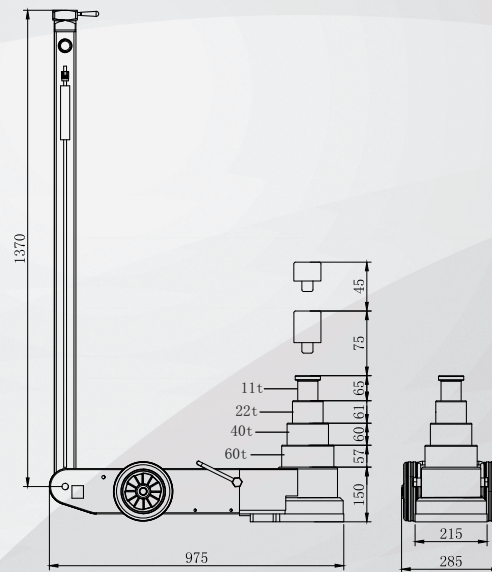
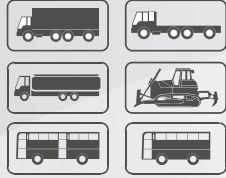


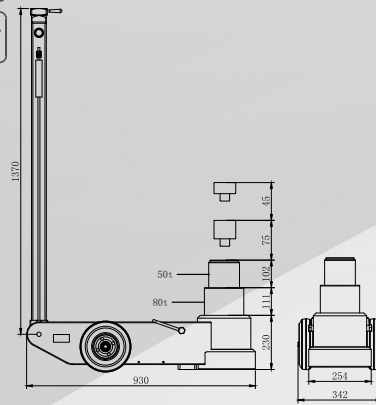
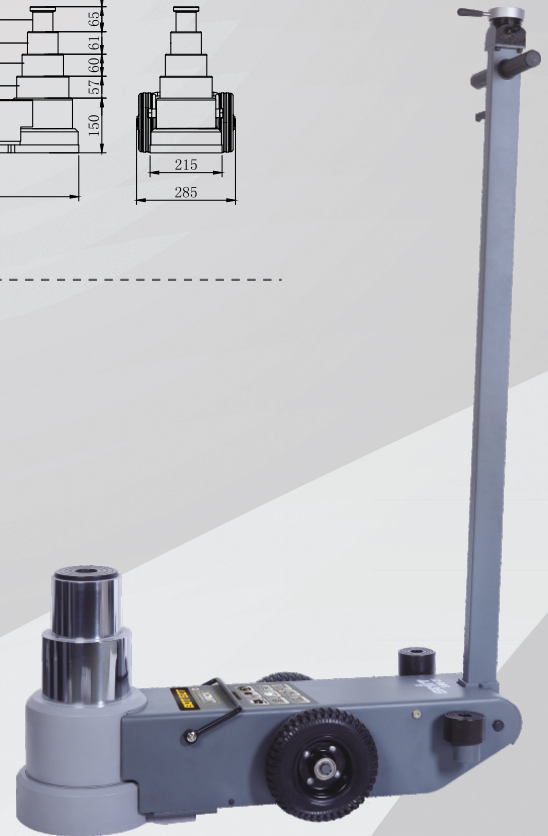


PNEUMATIC HYDRAULIC JACK

S60-4J



S80-2J



Model	Capacity	Net Weight	Packing Size	Working Air Pressure	Min Height	Max Height	Lifting Height	Extension Height
S60-4J	60t/40t 22t/11t	62kgs	100x32x24cm	0.9 ~1.2Mpa	150mm	513mm	60t:57mm 40t:60mm 22t:61mm 11t:65mm	75mm+45mm
S80-2J	80t/50t	105kgs	96x39x25cm	0.9 ~1.2Mpa	230mm	563mm	80t:111mm 50t:102mm	75mm+45mm

Features

- Slow down valve
- Imported sealing from USA
- Hard chrome plated both internal & external cylinder
- XTP industry sealing(double sealing function)
- Safety overload valve
- Self-return switch for safe working
- Oil anti-back system