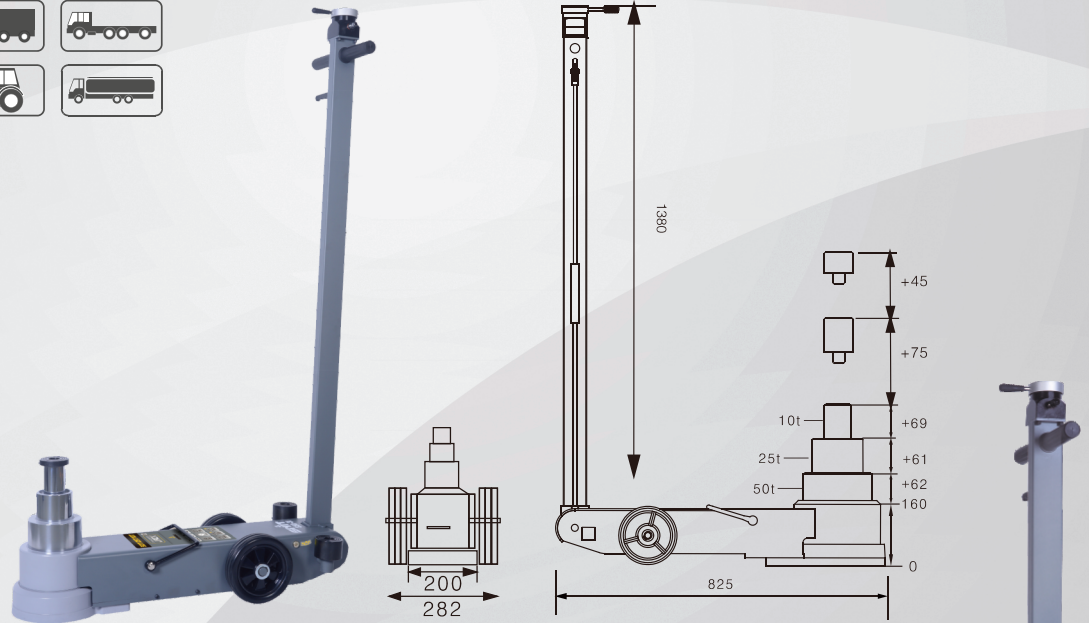


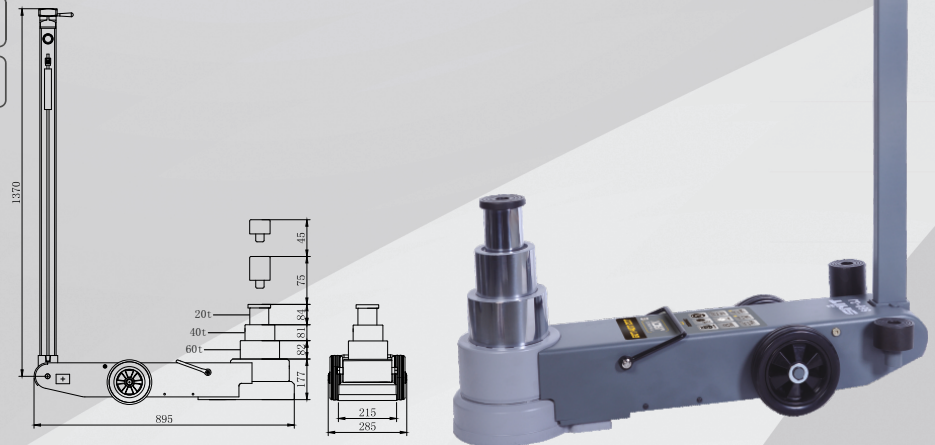
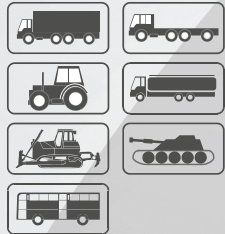


PNEUMATIC HYDRAULIC JACK

S50-3J



S60-3J



| Model | Capacity | Net Weight | Packing Size | Working Air Pressure | Min Height | Max Height | Lifting Height | Extension Height |
|--------|-------------|------------|--------------|----------------------|------------|------------|----------------------------------|------------------|
| S50-3J | 50t/25t/10t | 61kgs | 92x31x27cm | 0.9 ~1.2Mpa | 160mm | 472mm | 50t:62mm 25t:61mm 10t:69mm | 75mm+45mm |
| S60-3J | 60t/40t/20t | 70kgs | 92x31x27cm | 0.9 ~1.2Mpa | 177mm | 544mm | 60t:82mm 40t:81mm 20t:84mm | 75mm+45mm |

Features

- Slow down valve
- Imported sealing from USA
- Hard chrome plated both internal & external cylinder
- XTP industry sealing(double sealing function)
- Safety overload valve
- Self-return switch for safe working
- Oil anti-back system