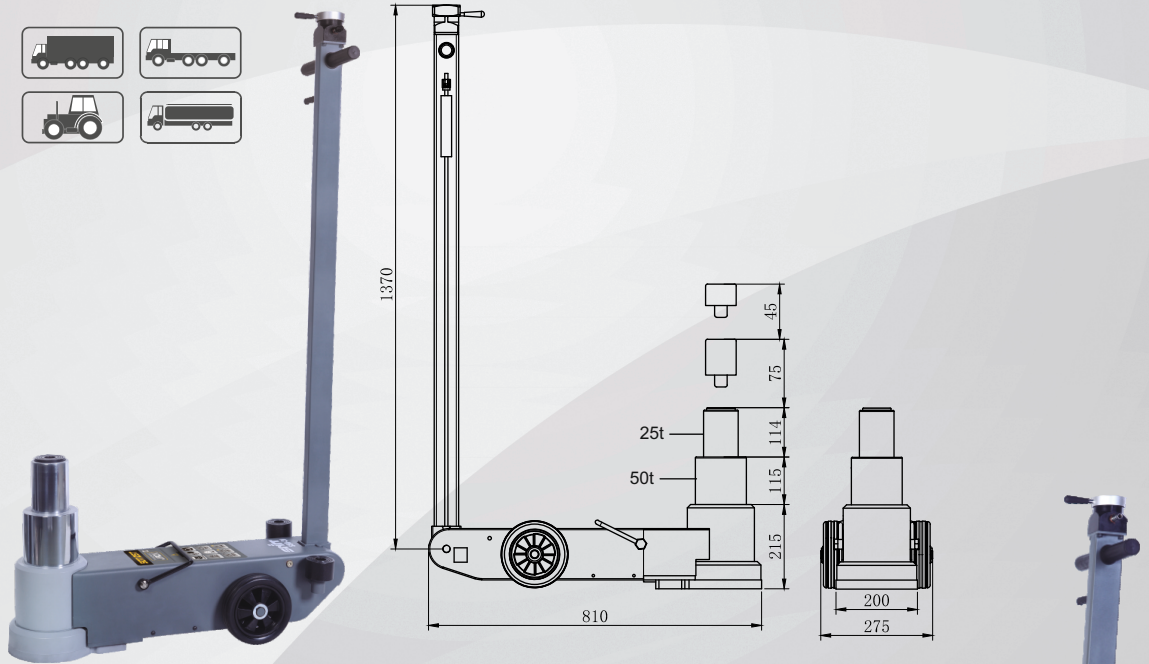


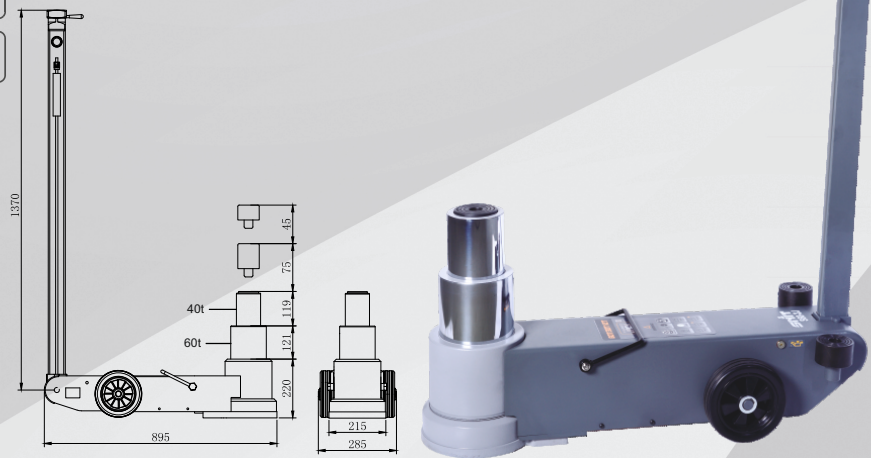
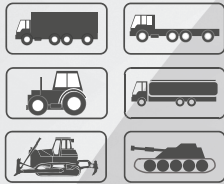


# PNEUMATIC HYDRAULIC JACK

## S50-2J



## S60-2J



Model	Capacity	Net Weight	Packing Size	Working Air Pressure	Min Height	Max Height	Lifting Height	Extension Height
S50-2J	50t/25t	67kgs	84x29x29cm	0.9 ~1.2Mpa	215mm	564mm	50t:115mm 25t:114mm	75mm+45mm
S60-2J	60t/40t	82kgs	92x31x27cm	0.9 ~1.2Mpa	220mm	580mm	60t:121mm 40t:119mm	75mm+45mm

## Features

- Slow down valve
- Imported sealing from USA
- Hard chrome plated both internal & external cylinder
- XTP industry sealing(double sealing function)
- Safety overload valve
- Self-return switch for safe working
- Oil anti-back system