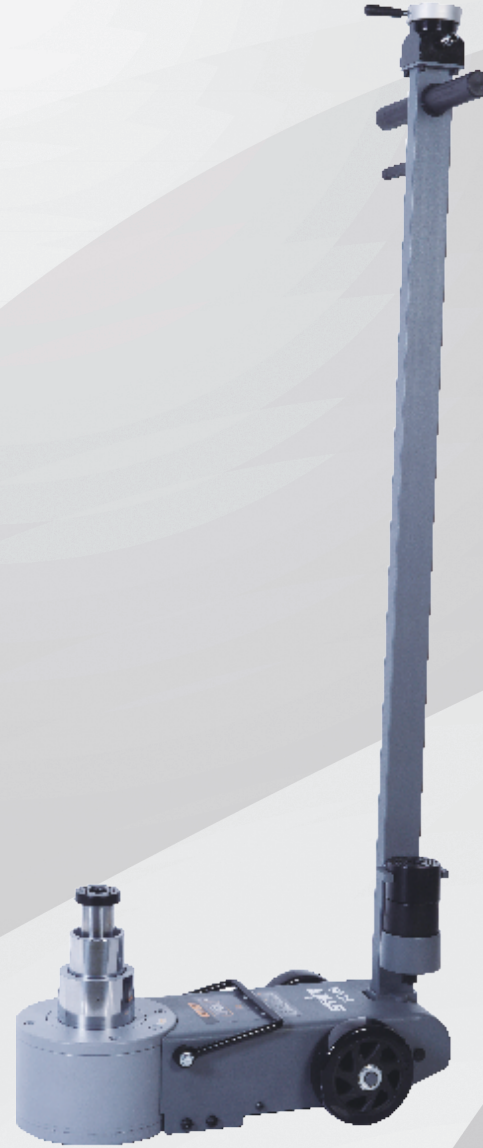
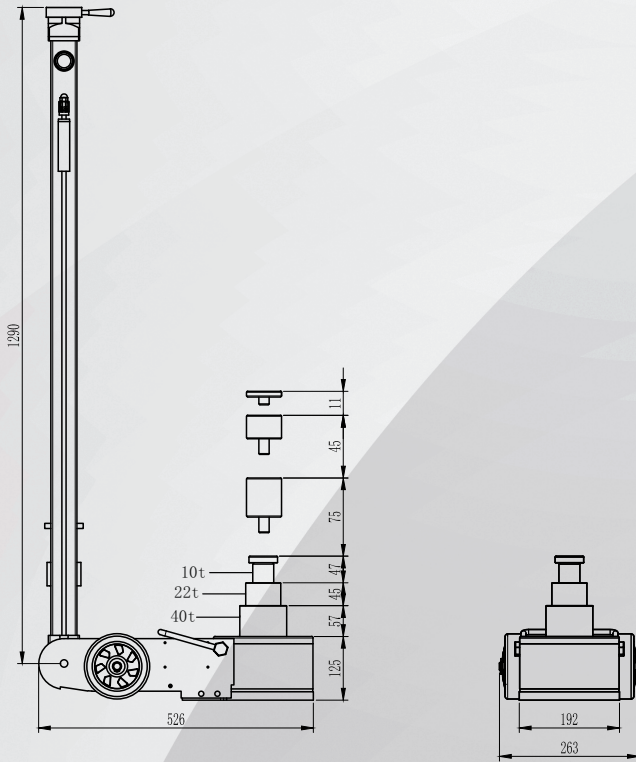




PNEUMATIC HYDRAULIC JACK

S40-3EL



Model	Capacity	Net Weight	Packing Size	Working Air Pressure	Min Height	Max Height	Lifting Height	Extension Height
S40-3EL	40t/22t/10t	34kgs	50X28X21cm	0.9 ~1.2Mpa	125mm	405mm	40t:57mm 22t:45mm 10t:47mm	75mm+45mm+11mm

Features

- Slow down valve
- Imported sealing from USA
- Hard chrome plated both internal & external cylinder
- XTP industry sealing(double sealing function)
- Safety overload valve
- Self-return switch for safe working
- Oil anti-back system