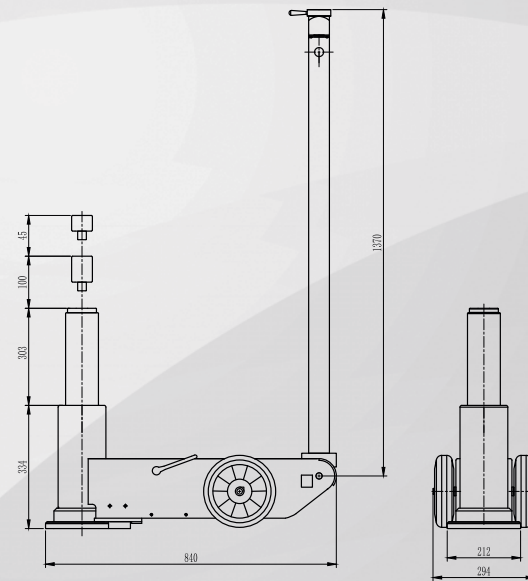
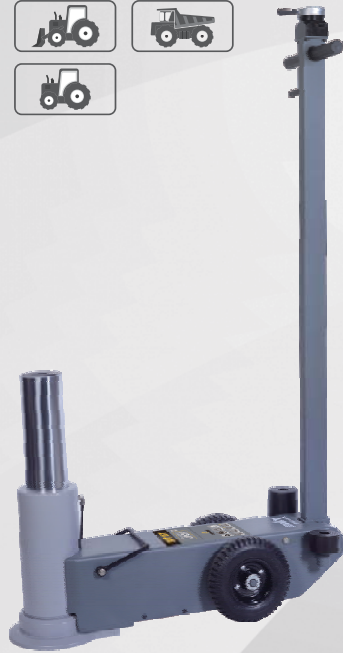


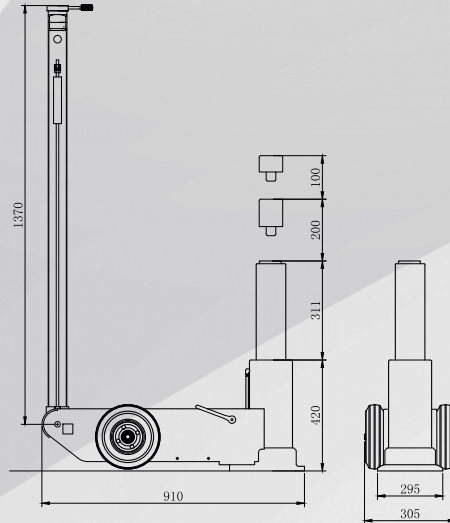


PNEUMATIC HYDRAULIC JACK

S30-1H



S60-1H



Model	Capacity	Net Weight	Packing Size	Working Air Pressure	Min Height	Max Height	Lifting Height	Extension Height
S30-1H	30t	86kgs	90x34x45cm	0.9 ~1.2Mpa	334mm	782mm	303mm	100mm+45mm
S60-1H	60t	126kgs	93x38x54cm	0.9 ~1.2Mpa	420mm	1031mm	311mm	200mm+100mm

Features

- Slow down valve
- Imported sealing from USA
- Hard chrome plated both internal & external cylinder
- XTP industry sealing(double sealing function)
- Safety overload valve
- Self-return switch for safe working
- Oil anti-back system