

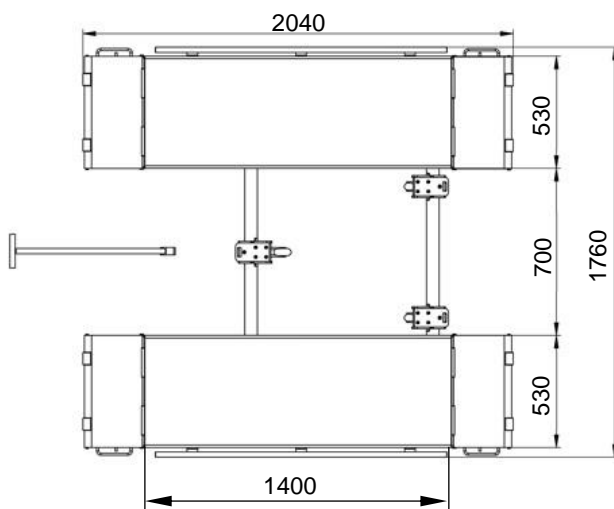
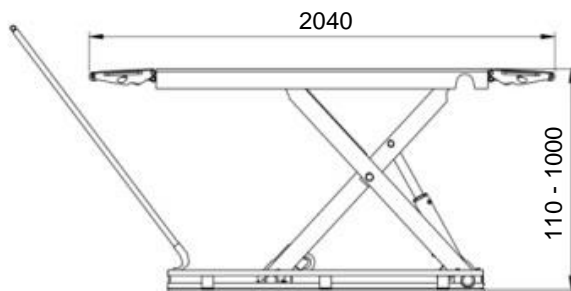
Mobile scissor lift ML35D

kg 3500

Features:

- low profile design
- double cylinders with synchronization
- automatic electro-mechanical security system
- mobile control panel
- electro-magnetic lock release system
- transport set ensuring mobility of the lift

The **PROGEAR ML35D** lift is a mobile low-rise scissor lift, designed for vehicle mechanics and tire services. It's extremely compact design and the transport set (wheels and trolley) make this lift ideal for workshops with limited working space.



Technical details:

Power supply	230 V ; 50 Hz; 1 Ph
Motor power	2,2 kW
Max lifting capacity	3500 kg
Lifting time	30 s
Max lifting height	1000 mm
Min height	110 mm
Total length (with ramps unfolded)	2040 mm
Overall width	1760 mm
Distance between platforms	700 mm
Weight	600 kg
Packing sizes:	
• Lift	1820x1570x200 mm
• Control unit	1190x480x470 mm