



PRESSES

PJ16H / PJ20H



Capacity: 16 / 20 t
Stroke: 150 mm

Hand hydraulic junior presses for passenger car workshops and light industry

Foot-operated pneumatically controlled high speed and precise ram approach to work piece

Traversing ram

Built-in pressure gauge at convenient eye level

Built-in safety overload valve

Welded frame and press table made from high strength steel for long life

Removable ram end cap for mounting of various piston heads

Supplied with 2 vee blocks



PJ25H



Capacity: 25 t
Stroke: 150 mm

Hand hydraulic junior press for passenger car workshops and light industry

Foot-operated pneumatically controlled high speed and precise ram approach to work piece

Traversing ram

Built-in pressure gauge at convenient eye level

Built-in safety overload valve

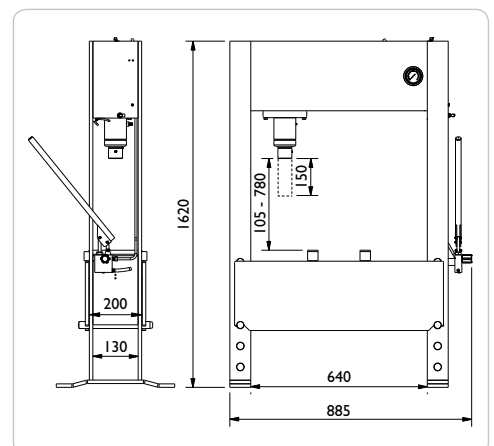
Welded frame and press table made from high strength steel for long life

Removable ram end cap for mounting of various piston heads

Supplied with 2 vee blocks



	PJ16H	PJ20H	PJ25H
Capacity	16 t	20 t	25 t
Stroke	150 mm	150 mm	150 mm
Height	1620 mm	1620 mm	1620 mm
Width	885 mm	885 mm	885 mm
Width between legs	640 mm	640 mm	640 mm
Depth between legs	130 mm	130 mm	130 mm
Clearance	105 - 780 mm	105 - 780 mm	105 - 780 mm
Weight	130 kg	130 kg	135 kg





PRESSES

P40H



Capacity: 40 t
Stroke: 300 mm

Hand hydraulic press for truck workshops and industry

Foot-operated double-acting pneumatically controlled high speed leaving both hands free for quick and precise positioning of item

Traversing ram

With 300 mm stroke for dealing with demanding jobs

Built-in pressure gauge at convenient eye level

Wide, welded frame and press table ensuring high flexibility

Winch operated press table

Built-in safety overload valve

Removable ram end cap for mounting of various piston heads

Supplied with 2 vee blocks



P40EHI



Capacity: 40 t
Stroke: 300 mm

Electro-hydraulic press for truck workshops and industry

Electro-hydraulic single stage pump (Press speed: 6,1 mm/sec)

The pressure can be set to any required tonnage up to 40 t

Traversing double-acting ram

Long stroke of 300 mm

Built-in pressure gauge at convenient eye level

Wide, welded frame and press table

Winch operated press table

Built-in safety overload valve

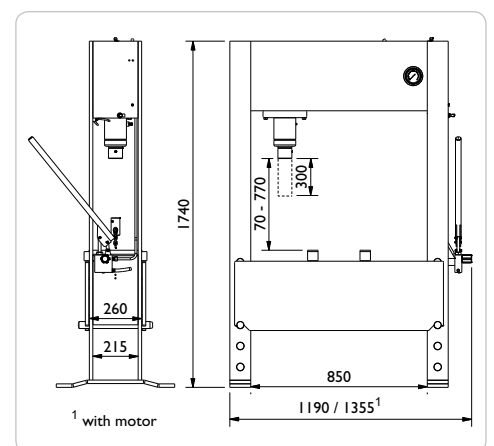
Removable ram end cap for mounting of various piston heads

The motor is 3x400V and 50/60 Hz (can be switched for 3x230V)

Supplied with 2 vee blocks



	P40H	P40EHI
Capacity	40 t	40 t
Stroke	300 mm	300 mm
Height	1740 mm	1740 mm
Width	1190 mm	1355 mm ¹
Width between legs	850 mm	850 mm
Depth between legs	215 mm	215 mm
Clearance	70 - 770 mm	70 - 770 mm
Press speed		6,1 mm/s
Return speed		7,9 mm/s
Weight	425 kg	445 kg





PRESSES

P60H



Capacity: 60 t
Stroke: 300 mm

Hand hydraulic press for truck workshops and heavy industry

Foot-operated double-acting pneumatically controlled high speed leaving both hands free for quick and precise positioning of item

Traversing ram

With 300 mm stroke for dealing with demanding jobs

Built-in pressure gauge at convenient eye level

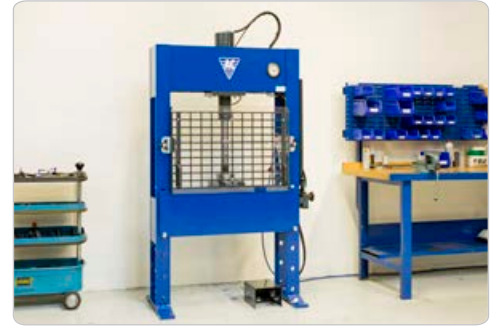
Wide, welded frame and press table ensuring high flexibility

Winch operated press table

Built-in safety overload valve

Removable ram end cap for mounting of various piston heads

Supplied with 2 vee blocks



P60EH1 / P60EH2



Capacity: 60 t
Stroke: 300 mm

Electro-hydraulic press for truck workshops and heavy industry

P60EH1: Single stage pump
Press speed: 4,2 mm/sec

P60EH2: 2-stage pump
Press speed: 10,0 mm/sec

The pressure can be set to any required tonnage up to 60 t

Traversing double-acting ram with long stroke of 300 mm

Built-in pressure gauge at convenient eye level

Winch operated press table

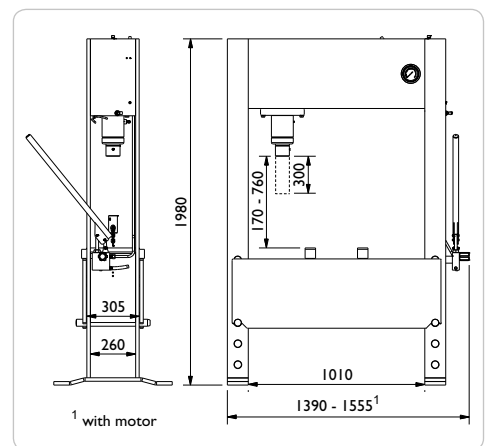
Removable ram end cap for mounting of various piston heads

The motor is 3x400V and 50/60 Hz (can be switched for 3x230V)

Supplied with 2 vee blocks



	P60H	P60EH1	P60EH2
Capacity	60 t	60 t	60 t
Stroke	300 mm	300 mm	300 mm
Height	1980 mm	1980 mm	1980 mm
Width	1390 mm	1555 mm ¹	1555 mm ¹
Width between legs	1010 mm	1010 mm	1010 mm
Depth between legs	260 mm	260 mm	260 mm
Clearance	170 - 760 mm	170 - 760 mm	170 - 760 mm
Press speed		4,2 mm/s	10,0 mm/s
Return speed		5,9 mm/s	14,5 mm/s
Weight	625 kg	630 kg	635 kg





PRESSES

PI00H



Capacity: 100 t
Stroke: 300 mm

Hand hydraulic press for truck workshops and heavy industry

Foot-operated double-acting pneumatically controlled high speed leaving both hands free for quick and precise positioning of item

Traversing ram

With 300 mm stroke for dealing with demanding jobs

Built-in pressure gauge at convenient eye level

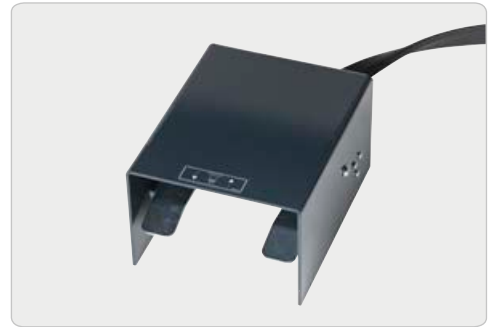
Wide, welded frame and press table ensuring high flexibility

Winch operated press table

Built-in safety overload valve

Removable ram end cap for mounting of various piston heads

Supplied with 2 vee blocks



PI00EH2



Capacity: 100 t
Stroke: 300 mm

Electro-hydraulic press for truck workshops and heavy industry

Electro-hydraulic 2-stage pump (Press speed: 6,2 mm/sec)

Traversing double-acting ram with long stroke of 300 mm

The pressure can be set to any required tonnage up to 100 t

Built-in pressure gauge at convenient eye level

Wide, welded frame and press table ensuring high flexibility

Winch operated press table

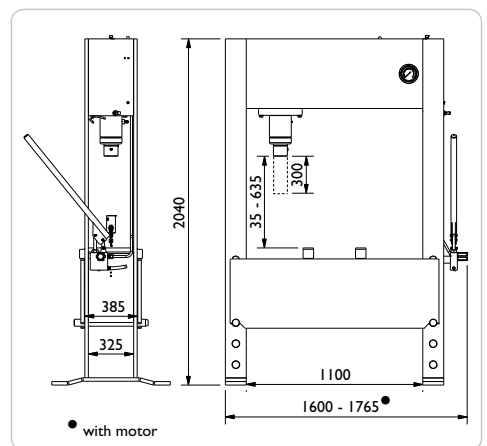
Removable ram end cap for mounting of various piston heads

The motor is 3x400V and 50/60 Hz (can be switched for 3x230V)

Supplied with 2 vee blocks



	PI00H	PI00EH2
Capacity	100 t	100 t
Stroke	300 mm	300 mm
Height	2040 mm	2040 mm
Width	1600 mm	1765 mm*
Width between legs	1100 mm	1100 mm
Depth between legs	325 mm	325 mm
Clearance	35 - 635 mm	35 - 635 mm
Press speed		6,2 mm/sec
Return speed		8,3 mm/sec
Weight	1200 kg	1215 kg





OPTION – PRESSES

PJW



Winch

Efficient and easy adjustment of press table

Fits:
PJ16H
PJ20H
PJ25H



PJS



Set of press tools

Press plate with 3 piston heads (Ø 12, 20, 30 mm and adaptor)

Fits:
PJ16H
PJ20H
PJ25H



PS



Set of press tools

Press plate with set of piston heads (Ø 10, 12, 15, 17, 20, 22, 25, 30 mm, adaptor and rack)

Fits:
P40H / P40EH1
P60H / P60EH1 / P60EH2
P100H / P100EH2



PS25 / PS40 / PS60 / PS100



Protection screen

Maximum operator safety

Steel mesh with shatterproof plexiglass

Protection screen with extreme high breakage point

Model Fits:
PS25 PJ16H, PJ20H, PJ25H
PS40 P40H, P40EH1
PS60 P60H, P60EH1, P60EH2
PS100 P100H, P100EH2

