



# TROLLEY JACK

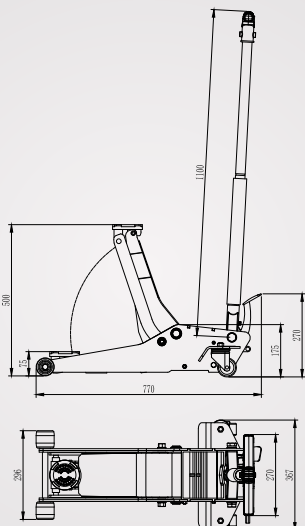
## PREMIUM SERIES

### S-2TP



| Model | Capacity | Min Height | Max Height | Weight  | Packing Size   |
|-------|----------|------------|------------|---------|----------------|
| S-2TP | 2000kgs  | 75mm       | 500mm      | 40.4kgs | 86.4X40.4X23cm |

S-2TP



## Features

- Hold to run(self-return handle)
- Nylon wheels
- Designed handle
- Double pumps.
- Lowering control system
- Dead-man Principle
- Safety locking system
- Designed spare parts tray
- Foot pedal with rubber pad for fast lifting
- Sand blasting and wrinkle painting
- Hard chrome plated rod and special sealing construction of pump