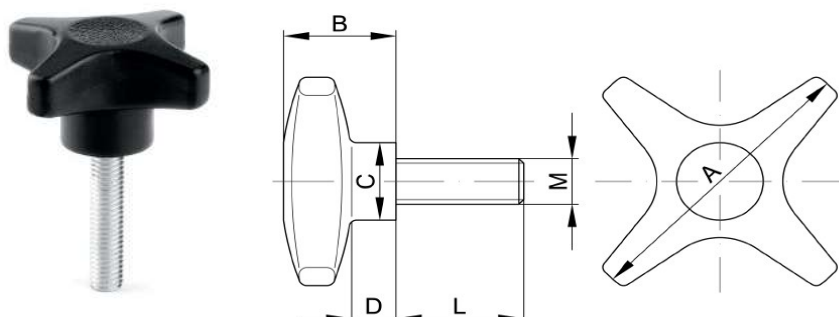


# Grupa HSS

## Pokrętła krzyżowe

ze stalowym trzpieniem gwintowanym



**Materiał: PA, stal**

**Kolory standardowe: czarny**

Numer katalog.	Średnica gabarytowa	Wysokość uchwytu	Średnica powierzchni dociskowej	D [mm]	Gwint
	A [mm]	B [mm]	C [mm]		
76744001	40	22,0	16,0	9,0	M5 x 10
76744001	40	22,0	16,0	9,0	M5 x 15
76744001	40	22,0	16,0	9,0	M5 x 20
76744001	40	22,0	16,0	9,0	M5 x 25
76744001	40	22,0	16,0	9,0	M5 x 30
76744001	40	22,0	16,0	9,0	M6 x 10
76744001	40	22,0	16,0	9,0	M6 x 15
76744001	40	22,0	16,0	9,0	M6 x 20
76744001	40	22,0	16,0	9,0	M6 x 25
76744001	40	22,0	16,0	9,0	M6 x 30
76744001	40	22,0	16,0	9,0	M6 x 35
76744001	40	22,0	16,0	9,0	M6 x 40
76744001	40	22,0	16,0	9,0	M8 x 15
76744001	40	22,0	16,0	9,0	M8 x 20
76744001	40	22,0	16,0	9,0	M8 x 25
76744001	40	22,0	16,0	9,0	M8 x 30
76744001	40	22,0	16,0	9,0	M8 x 35
76744001	40	22,0	16,0	9,0	M8 x 40
76746001	60	22,0	17,0	9,0	M5 x 15
76746001	60	22,0	17,0	9,0	M6 x 10
76746001	60	22,0	17,0	9,0	M6 x 15

Średnica

Numer katalog.	Średnica gabarytowa	Wysokość uchwytu	powierzchni dociskowej	D [mm]	Gwint
	A [mm]	B [mm]	C [mm]		
<b>76746001</b>	60	22,0	17,0	9,0	M6 x 20
<b>76746001</b>	60	22,0	17,0	9,0	M6 x 25
<b>76746001</b>	60	22,0	17,0	9,0	M6 x 30
<b>76746001</b>	60	22,0	17,0	9,0	M6 x 35
<b>76746001</b>	60	22,0	17,0	9,0	M6 x 40
<b>76746001</b>	60	22,0	17,0	9,0	M8 x 15
<b>76746001</b>	60	22,0	17,0	9,0	M8 x 20
<b>76746001</b>	60	22,0	17,0	9,0	M8 x 25
<b>76746001</b>	60	22,0	17,0	9,0	M8 x 30
<b>76746001</b>	60	22,0	17,0	9,0	M8 x 35
<b>76746001</b>	60	22,0	17,0	9,0	M8 x 40
<b>76746001</b>	60	22,0	17,0	9,0	M10 x 15
<b>76746001</b>	60	22,0	17,0	9,0	M10 x 20
<b>76746001</b>	60	22,0	17,0	9,0	M10 x 25
<b>76746001</b>	60	22,0	17,0	9,0	M10 x 30
<b>76746001</b>	60	22,0	17,0	9,0	M10 x 35
<b>76746001</b>	60	22,0	17,0	9,0	M10 x 40