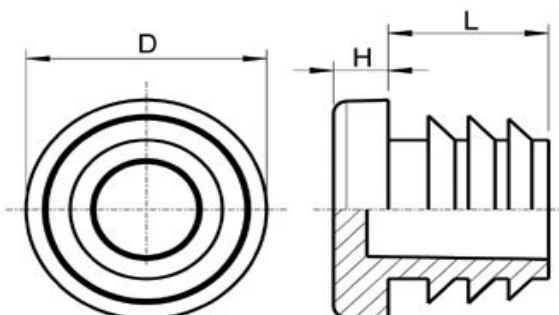


Grupa GL

Zaślepki

do okrągłych rur, wsuwane, płaskie



Materiał: PE

Kolory standardowe: czarny, biały, szary

Uwaga:

wyroby z tej grupy można zamówić z filcem "przyspawanym" metodą ultradźwiękową, informacja o cenie sprzedaży tak zmodyfikowanego wyrobu oraz o czasie dostawy jest udzielana na zapytanie.

| Numer katalogowy | Średn. zewn. rury [mm] | Niestandard. | | D [mm] | Średn. lameli [mm] | H [mm] | L [mm] |
|------------------|--------------------------|-------------------------------------|--|--------|----------------------|--------|--------|
| | | zakres grubości ścianki rury [mm] | | | | | |
| 6000010 | 10 | | | 10,0 | 8,3 | 4,0 | 6,0 |
| 6000012 | 12 | 1,0 - 1,5 | | 12,0 | 11,5 | 4,0 | 10,0 |
| 6000013 | 13 | | | 13,0 | 11,5 | 4,0 | 10,0 |
| 6000014 | 14 | | | 14,0 | 13,0 | 4,0 | 9,3 |
| 6000015 | 15 | | | 15,0 | 13,2 | 4,0 | 9,6 |
| 6000016 | 16 | | | 16,0 | 14,1 | 4,0 | 10,0 |
| 6000018 | 18 | | | 18,0 | 16,8 | 4,1 | 12,0 |
| 6000019 | 19 | | | 19,0 | 17,8 | 4,1 | 11,0 |
| 6000020 | 20 | | | 20,0 | 19,0 | 4,0 | 12,0 |
| 6000022 | 22 | | | 22,0 | 20,6 | 4,0 | 11,8 |
| 6000025 | 25 | | | 25,0 | 23,5 | 5,0 | 11,8 |
| 6030025 | 25 | 3,0 | | 25,0 | 21,0 | 5,0 | 11,8 |
| 6000027 | 27 | | | 27,0 | 27,0 | 5,0 | 13,8 |
| 6000028 | 28 | | | 28,0 | 27,0 | 5,0 | 14,0 |
| 6000030 | 30 | | | 30,0 | 29,0 | 5,0 | 14,0 |
| 6030030 | 30 | 3,0 | | 30,0 | 26,5 | 5,0 | 14,0 |
| 6000032 | 32 | | | 32,0 | 30,5 | 5,0 | 14,5 |

Niestandard.

| Numer katalogowy | Średn. zewn. rury [mm] | zakres grubości ścianki rury [mm] | D [mm] | Średn. lameli [mm] | H [mm] | L [mm] |
|------------------|--------------------------|-------------------------------------|--------|----------------------|--------|--------|
| 6030032 | 32 | 3,0 | 32,0 | 28,8 | 5,0 | 14,0 |
| 6000034 | 34 | | 34,0 | 31,3 | 5,5 | 14,5 |
| 6000035 | 35 | | 35,0 | 34,4 | 5,0 | 14,3 |
| 6000036 | 36 | | 36,0 | 34,3 | 5,0 | 13,8 |
| 6000038 | 38 | | 38,0 | 36,0 | 5,0 | 11,8 |
| 6000040 | 40 | | 40,0 | 38,0 | 5,0 | 11,7 |
| 6030040 | 40 | 3,0 | 40,0 | 36,4 | 5,0 | 11,7 |
| 6000042 | 42 | | 42,0 | 40,0 | 5,0 | 11,5 |
| 6000045 | 45 | | 45,3 | 43,7 | 5,0 | 15,0 |
| 6030046 | 46 | 1,5 - 3,5 | 45,9 | 43,5 | 4,7 | 11,7 |
| 6020048 | 48 | 1,5 - 2,5 | 48,0 | 45,6 | 5,1 | 18,0 |
| 6030048 | 48 | 3,0 - 4,0 | 48,0 | 44,2 | 5,1 | 17,8 |
| 6000050 | 50 | 1,5 - 2,5 | 50,0 | 47,9 | 5,2 | 16,0 |
| 6010050 | 50 | 0,8 - 1,5 | 50,0 | 49,0 | 5,2 | 11,7 |
| 6030050 | 50 | 2,5 - 3,5 | 50,0 | 45,5 | 5,2 | 17,5 |
| 6050050 | 50 | 4,0 - 5,0 | 50,0 | 44,1 | 5,2 | 17,5 |
| 6000051 | 51 | 1,5 - 2,5 | 51,2 | 48,9 | 4,8 | 11,5 |
| 6010051 | 51 | 2,0 - 3,5 | 51,1 | 48,0 | 4,6 | 15,8 |
| 6030051 | 51 | 3,0 - 4,0 | 51,2 | 45,5 | 4,6 | 17,5 |
| 6050051 | 51 | 4,5 - 5,5 | 51,2 | 44,1 | 4,6 | 17,5 |
| 6000055 | 55 | | 55,0 | 53,7 | 4,7 | 13,7 |
| 6020055 | 55 | 1,0 - 3,0 | 55,0 | 53,9 | 5,0 | 14,5 |
| 6020060 | 60 | 1,5 - 2,5 | 60,0 | 58,5 | 5,3 | 21,4 |
| 6030060 | 60 | 3,0 - 4,0 | 60,0 | 55,6 | 5,3 | 21,3 |
| 6000065 | 65 | 1,5 - 3,5 | 65,0 | 63,0 | 5,0 | 21,0 |
| 6000070 | 70 | | 70,0 | 68,5 | 5,3 | 21,0 |
| 6010070 | 70 | 1,0 - 3,5 | 70,0 | 68,7 | 5,0 | 21,0 |
| 6020070 | 70 | 2,0 - 4,5 | 70,0 | 67,0 | 5,3 | 21,0 |
| 6030075 | 75 | 3,0 - 5,0 | 75,0 | 70,4 | 6,0 | 21,0 |
| 6020076 | 76 | 1,5 - 2,5 | 76,0 | 73,8 | 5,0 | 21,5 |
| 6030076 | 76 | 3,0 - 4,0 | 76,0 | 71,6 | 5,0 | 22,0 |
| 6000080 | 80 | 1,5 - 2,0 | 80,0 | 78,5 | 6,5 | 17,5 |
| 6030080 | 80 | 3,0 - 5,5 | 80,0 | 86,5 | 6,0 | 21,0 |
| 6030090 | 90 | 2,5 - 5,0 | 90,0 | 98,7 | 5,0 | 20,0 |
| 6020102 | 102 | 2,0 - 4,0 | 102,0 | 116,5 | 5,0 | 20,0 |
| 6020108 | 108 | 2,9 - 5,0 | 107,7 | 103,3 | 6,0 | 29,0 |
| 6020114 | 114,3 | 3,2 - 5,5 | 114,0 | 108,6 | 6,4 | 29,0 |
| 6020120 | 120 | 2,0 - 4,0 | 119,5 | 116,5 | 5,6 | 28,0 |
| 6020125 | 125 | 2,0 - 6,0 | 124,4 | 123,0 | 6,0 | 33,5 |
| 6020130 | 130 | 2,0 - 6,0 | 130,0 | 127,0 | 6,0 | 33,5 |
| 6020140 | 140 | 2,0 - 6,5 | 140,0 | 138,0 | 6,0 | 33,5 |
| 6020150 | 150 | 2,0 - 7,0 | 150,7 | 148,0 | 6,0 | 33,5 |