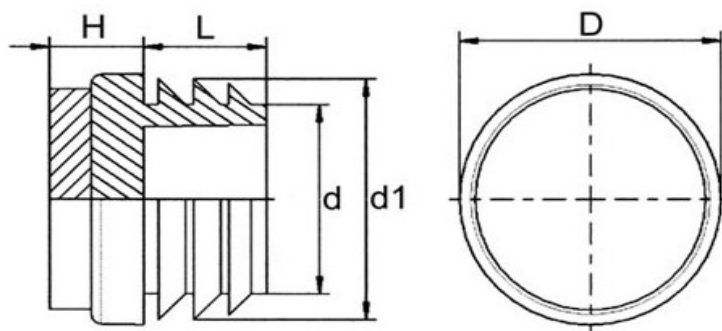


Grupa GFL

Zaślepki

do okrągłych rur, wsuwane, płaskie, z "przyspawanym" filcem



Materiał: PE

Kolory standardowe: czarny

| Numer katalogowy | Średnica x grubość ścianki rury | | D [mm] | H [mm] | d [mm] | L [mm] | d1 [mm] |
|------------------|---------------------------------|--|--------|--------|--------|--------|---------|
| | | | | | | | |
| 6000015/FI | 15 x 1,5-2,0 | | 15,0 | 7,0 | 8,0 | 9,6 | 13,2 |
| 6000016/FI | 16 x 1,5-2,0 | | 16,0 | 7,0 | 10,0 | 10,0 | 14,1 |
| 6000018/FI | 18 x 1,5-2,0 | | 18,0 | 7,0 | 13,3 | 12,0 | 16,8 |
| 6000019/FI | 19 x 1,5-2,0 | | 19,0 | 7,0 | 14,2 | 11,0 | 17,8 |
| 6000020/FI | 20 x 1,5-2,0 | | 20,0 | 7,0 | 15,1 | 12,0 | 19,0 |
| 6000022/FI | 22 x 1,5-2,0 | | 22,0 | 7,0 | 15,8 | 11,8 | 20,6 |
| 6000025/FI | 25 x 1,5-2,0 | | 25,0 | 8,0 | 18,8 | 11,8 | 24,0 |
| 6000028/FI | 28 x 1,5-2,0 | | 28,0 | 8,0 | 21,5 | 14,0 | 27,0 |
| 6000030/FI | 30 x 1,5-2,0 | | 30,0 | 8,0 | 23,4 | 14,0 | 29,0 |
| 6000032/FI | 32 x 1,5-2,0 | | 32,0 | 8,0 | 26,3 | 14,5 | 30,5 |

Uwaga

Grubość filcu standardowo wynosi ok. 3 mm